



Connector Solutions

Reliable connectivity solutions and more.

2024-v2

Who Are We?

TTAF, established in Istanbul in 2003, is a specialized organization that has gained trust and admiration both in Turkey and worldwide with its custom product designs and solutions tailored to various needs, particularly in advanced technology connection elements and cable bundling.

With over a quarter-century of experience and expertise, TTAF aims to provide its customers with the highest quality products through its state-of-the-art machinery and superior service approach. It offers a wide range of complete system solutions and exports to 70 countries.

Operating under the principle of "Customer Satisfaction First," TTAF continues its production activities at its facilities in Istanbul.



We Design, Develop & Manufacture.





Project & Design

Connectors designed for various industrial applications enable quick and secure electrical connections. These solutions are used in many fields, from high-performance machinery to industrial automation systems. In this regard, our company offers a wide range of connectors. Our industrial connectors can be customized according to the needs of businesses and are designed to meet different application requirements.

R & D

Our connectors can be manufactured in different sizes, pin counts, and terminals according to customer demands. Additionally, we adopt a sustainable approach by using eco-friendly materials. This allows us to offer our customers high-quality, reliable, and environmentally friendly connector solutions.



Test

We work with meticulous attention beyond standards to produce products that offer high quality, performance, and safe user experience. Before the production process, we subject all our products to electrical and rigorous climatic conditions in TTAF laboratories, without risking the test steps to be conducted in accredited test laboratories. This enables us to provide a time advantage in the product certification processes.

Production

TTAF's production line, which offers the privilege of customization according to our customers' needs, adds value to the production process with our production and quality control teams.



CONTENT



1

TT SERIES Waterproof Connector Series 9

TT30 Data Series	10-13
TT20 Series	14
TT25 Series	15
TT30 Series	16
TT35 Series	17
TT12 Series	18-39

2

WPT-WPI-WPM-WPF-WPP SERIES Waterproof Connector Series 40

WPI Series	42-48
WPT Series	49-53
WPM - WPF- WPP Series	54-57
WPI Series	58-63
WPP Series	64-65

3

WPS-WPA SERIES Waterproof Connector Series 66

2 Pin Male/Female Pluggable Electrical Splitter	67-68
3 Pin Male/Female Pluggable Electrical Splitter	69-70
4 Pin Male/Female Pluggable Electrical Splitter	71-72
3 Pin Screw Connection Electrical Splitter	73
3 Pin Screw Connection Electrical Splitter	74

4

WP BOX SERIES Waterproof Power Splitter Series 75

IP Box WP-BOX-04.....	76
IP Box WP-BOX-05.....	77

5

KLM SERIES Terminal Block Series 78

KLM-39 KLM-40 KLM-41 KLM-64	79-82
KLM-47 KLM-48 KLM-49 KLM-50	83-86
KLM-29-SY KLM-29-G	87-88
KLM-51 KLM-52 KLM-53 KLM-54	89-92
KLM-57 KLM-58 KLM-59 KLM-60 KLM-61	93-97
KLM-55 KLM-56	98-99
KLM-62 KLM-63	100-101
KLM-65 KLM-66 KLM-67 KLM-68 KLM-69 KLM-70	102-107

PRODUCT CODE



TT SERIES

TT	30	M	03	PE	0	1	001
1	2	3	4	5	6	7	8

1	Product Name	Name of Product
2	Mounting Size	20 - 25 - 30 - 35
3	Type of Terminal	M: Male, F: Female, U: USB, R: RJ45, F: Fiber Optic
4	Quantity of Terminal	2 - 3 - 4 - 7 - 9 vs.
5	Category	PE: Panel Type, SX: Cable Type
6	Connection of Wire	0: Solder
7	Generation	1
8	Special Code	Material Color



EN 60309-1
EN 60695-2
EN 61984-2009

TT30 DATA SERIES

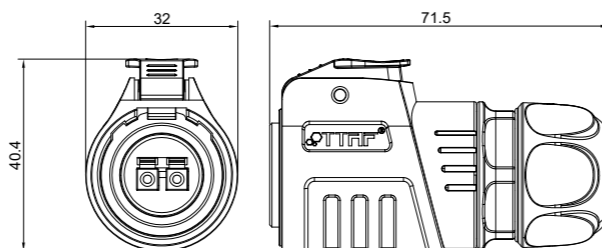
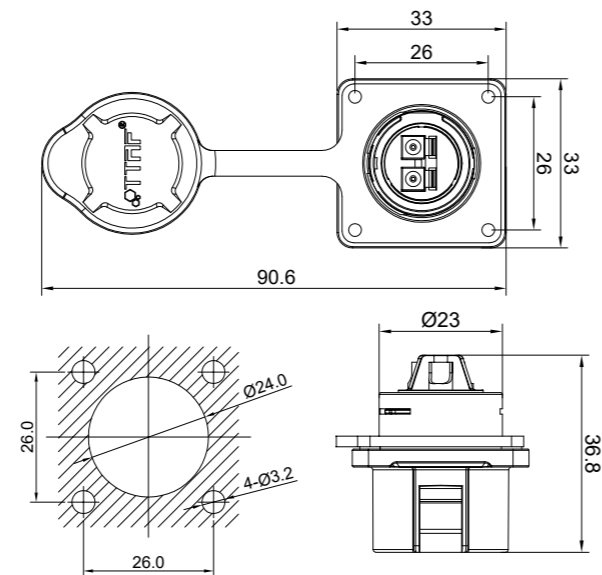


TT30 DATA SERIES

Waterproof Fiber LC DX Pluggable Connector

Product Code - TT 30 Series Fiber

EN 60309-1
EN 60695-2
EN 61984-2009

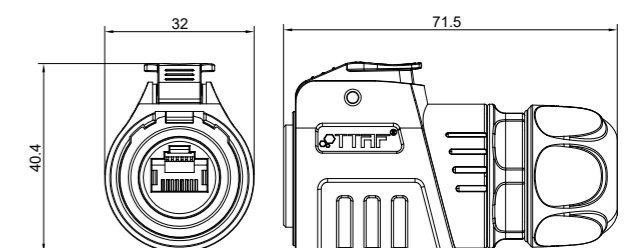
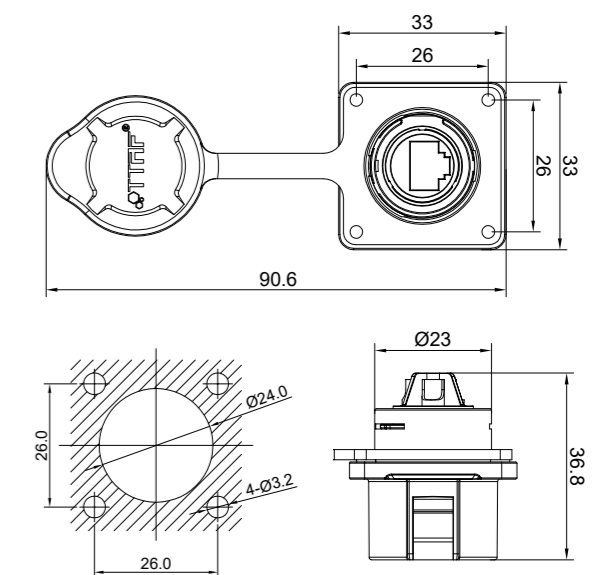


Type	Fiber
Connection Type	Field-Installable
Durability	500
Housing Material	PBT, Black
Cable Outer Diameter	2 mm - 8.4 mm
Operating Temperature	-40°C- 80°C
IP Class	IP65/IP67

Waterproof RJ45 Pluggable Connector

Product Code - TT 30 Series RJ45

EN 60309-1
EN 60695-2
EN 61984-2009



Type	RJ45
Connection Type	Field-Installable
Durability	500
Current Rating	1.5A.
Withstanding Voltage	1000V.
Contact Resistance	< 30 MΩ
Housing Material	PBT, Black
Cable Specifications	Cat5e - Cat6a - Cat7
Cable Outer Diameter	5.5 mm - 6.60 mm
Operating Temperature	-40°C- 80°C
IP Class	IP65/IP67

TT30 DATA SERIES

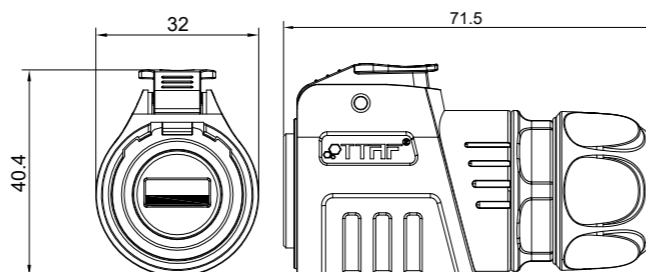
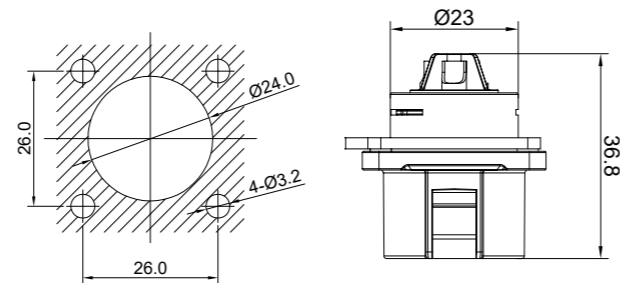
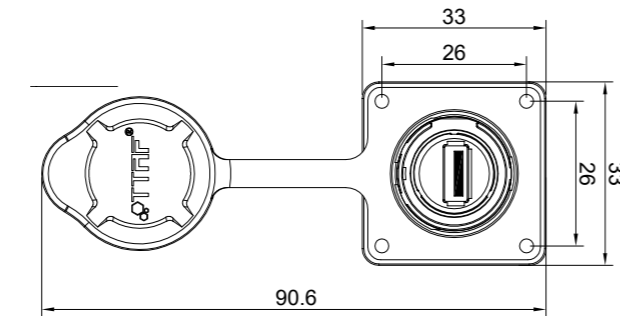


TT30 DATA SERIES

Waterproof USB Pluggable Connector

Product Code - TT 30 Series USB

EN 60309-1
EN 60695-2
EN 61984-2009

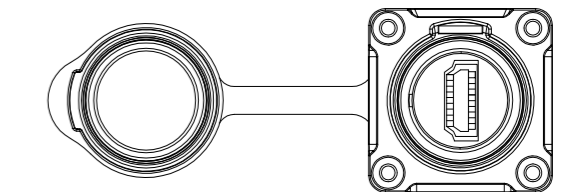
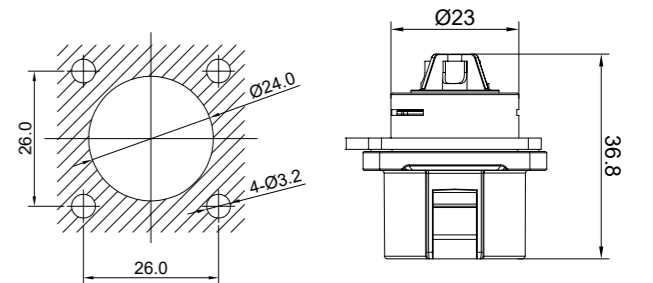
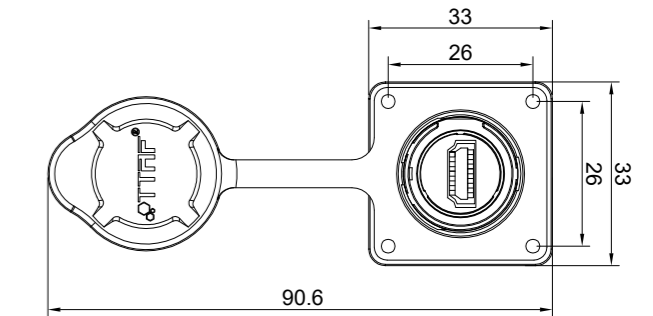
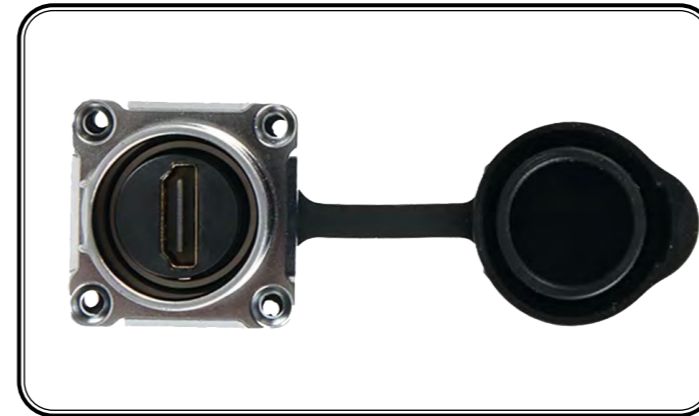


Type	USB
Connection Type	Field-Installable
Durability	500
Housing Material	PBT, Black
Cable Specifications	0.08*-0.2 mm ² / 28-24 AWG
Cable Outer Diameter	5.5 mm
Operating Temperature	-40°C- 80°C
IP Class	IP65/IP67

Waterproof HDMI Pluggable Connector

Product Code - TT 30 Series

EN 60309-1
EN 60695-2
EN 61984-2009



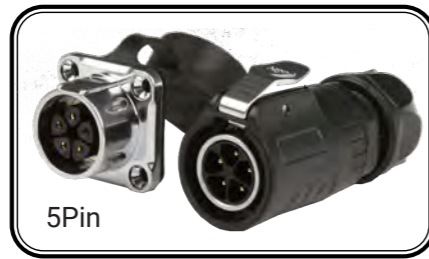
Type	HDMI
Connection Type	Field-Installable
Durability	500
Housing Material	PBT, Black
Cable Specifications	0.15*-0.2 mm ² / 26-24 AWG
Cable Outer Diameter	5.5 mm - 7 mm
Operating Temperature	-40°C- 80°C
IP Class	IP67

TT20 SERIES

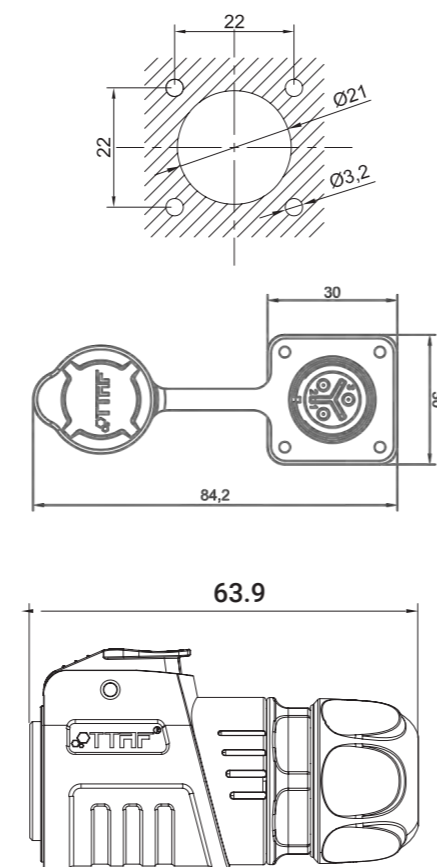
2-3-4-5-7-9-12 Pin Waterproof Connector

Product Code - TT20 Series

EN 60309-1
EN 60695-2
EN 61984-2009



Number of Pins	2-3-4	5-7	9-12
Operating Voltage	500V.	500V.	400V.
Current Rating	20A.	12A.	5A.
Withstanding Voltage	2500V.	2500V.	1500V.
Contact Resistance	< 1 MΩ	< 2.5 MΩ	< 5 MΩ
Temperature Rise	20A 30°C	12A 30°C	5A 30°C
Temperature Rise	25A 40°C	15A 40°C	7A 40°C
Temperature Rise	30A 50°C	20A 50°C	10A 50°C
Durability	1700	1700	1700
Seal Material	Silicone	Silicone	Silicone
Contact Dimension	2.7*2-2.7*3-2.7*4	1.8*5-1.8*7	1.0*9-1.0*12
IP Class	IP65/IP67	IP65/IP67	IP65/IP67



TT25 SERIES

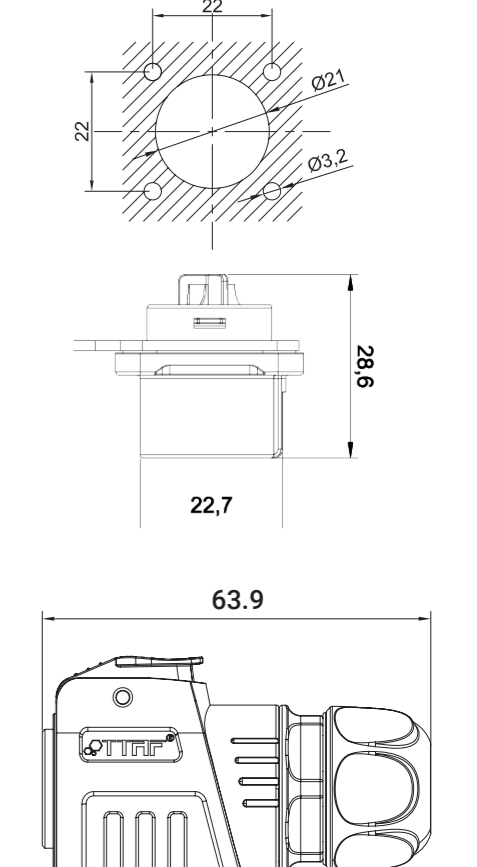
2-3-4-5-7-9-12 Pin Waterproof Connector

Product Code - TT25 Series

EN 60309-1
EN 60695-2
EN 61984-2009



Number of Pins	2-3-4	5-7	9-12
Operating Voltage	500V.	500V.	400V.
Current Rating	20A.	12A.	5A.
Withstanding Voltage	2500V.	2500V.	1500V.
Contact Resistance	< 1 MΩ	< 2.5 MΩ	< 5 MΩ
Temperature Rise	20A 30°C	12A 30°C	5A 30°C
Temperature Rise	25A 40°C	15A 40°C	7A 40°C
Temperature Rise	30A 50°C	20A 50°C	10A 50°C
Durability	1700	1700	1700
Seal Material	Silicone	Silicone	Silicone
Contact Dimension	2.7*2-2.7*3-2.7*4	1.8*5-1.8*7	1.0*9-1.0*12
IP Class	IP65/IP67	IP65/IP67	IP65/IP67



TT30 SERIES

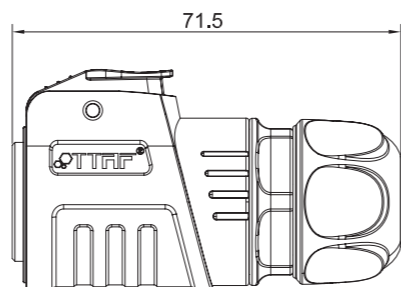
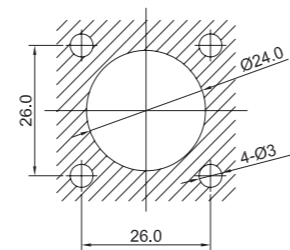
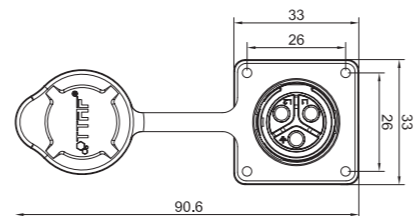
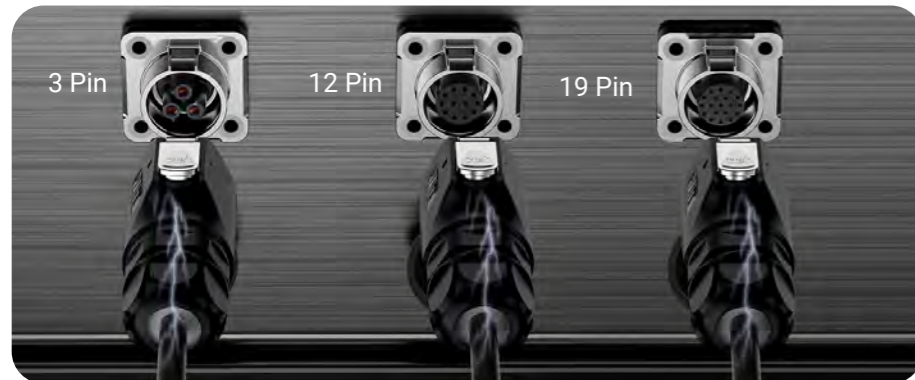
3-4-10-12-19-24 Pin Waterproof Connector

Product Code - TT30 Series

EN 60309-1

EN 60695-2

EN 61984-2009



Number of Pins	3-4	10-12	19-24
Operating Voltage	500V.	250V.	125V.
Current Rating	22A.	10A.	3A.
Withstanding Voltage	2500V.	2500V.	1500V.
Contact Resistance	<1 MΩ	<3 MΩ	<5 MΩ
Temperature Rise	20A 30°C	10A 30°C	3A 30°C
Temperature Rise	25A 40°C	15A 40°C	7A 40°C
Temperature Rise	30A 50°C	20A 50°C	10A 50°C
Durability	1700	1700	1700
Seal Material	Silicone	Silicone	Silicone
Contact Dimension	3.0*3-3.0*4	1.5*10-1.5*12	1.0*1.9-1.0*2.4
IP Class	IP65/IP67	IP65/IP67	IP65/IP67

TT35 SERIES

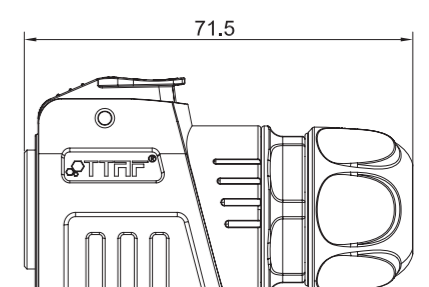
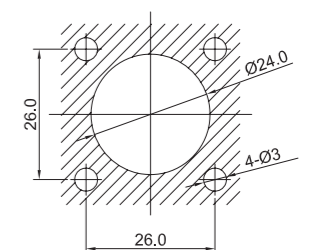
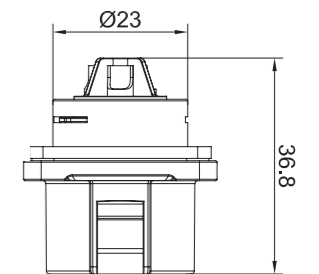
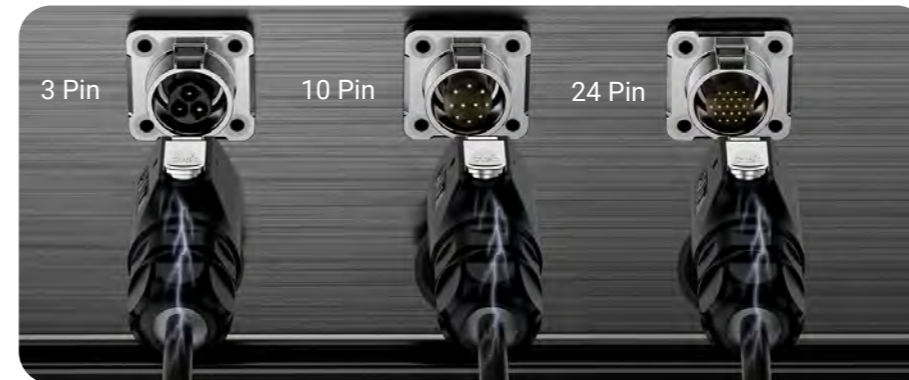
3-4-10-12-19-24 Pin Waterproof Connector

Product Code - TT35

EN 60309-1

EN 60695-2

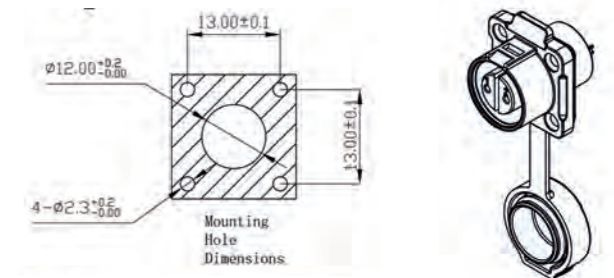
EN 61984-2009



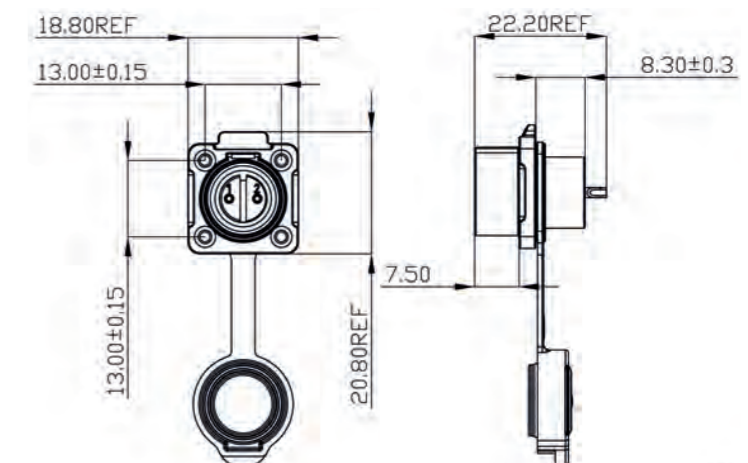
Number of Pins	3-4	10-12	19-24
Operating Voltage	500V.	250V.	125V.
Current Rating	22A.	10A.	3A.
Withstanding Voltage	2500V.	2500V.	1500V.
Contact Resistance	< 1 MΩ	< 3 MΩ	< 5 MΩ
Temperature Rise	20A 30°C	10A 30°C	3A 30°C
Temperature Rise	25A 40°C	15A 40°C	7A 40°C
Temperature Rise	30A 50°C	20A 50°C	10A 50°C
Durability	1700	1700	1700
Seal Material	Silicone	Silicone	Silicone
Contact Dimension	3.0*3-3.0*4	1.5*10-1.5*12	1.0*1.9-1.0*2.4
IP Class	IP65/IP67	IP65/IP67	IP65/IP67



M12 2 Pin Panel Type Female Plug Connector
 Product code - TT12-02F-PE
 Waterproof Connector Series



Number of Pins	2
Housing Material	PBT High Performance
IP Class	IP67
Rated Current	5A
Rated Voltage	AC 125V
Withstand Voltage	AC 1500V
Fire Rating	UL94 V-0
Wire Section	0.5mm ² / 20 AWG
Operating Temperature	-40°C ~ +85°C
Certificates	TUV / RoHS / CE
Mating Cycle	≥1900



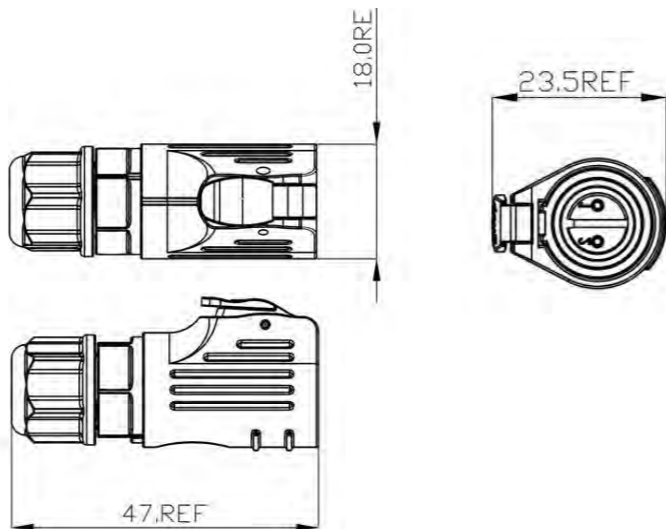
TT12 SERIES

M12 2 Pin Cable Type Female Socket Connector

Product Code - TT12-02F-SX
Waterproof Connector Series



Number of Pins	2
Housing Material	PBT High Performance
IP Class	IP67
Rated Current	5A
Rated Voltage	AC 125V
Withstand Voltage	AC 1500V
Fire Rating	UL94 V-0
Wire Section	0.5mm ² / 20 AWG
Operating Temperature	-40°C ~ +85°C
Certificates	TUV / RoHS / CE
Mating Cycle	≥1900



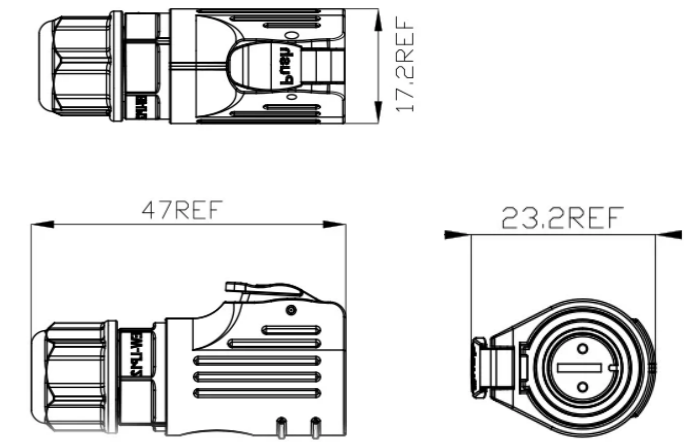
TT12 SERIES

M12 2 Pin Cable Type Male Socket Connector

Product Code - TT12-02M-SX
Waterproof Connector Series



Number of Pins	2
Housing Material	PBT High Performance
IP Class	IP67
Rated Current	5A
Rated Voltage	AC 125V
Withstand Voltage	AC 1500V
Fire Rating	UL94 V-0
Wire Section	0.5mm ² / 20 AWG
Operating Temperature	-40°C ~ +85°C
Certificates	TUV / RoHS / CE
Mating Cycle	≥1900

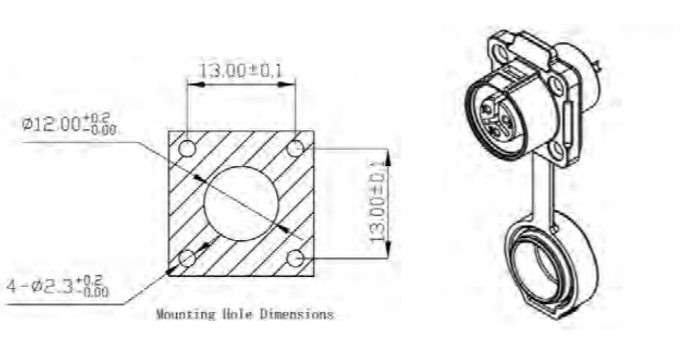


TT12 SERIES

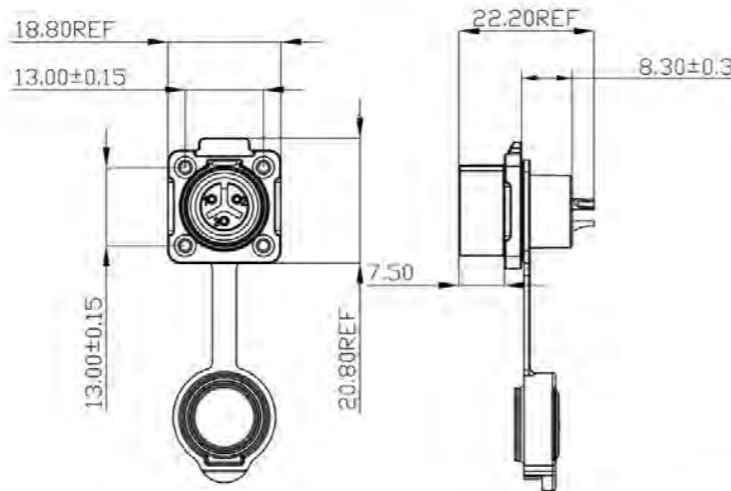
M12 3 Pin Panel Type Female Plug Connector

Product Code - TT12-03F-PE

Waterproof Connector Series



Number of Pins	3
Housing Material	PBT High Performance
IP Class	IP67
Rated Current	5A
Rated Voltage	AC 125V
Withstand Voltage	AC 1500V
Fire Rating	UL94 V-0
Wire Section	0.5mm ² / 20 AWG
Operating Temperature	-40°C ~ +85°C
Certificates	TUV / RoHS / CE
Mating Cycle	≥1900



TT12 SERIES

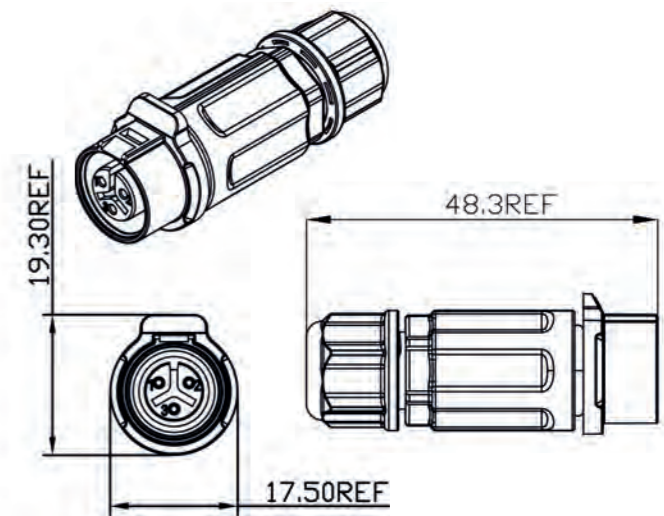
M12 3 Pin Cable Type Female Socket Connector

Product Code - TT12-03F-SX

Waterproof Connector Series



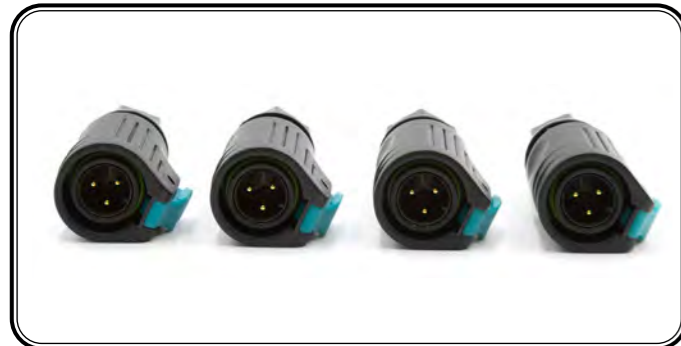
Number of Pins	3
Housing Material	PBT High Performance
IP Class	IP67
Rated Current	5A
Rated Voltage	AC 125V
Withstand Voltage	AC 1500V
Fire Rating	UL94 V-0
Wire Section	0.5mm ² / 20 AWG
Operating Temperature	-40°C ~ +85°C
Certificates	TUV / RoHS / CE
Mating Cycle	≥1900



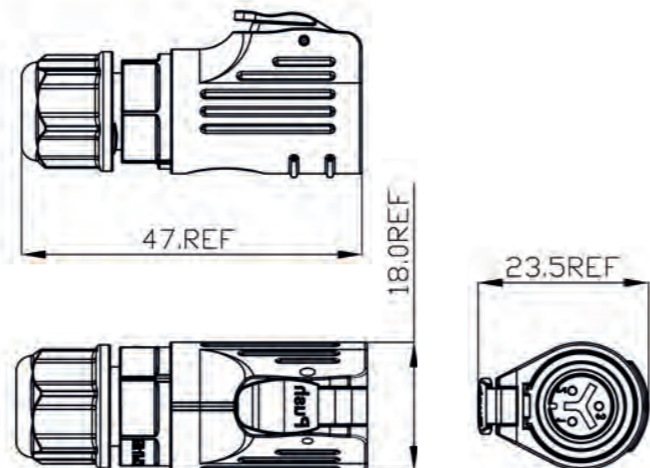
TT12 SERIES

M12 3 Pin Cable Type Male Socket Connector

Product Code - TT12-03M-SX
Waterproof Connector Series



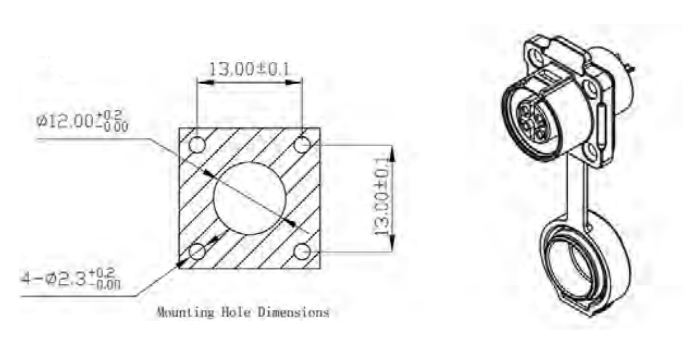
Number of Pins	3
Housing Material	PBT High Performance
IP Class	IP67
Rated Current	5A
Rated Voltage	AC 125V
Withstand Voltage	AC 1500V
Fire Rating	UL94 V-0
Wire Section	0.5mm ² / 20 AWG
Operating Temperature	-40°C ~ +85°C
Certificates	TUV / RoHS / CE
Mating Cycle	≥1900



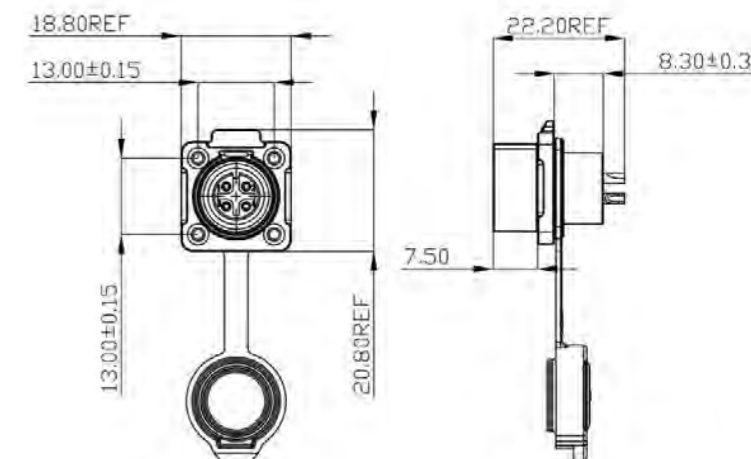
TT12 SERIES

M12 4 Pin Panel Type Female Plug Connector

Product Code - TT12-04F-PE
Waterproof Connector Series



Number of Pins	4
Housing Material	PBT High Performance
IP Class	IP67
Rated Current	5A
Rated Voltage	AC 125V
Withstand Voltage	AC 1500V
Fire Rating	UL94 V-0
Wire Section	0.5mm ² / 20 AWG
Operating Temperature	-40°C ~ +85°C
Certificates	TUV / RoHS / CE
Mating Cycle	≥1900



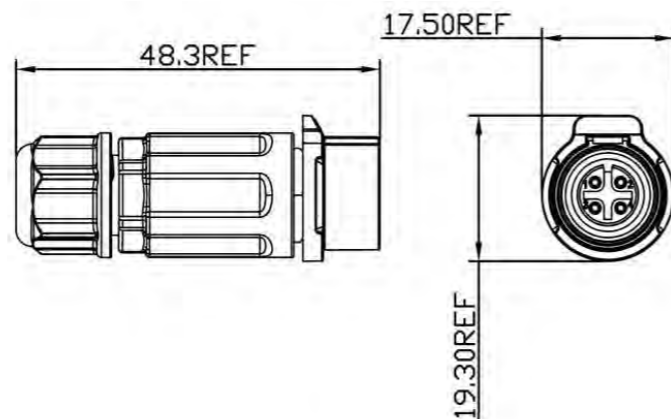
TT12 SERIES

M12 4 Pin Cable Type Female Socket Connector

Product Code - TT12-04F-SX
Waterproof Connector Series



Number of Pins	4
Housing Material	PBT High Performance
IP Class	IP67
Rated Current	5A
Rated Voltage	AC 125V
Withstand Voltage	AC 1500V
Fire Rating	UL94 V-0
Wire Section	0.5mm ² / 20 AWG
Operating Temperature	-40°C ~ +85°C
Certificates	TUV / RoHS / CE
Mating Cycle	≥1900



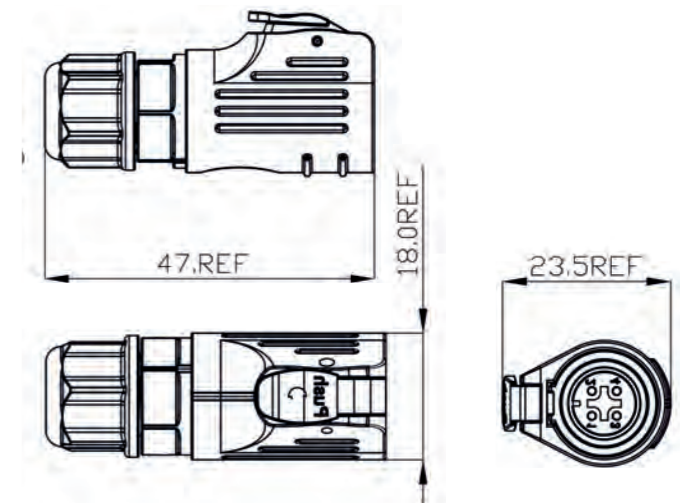
TT12 SERIES

M12 4 Pin Cable Type Male Socket Connector

Product Code - TT12-04M-SX
Waterproof Connector Series



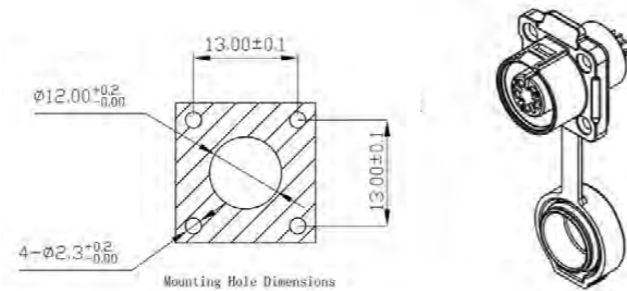
Number of Pins	4
Housing Material	PBT High Performance
IP Class	IP67
Rated Current	5A
Rated Voltage	AC 125V
Withstand Voltage	AC 1500V
Fire Rating	UL94 V-0
Wire Section	0.5mm ² / 20 AWG
Operating Temperature	-40°C ~ +85°C
Certificates	TUV / RoHS / CE
Mating Cycle	≥1900



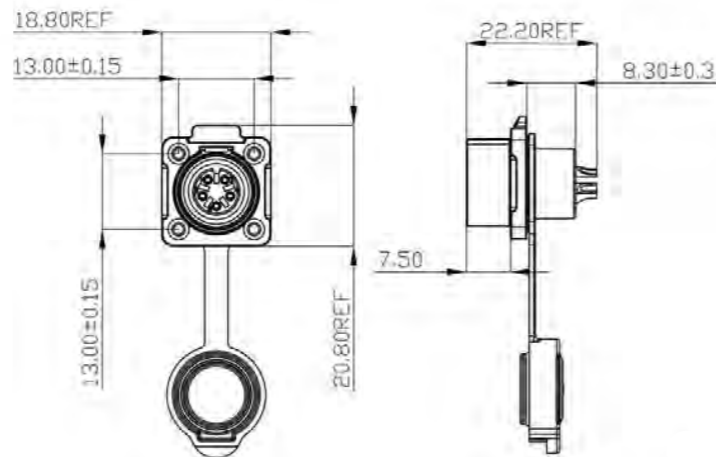
TT12 SERIES

M12 5 Pin Panel Type Female Plug Connector

Product Code - TT12-05F-PE
Waterproof Connector Series



Number of Pins	5
Housing Material	PBT High Performance
IP Class	IP67
Rated Current	5A
Rated Voltage	AC 125V
Withstand Voltage	AC 1500V
Fire Rating	UL94 V-0
Wire Section	0.5mm ² / 20 AWG
Operating Temperature	-40°C ~ +85°C
Certificates	TUV / RoHS / CE
Mating Cycle	≥1900



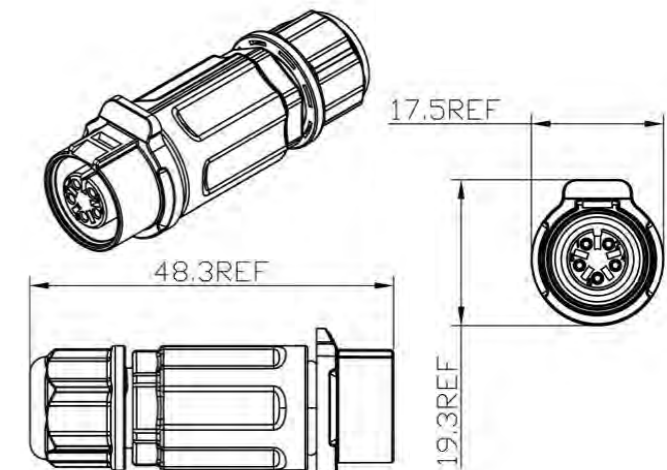
TT12 SERIES

M12 5 Pin Cable Type Female Socket Connector

Product Code - TT12-05F-SX
Waterproof Connector Series



Number of Pins	5
Housing Material	PBT High Performance
IP Class	IP67
Rated Current	5A
Rated Voltage	AC 125V
Withstand Voltage	AC 1500V
Fire Rating	UL94 V-0
Wire Section	0.5mm ² / 20 AWG
Operating Temperature	-40°C ~ +85°C
Certificates	TUV / RoHS / CE
Mating Cycle	≥1900



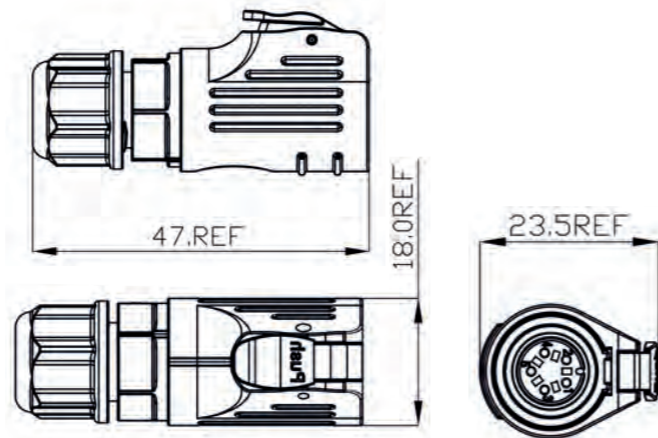
TT12 SERIES

M12 5 Pin Cable Type Male Socket Connector

Product Code - TT12-05M-SX
Waterproof Connector Series



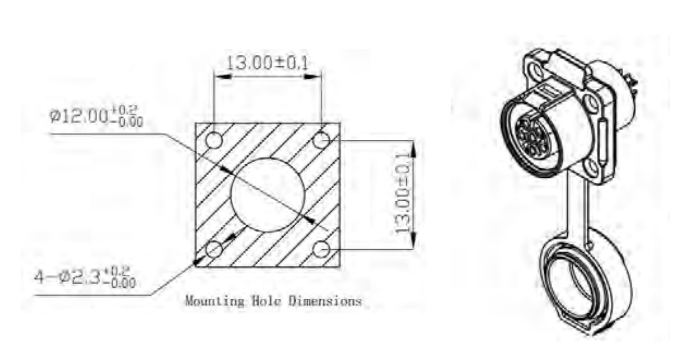
Number of Pins	5
Housing Material	PBT High Performance
IP Class	IP67
Rated Current	5A
Rated Voltage	AC 125V
Withstand Voltage	AC 1500V
Fire Rating	UL94 V-0
Wire Section	0.5mm ² / 20 AWG
Operating Temperature	-40°C ~ +85°C
Certificates	TUV / RoHS / CE
Mating Cycle	≥1900



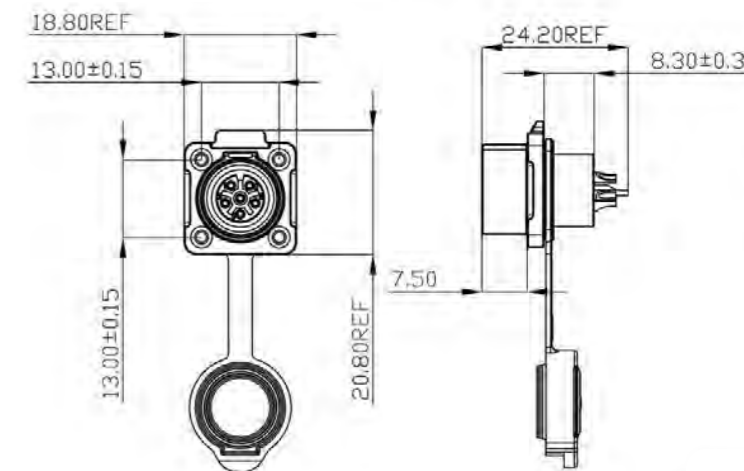
TT12 SERIES

M12 6 Pin Panel Type Female Plug Connector

Product Code - TT12-06F-PE
Waterproof Connector Series



Number of Pins	6
Housing Material	PBT High Performance
IP Class	IP67
Rated Current	5A
Rated Voltage	AC 125V
Withstand Voltage	AC 1500V
Fire Rating	UL94 V-0
Wire Section	0.5mm ² / 20 AWG
Operating Temperature	-40°C ~ +85°C
Certificates	TUV / RoHS / CE
Mating Cycle	≥1900



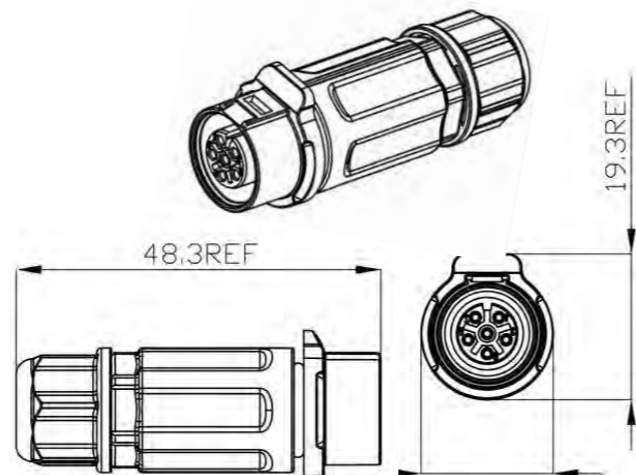
TT12 SERIES

M12 6 Pin Cable Type Female Socket Connector

Product Code - TT12-06F-SX
Waterproof Connector Series



Number of Pins	6
Housing Material	PBT High Performance
IP Class	IP67
Rated Current	5A
Rated Voltage	AC 125V
Withstand Voltage	AC 1500V
Fire Rating	UL94 V-0
Wire Section	0.5mm ² / 20 AWG
Operating Temperature	-40°C ~ +85°C
Certificates	TUV / RoHS / CE
Mating Cycle	≥1900



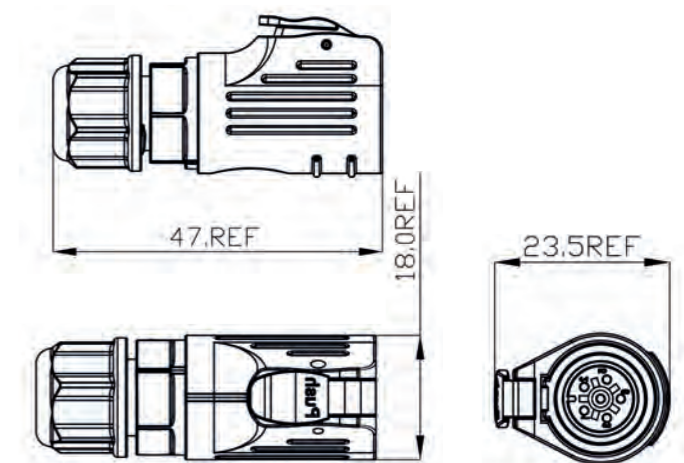
TT12 SERIES

M12 6 Pin Cable Type Male Socket Connector

Product Code - TT12-06M-SX
Waterproof Connector Series



Number of Pins	6
Housing Material	PBT High Performance
IP Class	IP67
Rated Current	5A
Rated Voltage	AC 125V
Withstand Voltage	AC 1500V
Fire Rating	UL94 V-0
Wire Section	0.5mm ² / 20 AWG
Operating Temperature	-40°C ~ +85°C
Certificates	TUV / RoHS / CE
Mating Cycle	≥1900

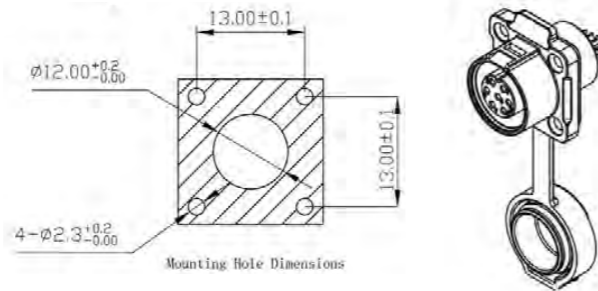


TT12 SERIES

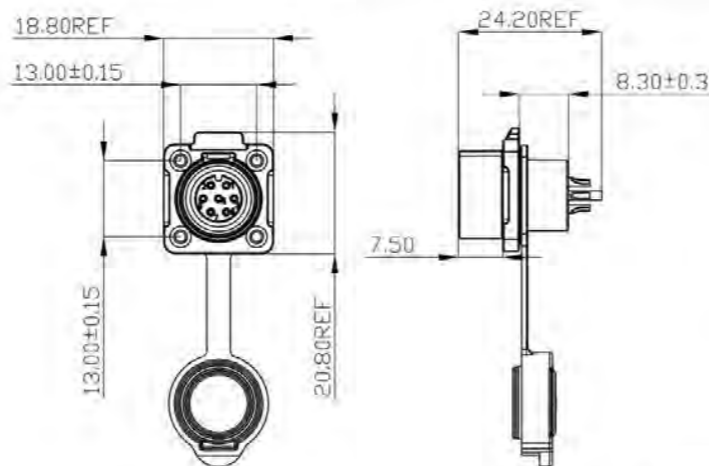
M12 7 Pin Panel Type Female Plug Connector

Product Code - TT12-07F-PE

Waterproof Connector Series



Number of Pins	7
Housing Material	PBT High Performance
IP Class	IP67
Rated Current	5A
Rated Voltage	AC 125V
Withstand Voltage	AC 1500V
Fire Rating	UL94 V-0
Wire Section	0.5mm ² / 20 AWG
Operating Temperature	-40°C ~ +85°C
Certificates	TUV / RoHS / CE
Mating Cycle	≥1900



TT12 SERIES

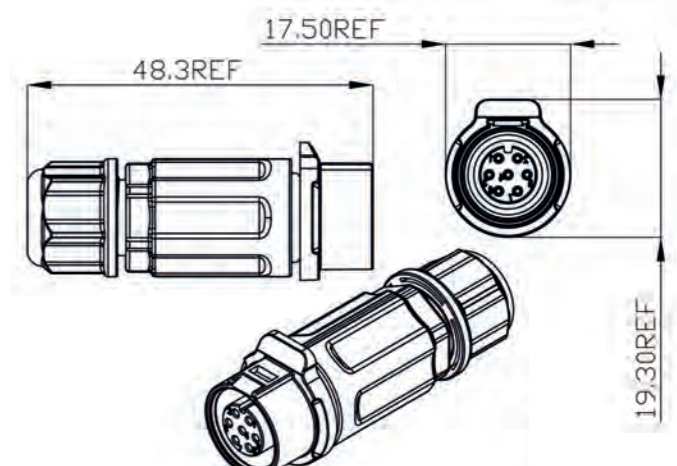
M12 7 Pin Cable Type Female Socket Connector

Product Code - TT12-07F-SX

Waterproof Connector Series



Number of Pins	7
Housing Material	PBT High Performance
IP Class	IP67
Rated Current	5A
Rated Voltage	AC 125V
Withstand Voltage	AC 1500V
Fire Rating	UL94 V-0
Wire Section	0.5mm ² / 20 AWG
Operating Temperature	-40°C ~ +85°C
Certificates	TUV / RoHS / CE
Mating Cycle	≥1900



TT12 SERIES



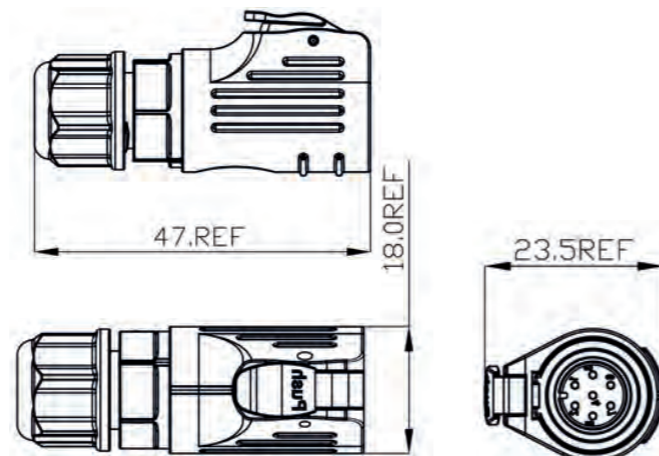
TT12 SERIES

M12 7 Pin Cable Type Male Socket Connector

Product Code - TT12-07M-SX
Waterproof Connector Series



Number of Pins	7
Housing Material	PBT High Performance
IP Class	IP67
Rated Current	5A
Rated Voltage	AC 125V
Withstand Voltage	AC 1500V
Fire Rating	UL94 V-0
Wire Section	0.5mm ² / 20 AWG
Operating Temperature	-40°C ~ +85°C
Certificates	TUV / RoHS / CE
Mating Cycle	≥1900

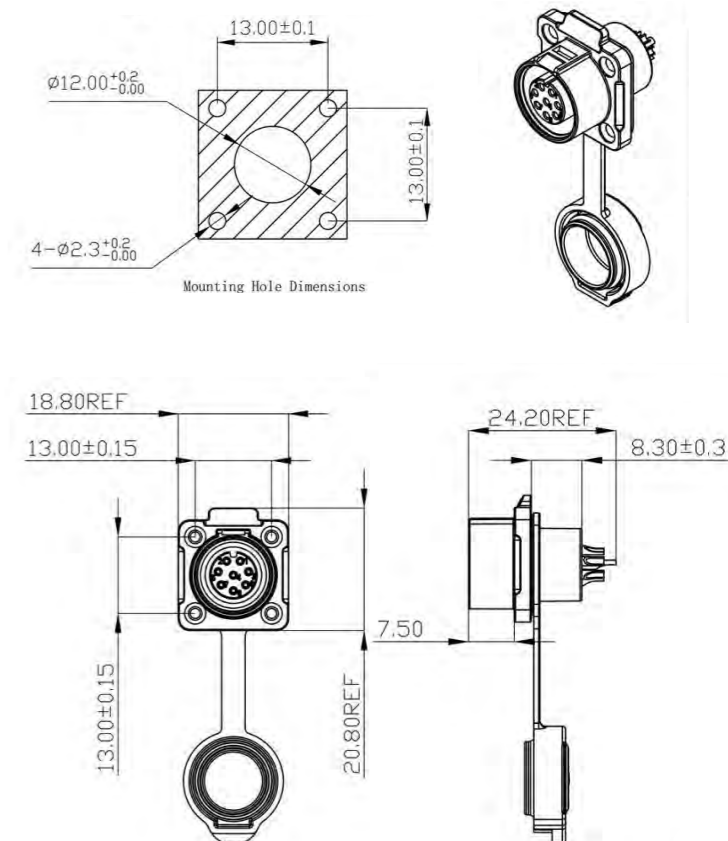


M12 8 Pin Panel Type Female Plug Connector

Product Code - TT12-08F-PE
Waterproof Connector Series



Number of Pins	8
Housing Material	PBT High Performance
IP Class	IP67
Rated Current	5A
Rated Voltage	AC 125V
Withstand Voltage	AC 1500V
Fire Rating	UL94 V-0
Wire Section	0.5mm ² / 20 AWG
Operating Temperature	-40°C ~ +85°C
Certificates	TUV / RoHS / CE
Mating Cycle	≥1900

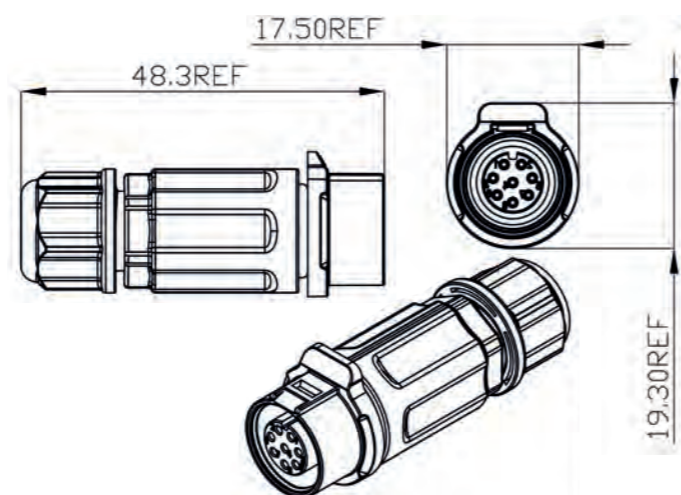


TT12 SERIES

M12 8 Pin Cable Type Female Socket Connector
 Product Code - TT12-08F-SX
 Waterproof Connector Series



Number of Pins	8
Housing Material	PBT High Performance
IP Class	IP67
Rated Current	5A
Rated Voltage	AC 125V
Withstand Voltage	AC 1500V
Fire Rating	UL94 V-0
Wire Section	0.5mm ² / 20 AWG
Operating Temperature	-40°C ~ +85°C
Certificates	TUV / RoHS / CE
Mating Cycle	≥1900

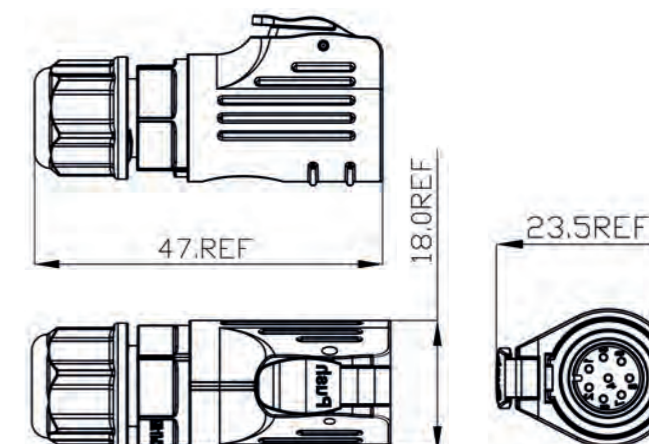


TT12 SERIES

M12 8 Pin Cable Type Male Socket Connector
 Product Code - TT12-08M-SX
 Waterproof Connector Series



Number of Pins	8
Housing Material	PBT High Performance
IP Class	IP67
Rated Current	5A
Rated Voltage	AC 125V
Withstand Voltage	AC 1500V
Fire Rating	UL94 V-0
Wire Section	0.5mm ² / 20 AWG
Operating Temperature	-40°C ~ +85°C
Certificates	TUV / RoHS / CE
Mating Cycle	≥1900



WATERPROOF CONNECTOR SERIES

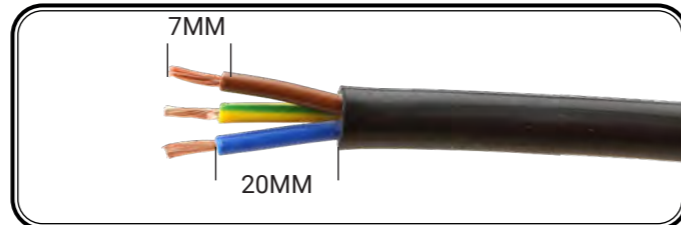
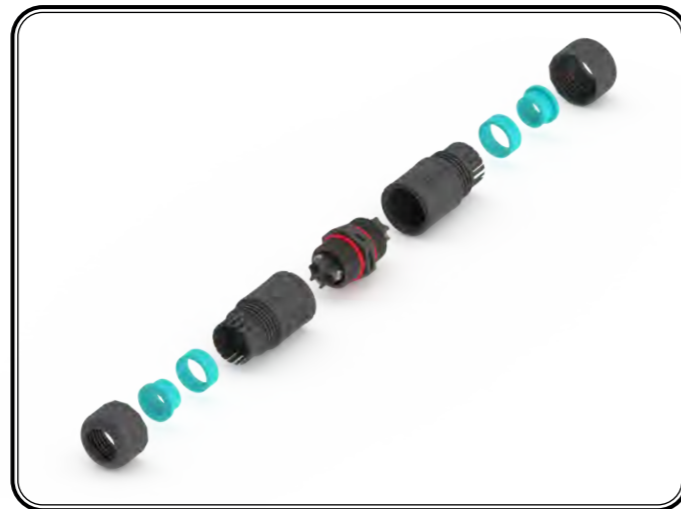


WPT-WPI-WPM WPF-WPP SERIES

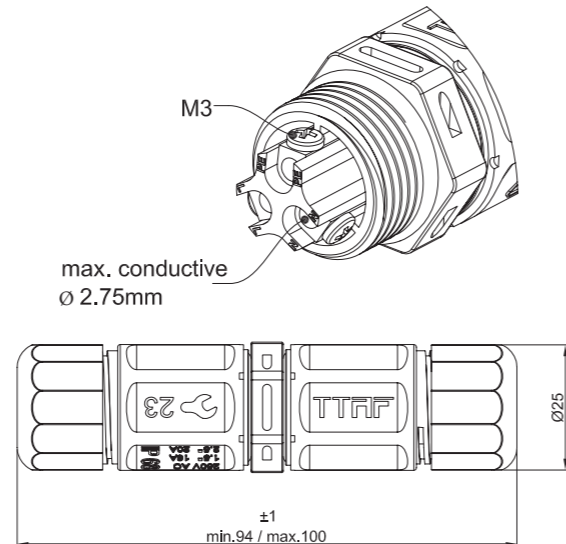


WPI SERIES

3 Pin I Field Assembly Screw Connection Connector
 Product Code - WPI-0302M20/14
 Waterproof Connector Series

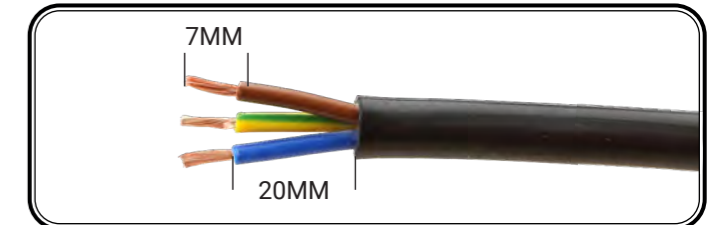
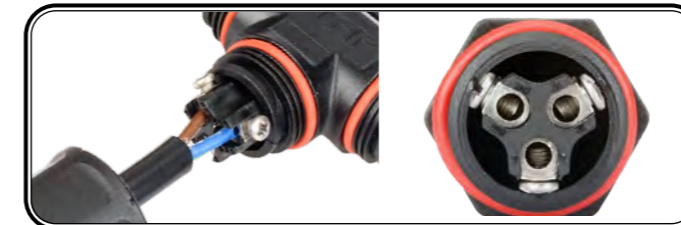


Number of Pins	3
Voltage Rating	250VAC max.
Current Rating	20A max.
Cable Cross Section Area	0,5mm ² ~ 2.5mm ²
Durability Voltage	1500VAC@60s.
Insulation Structure	500 MΩ at 500VDC
Contact Resistance	10 mΩ max.
Min. Cable Dimension OD	6mm
Max. Cable Dimension OD	10mm
Temperature Rating	-40°C ~ +85°C
IP Class	IP68 (10m / 60min)
Housing Material	PA6
Contact/Terminal Material	Brass - Nickel Plated
Seal Material	Silicone

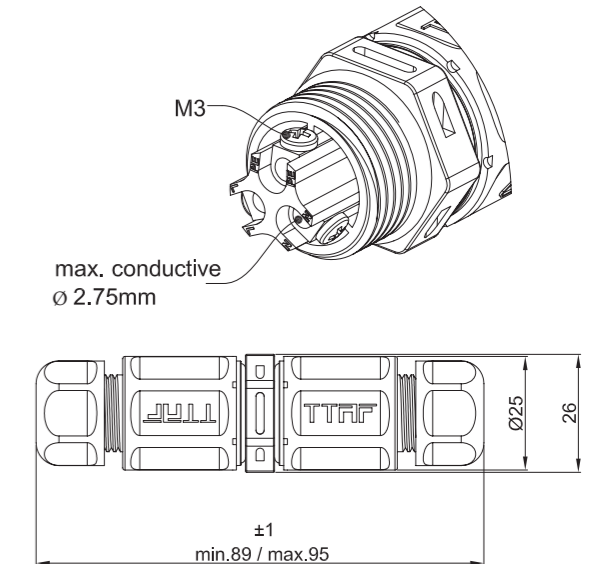


WPI SERIES

3 Pin I Field Assembly Screw Connection Connector
 Product Code - WPI-0302M20
 Waterproof Connector Series

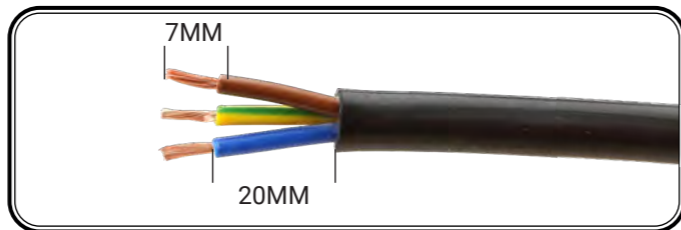
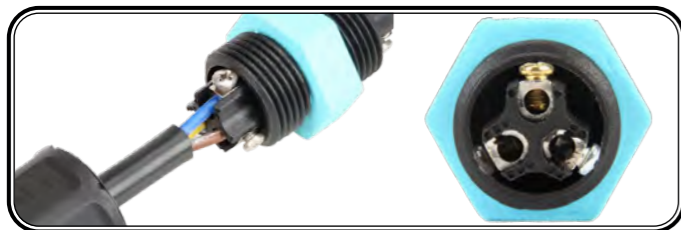


Number of Pins	3
Voltage Rating	250VAC max.
Current Rating	20A max.
Cable Cross Section Area	0,5mm ² ~ 2.5mm ²
Durability Voltage	1500VAC@60s.
Insulation Structure	500 MΩ at 500VDC
Contact Resistance	10 mΩ max.
Min. Cable Dimension OD	6mm
Max. Cable Dimension OD	10mm
Temperature Rating	-40°C ~ +85°C
IP Class	IP68 (10m / 60min)
Housing Material	PA6
Contact/Terminal Material	Brass - Nickel Plated
Seal Material	Silicone

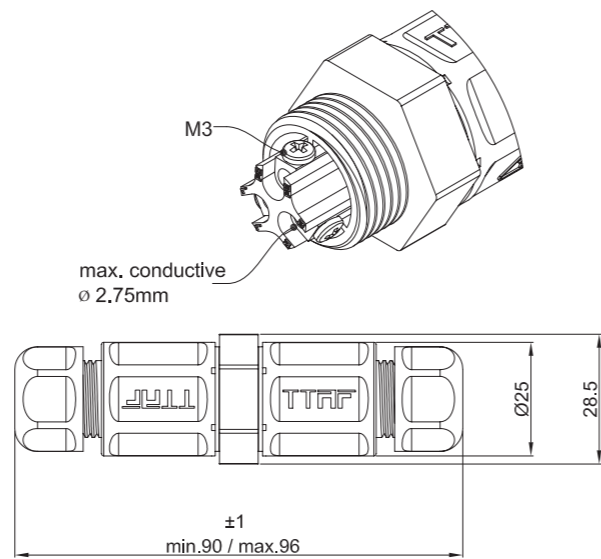


WPI SERIES

3 Pin I Field Assembly Screw Connection Connector
 Product Code - WPI-0302M20/U2
 Waterproof Connector Series

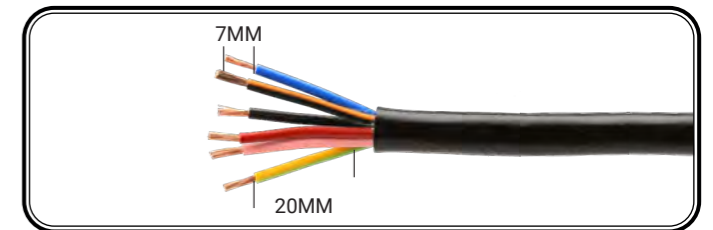


Number of Pins	3
Voltage Rating	250VAC max.
Current Rating	20A max.
Cable Cross Section Area	0,5mm ² ~ 2.5mm ²
Durability Voltage	1500VAC@60s.
Insulation Structure	500 MΩ at 500VDC
Contact Resistance	10 mΩ max.
Min. Cable Dimension OD	6mm
Max. Cable Dimension OD	10mm
Temperature Rating	-40°C ~ +85°C
IP Class	IP68 (10m / 60min)
Housing Material	PA6
Contact/Terminal Material	Brass - Nickel Plated
Seal Material	Silicon

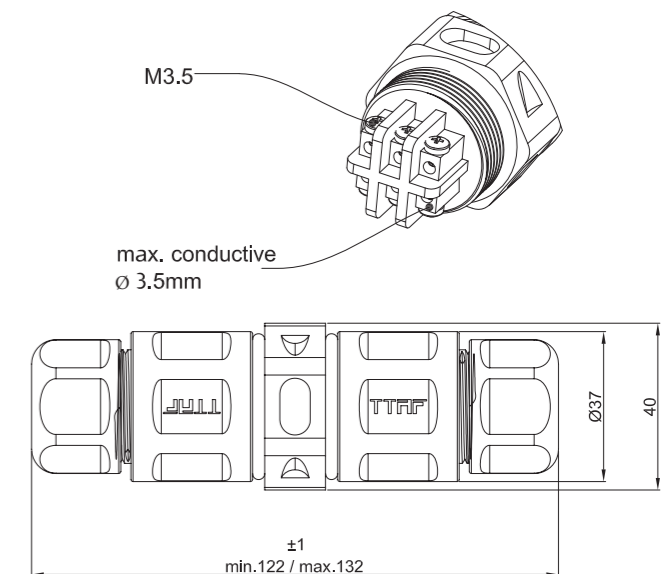


WPI SERIES

6 Power Pin I Field Assembly Screw Connection Connector
 Product Code - WPI-0602M25
 Waterproof Connector Series

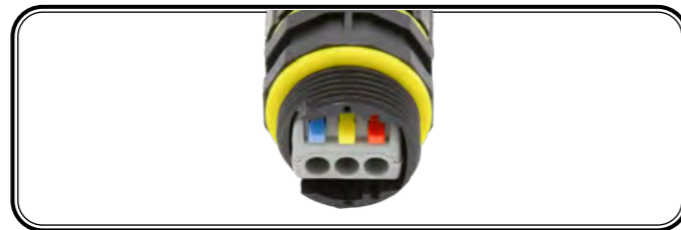


Number of Pins	6
Voltage Rating	250VAC max.
Current Rating	25A max.
Cable Cross Section Area	0,75mm ² ~ 4mm ²
Durability Voltage	1500VAC@60s.
Insulation Structure	1000 MΩ at 1000 VDC
Contact Resistance	10 mΩ max.
Min. Cable Dimension OD	10mm
Max. Cable Dimension OD	14mm
Temperature Rating	-40°C ~ +85°C
IP Class	IP68 (10m / 60min)
Housing Material	PA6
Contact/Terminal Material	Brass - Nickel Plated
Seal Material	Silicon

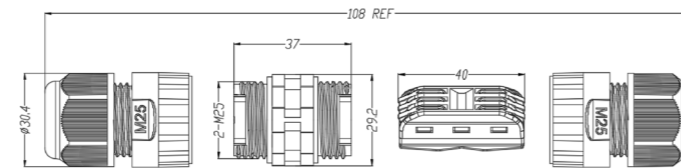


WPI SERIES

3 Pin Terminal Block Connection I Connector
 Product Code - WPI-M25B-0302M24
 Waterproof Connector Series



Number of Pins	3
Voltage Rating	450VAC max.
Current Rating	24A max.
Cable Cross Section Area	0,5mm ² ~ 2.5mm ²
Durability Voltage	2500VAC@60s.
Min. Cable Dimension OD	9mm
Max. Cable Dimension OD	12mm
Temperature Rating	-40°C ~ +105°C
IP Class	IP68 (10m / 60min)
Housing Material	UL94 V-2

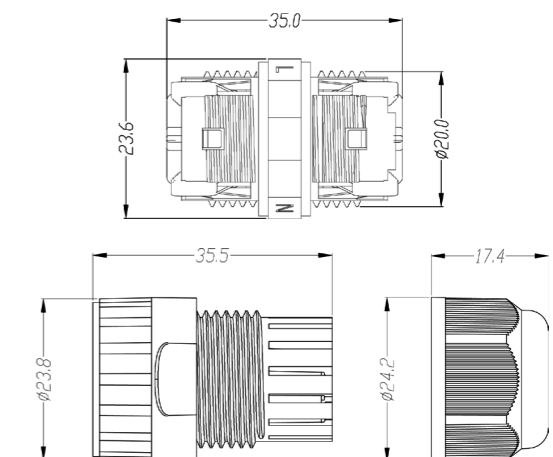


WPI SERIES

3 Pin Screwless Waterproof I Connector
 Product Code - WPI-P20-03M16
 Waterproof Connector Series

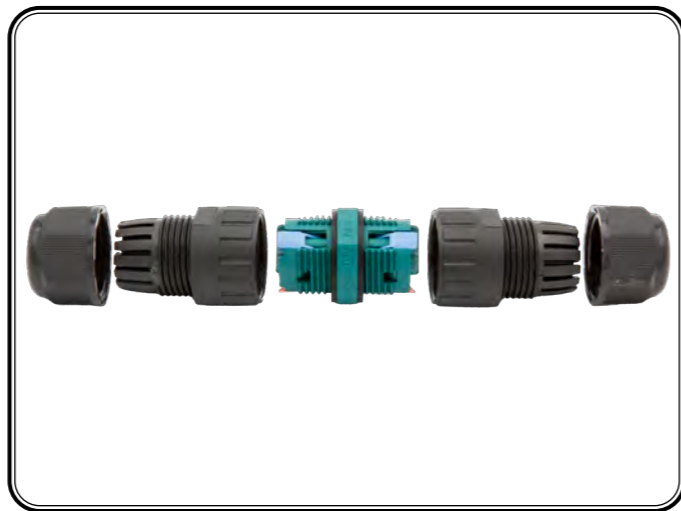


Number of Pins	3
Voltage Rating	450VAC max.
Current Rating	16A max.
Cable Cross Section Area	0,5mm ² ~ 2.5mm ²
Durability Voltage	2500VAC@60s.
Min. Cable Dimension OD	9mm
Max. Cable Dimension OD	12mm
Temperature Rating	-40°C ~ +105°C
IP Class	IP68 (10m / 60min)
Housing Material	UL94 V-2

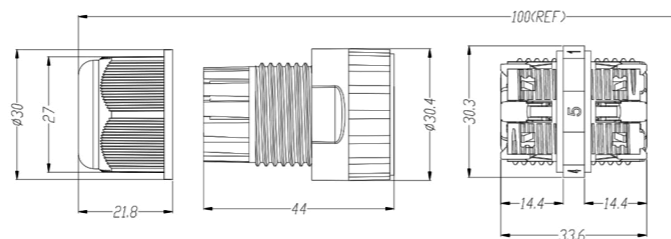


WPI SERIES

5 Pin Screwless Waterproof I Connector
 Product Code - WPI-P25-05M16
 Waterproof Connector Series

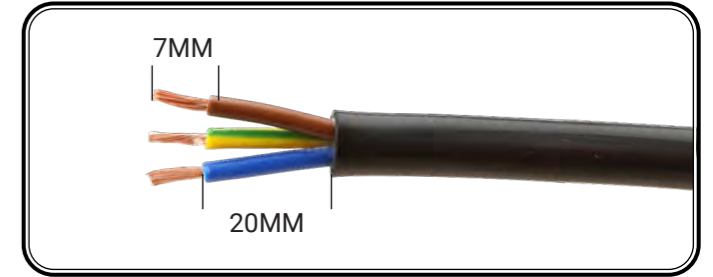
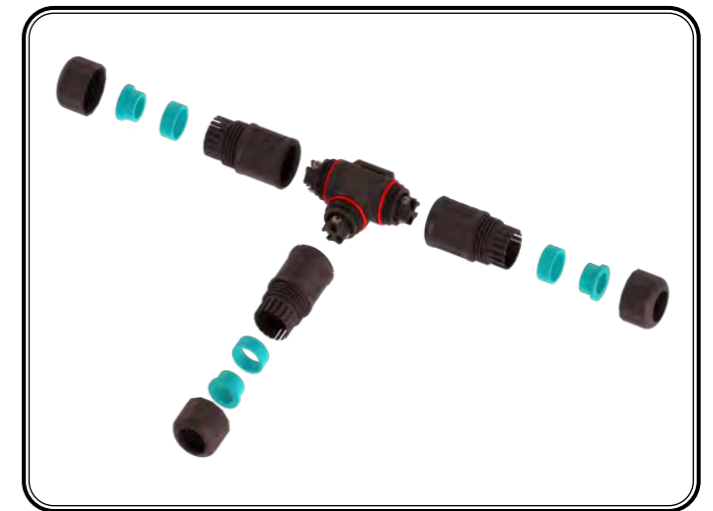


Number of Pins	5
Voltage Rating	450VAC max.
Current Rating	16A max.
Cable Cross Section Area	0,5mm ² ~ 2.5mm ²
Durability Voltage	2500VAC@60s.
Min. Cable Dimension OD	10mm
Max. Cable Dimension OD	14mm
Temperature Rating	-40°C ~ +105°C
IP Class	IP68 (10m / 60min)
Housing Material	UL94 V-2

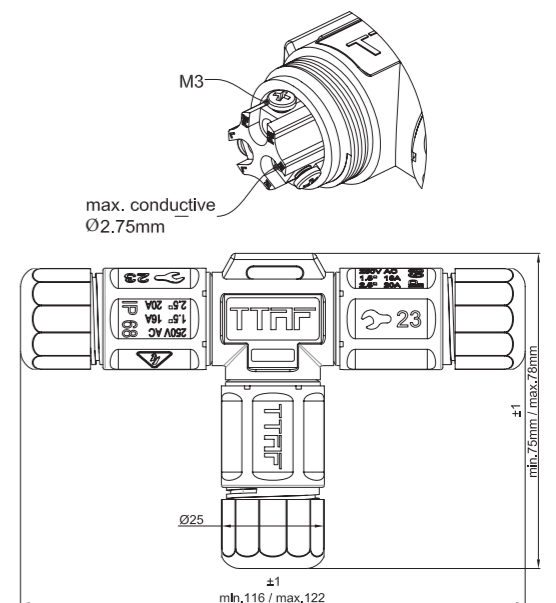


WPT SERIES

3 Pin T Field Assembly Screw Connection Connector
 Product Code - WPT-0303M20/14
 Waterproof Connector Series



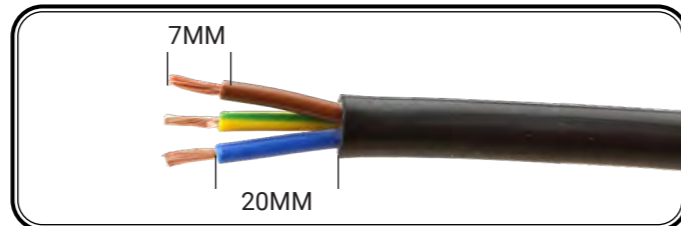
Number of Pins	3
Voltage Rating	250VAC max.
Current Rating	20A max.
Cable Cross Section Area	0,5mm ² ~ 2.5mm ²
Durability Voltage	1500VAC@60s.
Insulation Structure	500 MΩ at 500VDC
Contact Resistance	10 mΩ max.
Min. Cable Dimension OD	6mm
Max. Cable Dimension OD	14mm
Temperature Rating	-40°C ~ +85°C
IP Class	IP68 (10m / 60min)
Housing Material	PA6
Contact/Terminal Material	Brass - Nickel Plated
Seal Material	Silikon



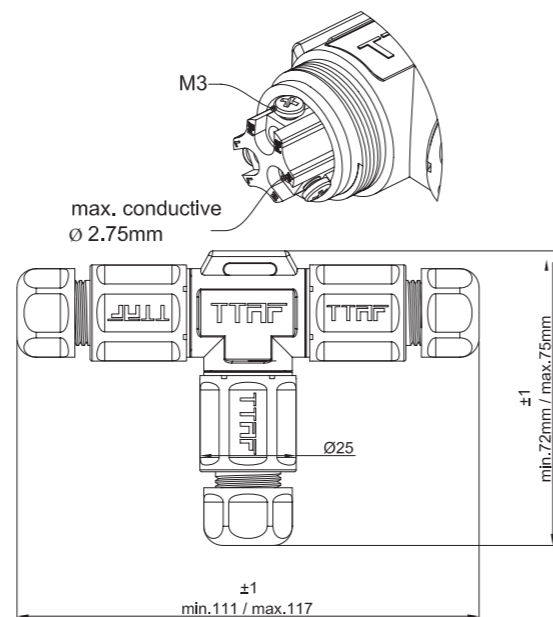
WPT SERIES

3 Pin T Field Assembly Screw Connection Connector

Product Code - WPT-0303M20
Waterproof Connector Series



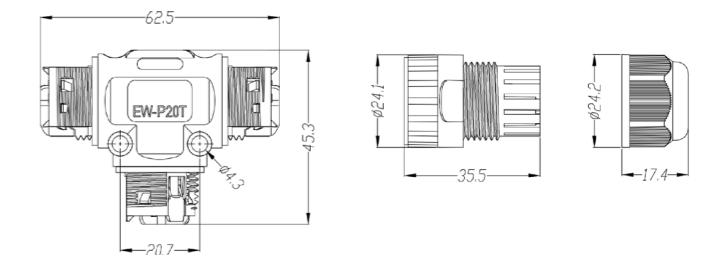
Number of Pins	3
Voltage Rating	250VAC max.
Current Rating	20A max.
Cable Cross Section Area	0,5mm ² ~ 2.5mm ²
Durability Voltage	1500VAC@60s.
Insulation Structure	500 MΩ at 500VDC
Contact Resistance	10 mΩ max.
Min. Cable Dimension OD	6mm
Max. Cable Dimension OD	10mm
Temperature Rating	-40°C ~ +85°C
IP Class	IP68 (10m / 60min)
Housing Material	PA6
Contact/Terminal Material	Brass - Nickel Plated
Seal Material	Silicone



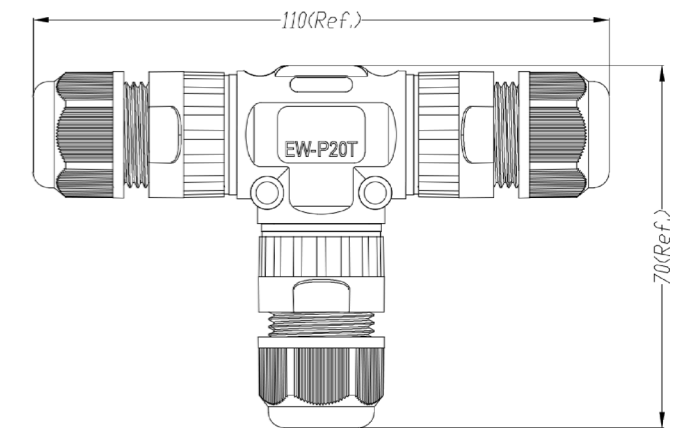
WPT SERIES

3 Pin Screwless Waterproof T Connector

Product Code - WPT-P20T-03M16
Waterproof Connector Series



Number of Pins	3
Voltage Rating	450VAC max.
Current Rating	16A max.
Cable Cross Section Area	0,5mm ² ~ 2.5mm ²
Durability Voltage	1500VAC@60s.
Min. Cable Dimension OD	9mm
Max. Cable Dimension OD	12mm
Temperature Rating	-40°C ~ +105°C
IP Class	IP68 (10m / 60min)
Housing Material	UL94 V-2

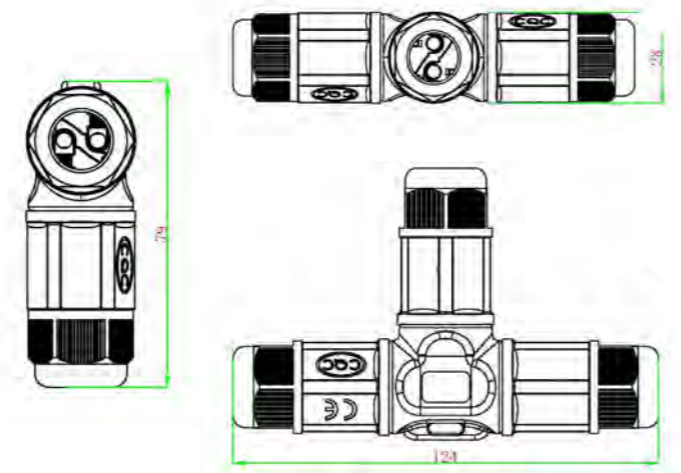


WPT SERIES

5 Pin T Field Assembly Screw Connection Connector
 Product Code - WPT-L25-5PT
 Waterproof Connector Series

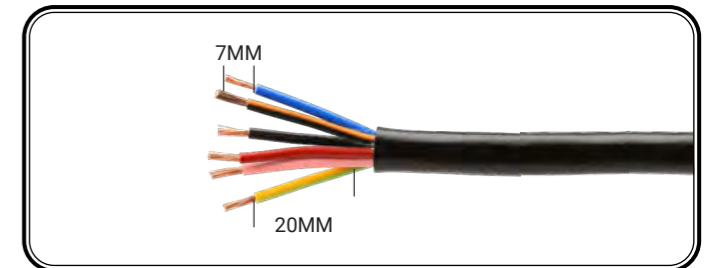
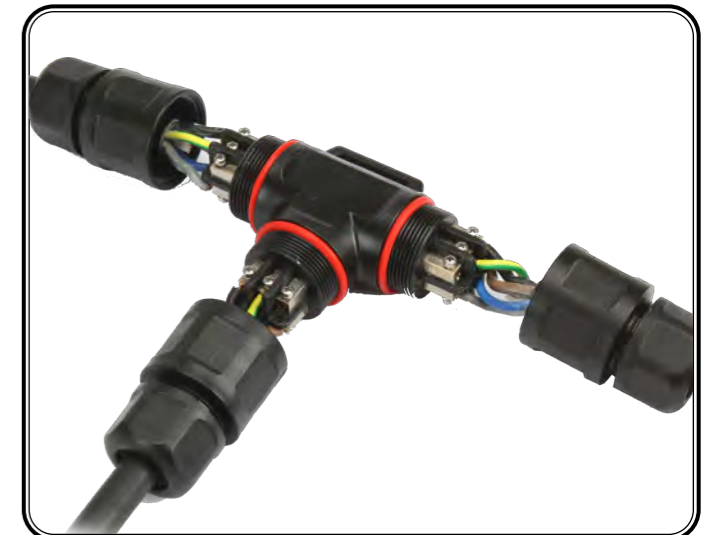


Number of Pins	5
Voltage Rating	250VAC max.
Current Rating	20A max.
Cable Cross Section Area	0,5mm ² ~ 2.5mm ²
Durability Voltage	1500VAC@60s.
Insulation Structure	1000 MΩ at 500VDC
Contact Resistance	10 mΩ max.
Min. Cable Dimension OD	6mm
Max. Cable Dimension OD	10mm
Temperature Rating	-40°C ~ +85°C
IP Class	IP68 (10m / 60min)
Housing Material	V-0
Contact/Terminal Material	Brass - Nickel Plated
Seal Material	Silicon

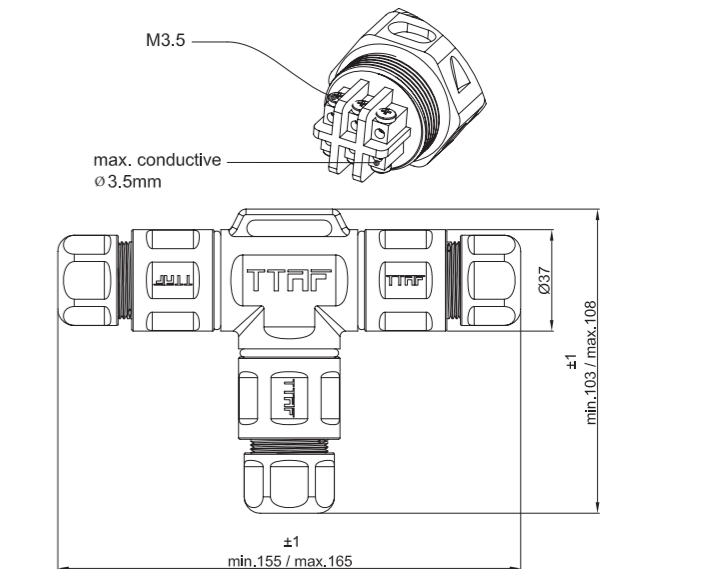


WPT SERIES

6 Power Pin T Field Assembly Screw Connection Connector
 Product Code - WPT-0603M25
 Waterproof Connector Series



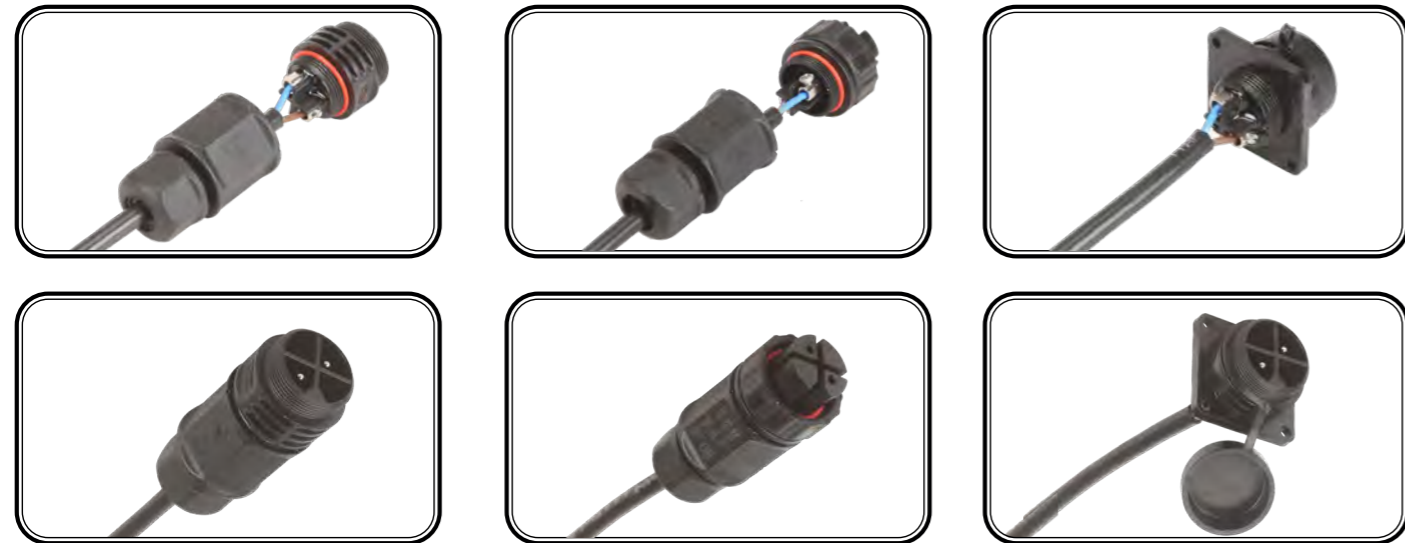
Number of Pins	6
Voltage Rating	250VAC max.
Current Rating	25A max.
Cable Cross Section Area	0,75mm ² ~ 4mm ²
Durability Voltage	1500VAC@60s.
Insulation Structure	1000 MΩ at 1000 VDC
Contact Resistance	10 mΩ max.
Min. Cable Dimension OD	10mm
Max. Cable Dimension OD	14mm
Temperature Rating	-40°C ~ +85°C
IP Class	IP68 (10m / 60min)
Housing Material	PA6
Contact/Terminal Material	Brass - Nickel Plated
Seal Material	Silicon



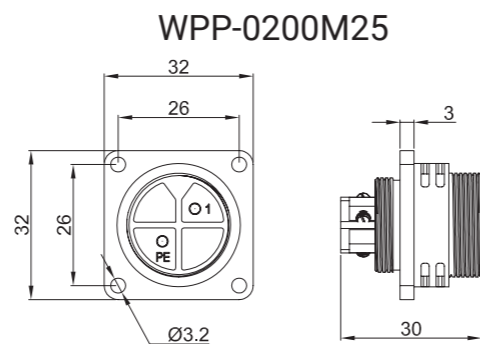
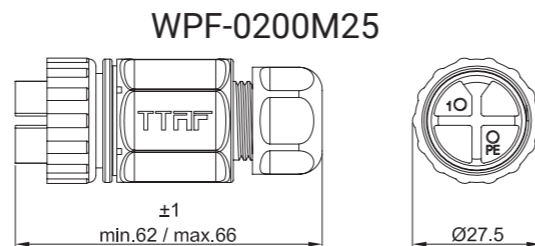
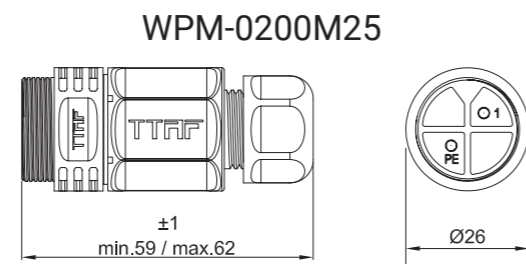
WPM-WPF-WPP SERIES

2 Pin Pluggable Screw Connection Connector

Product Code - WPM-0200M25 / WPF-0200M25 / WPP-0200M25
Waterproof Connector Series



Number of Pins	2
Voltage Rating	250VAC max.
Current Rating	25A max.
Cable Cross Section Area	0,5mm ² ~ 2.5mm ²
Durability Voltage	3000VAC@60s.
Insulation Structure	500 MΩ at 500VDC
Contact Resistance	30 mΩ max.
Min. Cable Dimension OD	6mm
Max. Cable Dimension OD	10mm
Temperature Rating	-40°C ~ +85°C
IP Class	IP68 (10m / 60min)
Housing Material	PA6
Contact/Terminal Material	Brass - Nickel Plated
Seal Material	Silicon



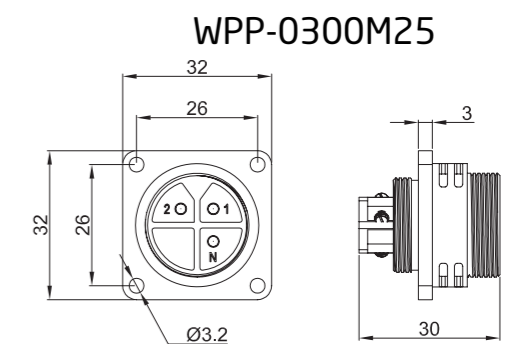
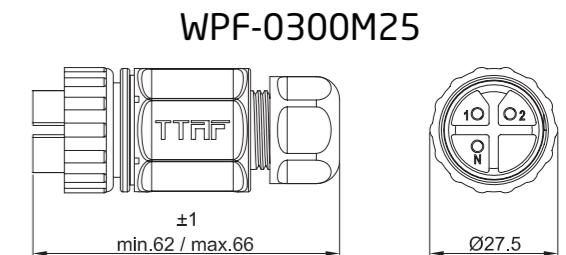
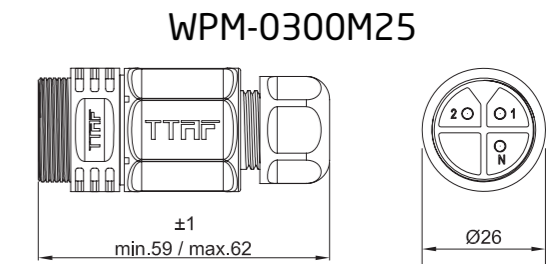
WPM-WPF-WPP SERIES

3 Pin Pluggable Screw Connection Connector

Product Code - WPM-0300M25 / WPF-0300M25 / WPP-0300M25
Waterproof Connector Series



Number of Pins	3
Voltage Rating	250VAC max.
Current Rating	25A max.
Cable Cross Section Area	0,5mm ² ~ 2.5mm ²
Durability Voltage	3000VAC@60s.
Insulation Structure	500 MΩ at 500VDC
Contact Resistance	30 mΩ max.
Min. Cable Dimension OD	6mm
Max. Cable Dimension OD	10mm
Temperature Rating	-40°C ~ +85°C
IP Class	IP68 (10m / 60min)
Housing Material	PA6
Contact/Terminal Material	Brass - Nickel Plated
Seal Material	Silicon



WPM-WPF-WPP SERIES

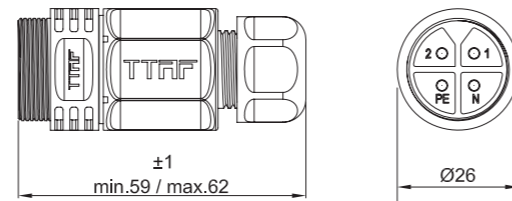
4 Pin Pluggable Screw Connection Connector

Product Code - WPM-0400M25 / WPF-0400M25 / WPP-0400M25
Waterproof Connector Series

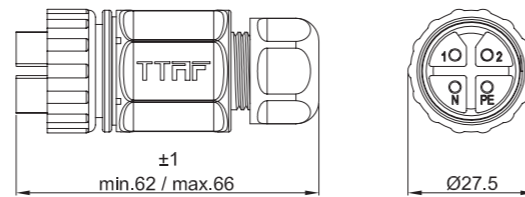


Number of Pins	4
Voltage Rating	250VAC max.
Current Rating	25A max.
Cable Cross Section Area	0,5mm ² ~ 2.5mm ²
Durability Voltage	3000VAC@60s.
Insulation Structure	500 MΩ at 500VDC
Contact Resistance	30 mΩ max.
Min. Cable Dimension OD	6mm
Max. Cable Dimension OD	10mm
Temperature Rating	-40°C ~ +85°C
IP Class	IP68 (10m / 60min)
Housing Material	PA6
Contact/Terminal Material	Brass - Nickel Plated
Seal Material	Silicon

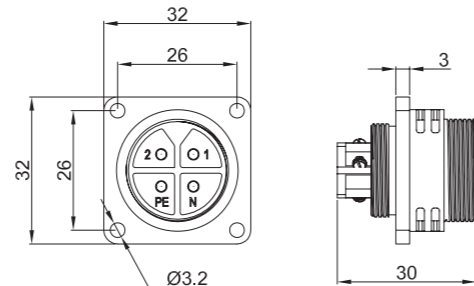
WPM-0400M25



WPF-0400M25



WPP-0400M25



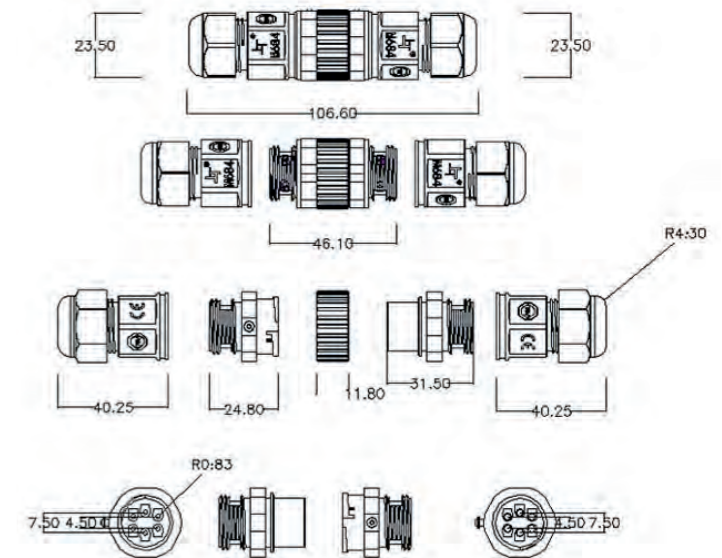
WPM-WPF-WPP SERIES

5 Pin Field Assembly Pluggable I Connector

Product Code - WPFM-0500M20
Waterproof Connector Series



Number of Pins	5
Voltage Rating	450VAC max.
Current Rating	16A max.
Cable Cross Section Area	0,5mm ² ~ 2.5mm ²
Durability Voltage	3000VAC@60s.
Insulation Structure	500 MΩ at 500VDC
Contact Resistance	30 mΩ max.
Min. Cable Dimension OD	5-9mm
Max. Cable Dimension OD	9-12mm
Temperature Rating	-40°C ~ +85°C
IP Class	IP68 (10m / 60min)
Housing Material	PA6
Contact/Terminal Material	Brass - Nickel Plated
Seal Material	Silicon



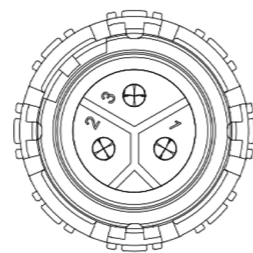
WPI SERIES

3 Pin Screwless Female - Male Waterproof I Connector

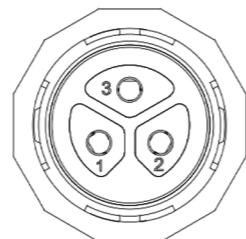
Product Code - WPI-P23-MF-03M16
Waterproof Connector Series



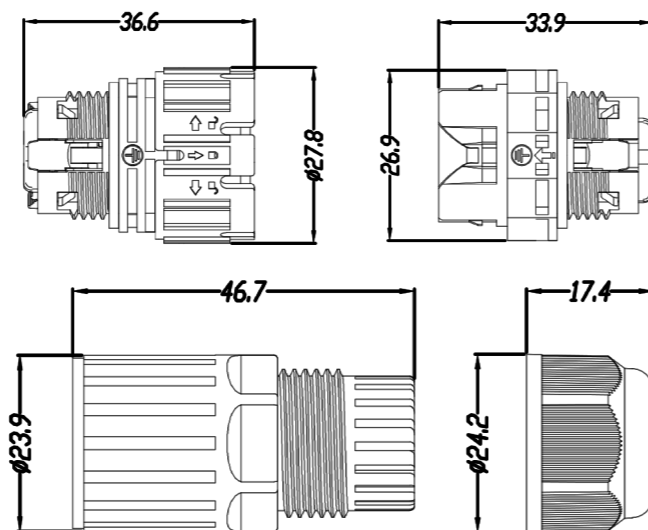
3 Pin



Pin Male connector



Pole Female connector



Number of Pins	3
Voltage Rating	450VAC max.
Current Rating	16A max.
Cable Cross Section Area	0,5mm ² ~ 2,5mm ²
Durability Voltage	1500VAC@60s.
Min. Cable Dimension OD	9mm
Max. Cable Dimension OD	12mm
Temperature Rating	-40°C ~ +105°C
IP Class	IP68 (10m / 60min)
Housing Material	UL94 V-0

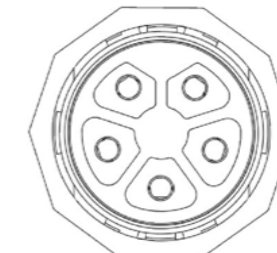
WPI SERIES

3 Pin Screwless Female - Male Waterproof I Connector

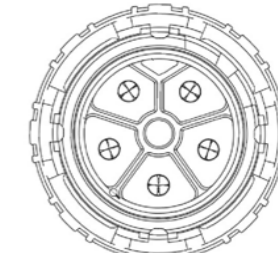
Product Code - WPI-P25-MF-05M16
Waterproof Connector Series



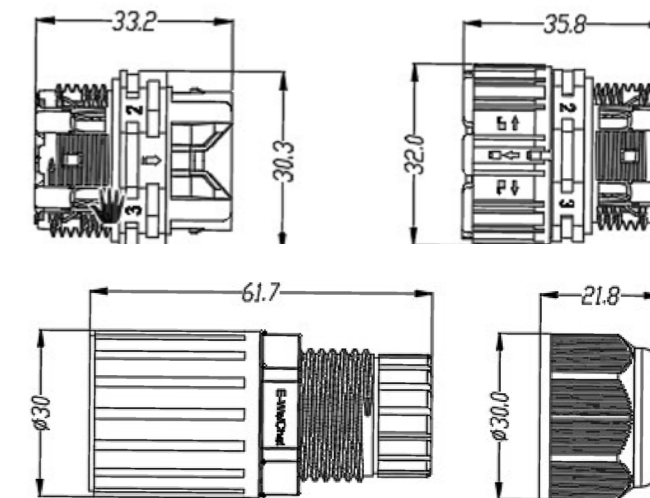
5 PIN



Female connector



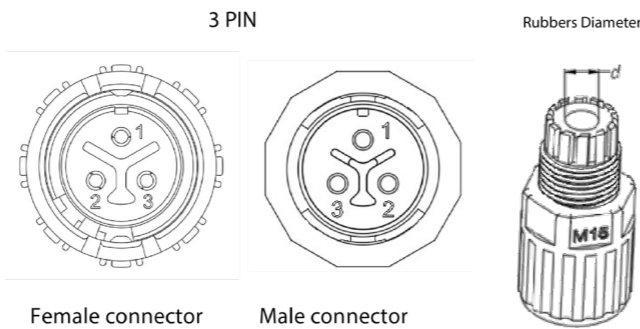
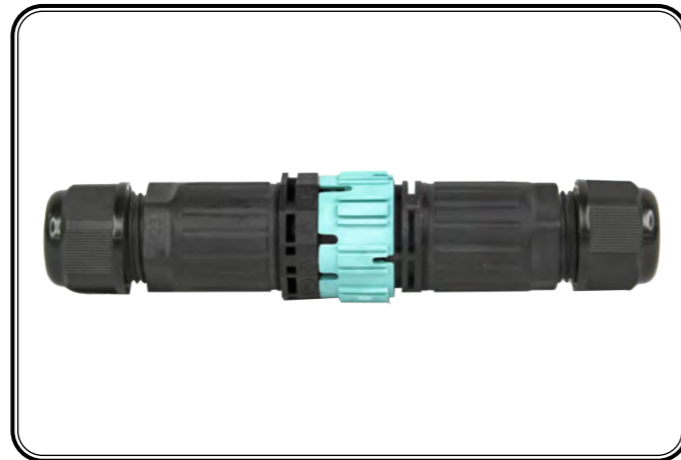
Male connector



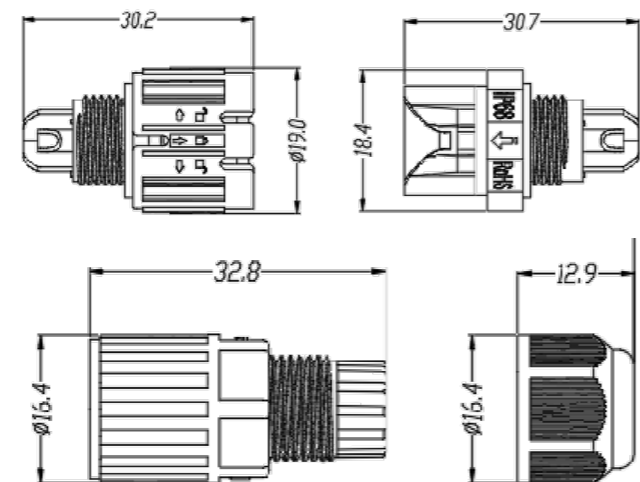
Number of Pins	5
Voltage Rating	450VAC max.
Current Rating	16A max.
Cable Cross Section Area	0,5mm ² ~ 2,5mm ²
Durability Voltage	2500VAC@60s.
Min. Cable Dimension OD	10mm
Max. Cable Dimension OD	14mm
Temperature Rating	-40°C ~ +105°C
IP Class	IP68 (10m / 60min)
Housing Material	UL 94 V-0

WPI SERIES

3 Pin Solder Type Female - Male Waterproof I Connector
 Product Code - WPI-M15-MF-03M10
 Waterproof Connector Series

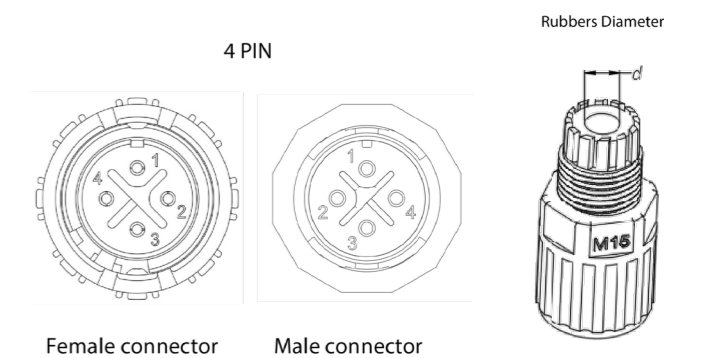
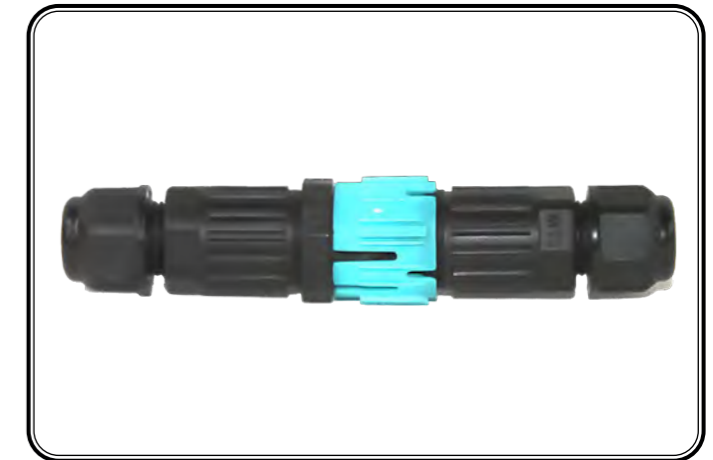


Number of Pins	3
Voltage Rating	450VAC max.
Current Rating	10A max.
Cable Cross Section Area	0,5mm ² ~ 1.5mm ²
Durability Voltage	2500VAC@60s.
Min. Cable Dimension OD	3,5mm
Max. Cable Dimension OD	7mm
Temperature Rating	-40°C ~ +105°C
IP Class	IP68 (10m / 60min)
Housing Material	UL94 V-0

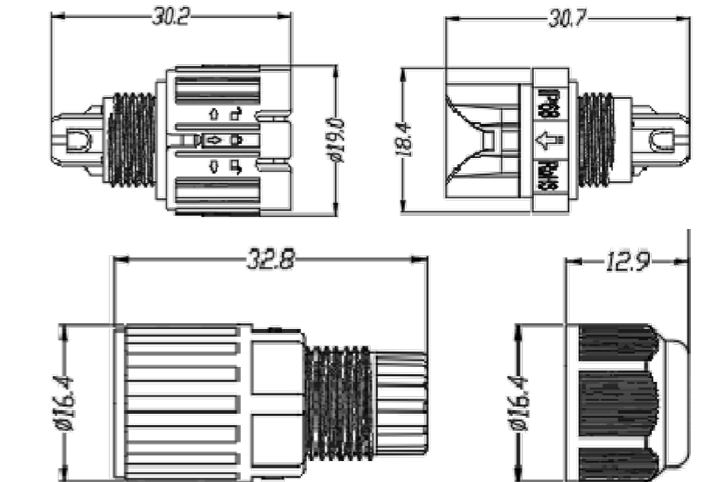


WPI SERIES

4 Pin Solder Type Female - Male Waterproof I Connector
 Product Code - WPI-M15-MF-04M10
 Waterproof Connector Series

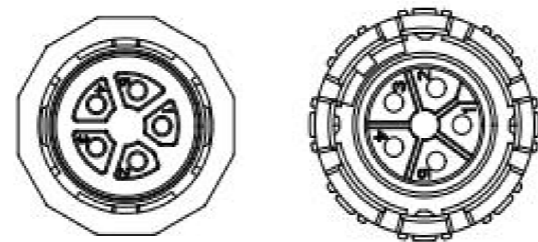


Number of Pins	4
Voltage Rating	450VAC max.
Current Rating	10A max.
Cable Cross Section Area	0,5mm ² ~ 1mm ²
Durability Voltage	2500VAC@60s.
Temperature Rating	-40°C ~ +105°C
IP Class	IP68 (10m / 60min)

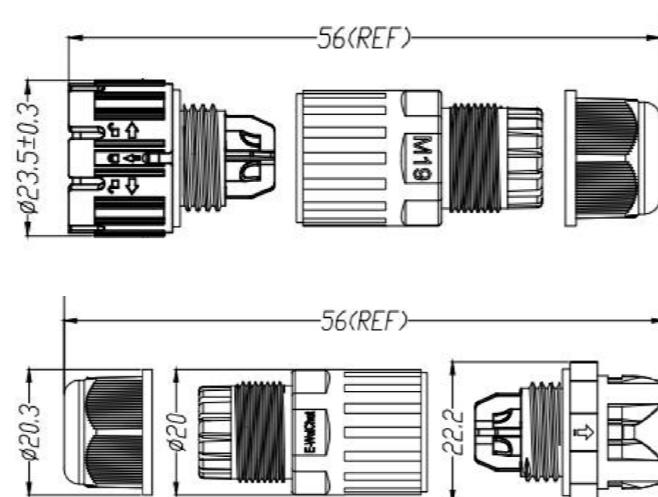


WPI SERIES

5 Pin Solder Type Female - Male Waterproof I Connector
 Product Code - WPI-M19-MF-05M16
 Waterproof Connector Series



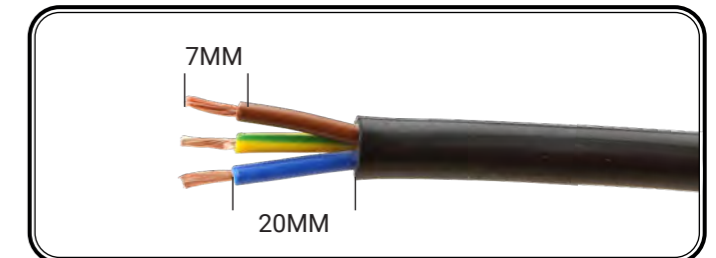
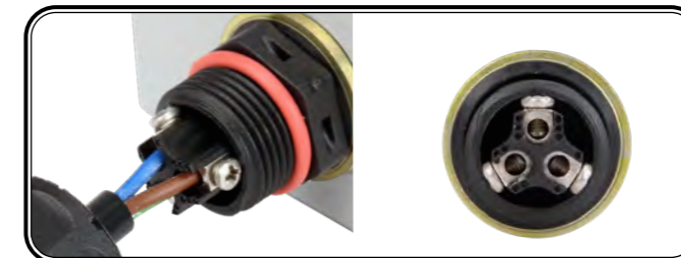
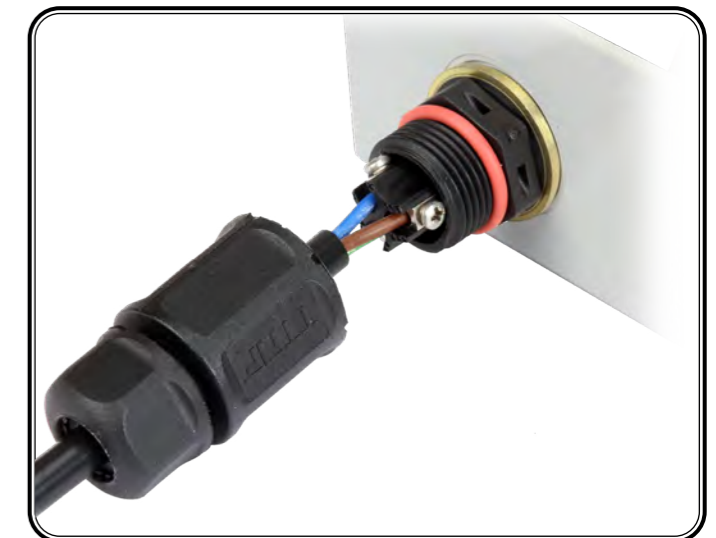
Male connector Female connector



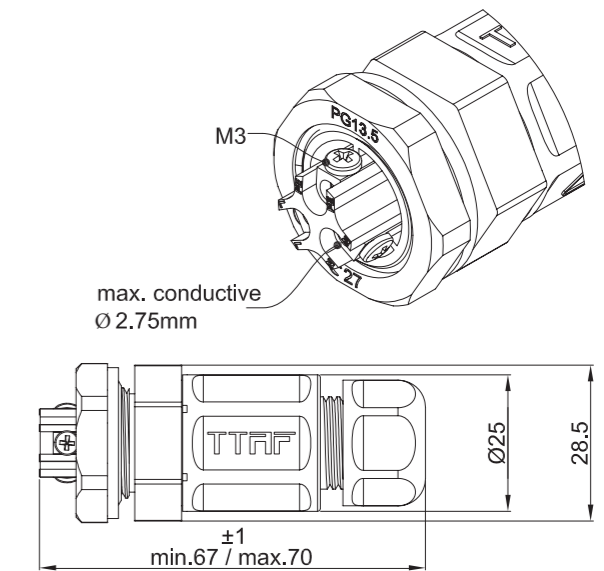
Number of Pins	5
Voltage Rating	450VAC max.
Current Rating	16A max.
Cable Cross Section Area	0,5mm ² ~ 1.5mm ²
Durability Voltage	2500VAC@60s.
Min. Cable Dimension OD	7mm
Max. Cable Dimension OD	10mm
Temperature Rating	-40°C ~ +105°C
IP Class	IP68 (10m / 60min)
Housing Material	UL 94 V-0

WPP SERIES

3 Pin Panel Field Assembly Screw Connection Connector
 Product Code - WPP-0302M20
 Waterproof Connector Series

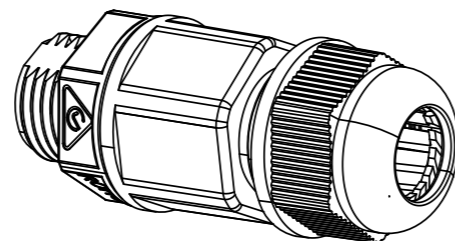
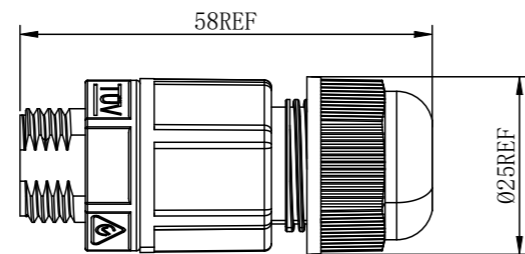
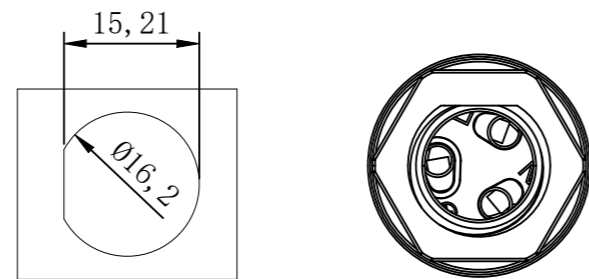


Number of Pins	3
Voltage Rating	250VAC max.
Current Rating	20A max.
Cable Cross Section Area	0,5mm ² ~ 2.5mm ²
Durability Voltage	1500VAC@60s.
Insulation Structure	500 MΩ at 500VDC
Contact Resistance	10 mΩ max.
Min. Cable Dimension OD	6mm
Max. Cable Dimension OD	10mm
Temperature Rating	-40°C ~ +85°C
IP Class	IP68 (10m / 60min)
Housing Material	PA6
Contact/Terminal Material	Brass - Nickel Plated
Seal Material	Silicone



WPI SERIES

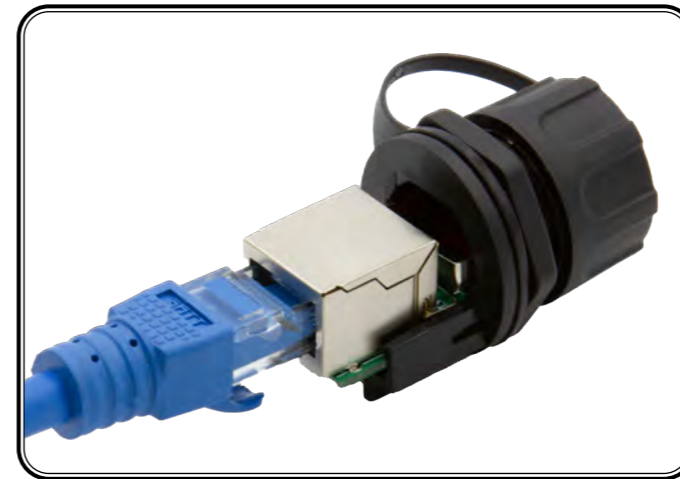
3 Pin Screw Waterproof Panel Type I Connector
 Product Code - WPP-L03-03M24
 Waterproof Connector



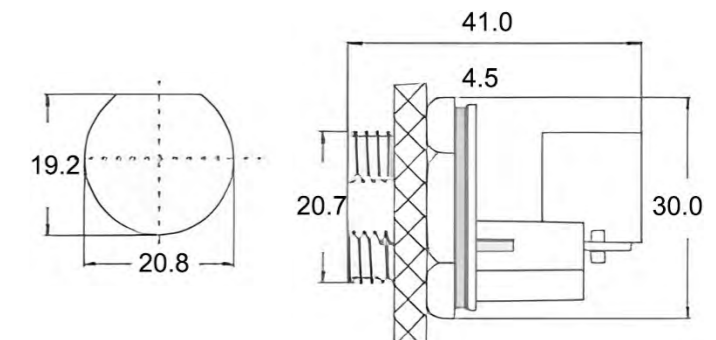
Number of Pins	3
Voltage Rating	400VAC max.
Current Rating	24A max.
Cable Cross Section Area	0,5mm ² ~ 2.5mm ²
Durability Voltage	2500VAC@60s.
Min. Cable Dimension OD	7mm
Max. Cable Dimension OD	10mm
Temperature Rating	-40°C ~ +105°C
IP Class	IP68 (10m / 60min)
Housing Material	UL94 V-2

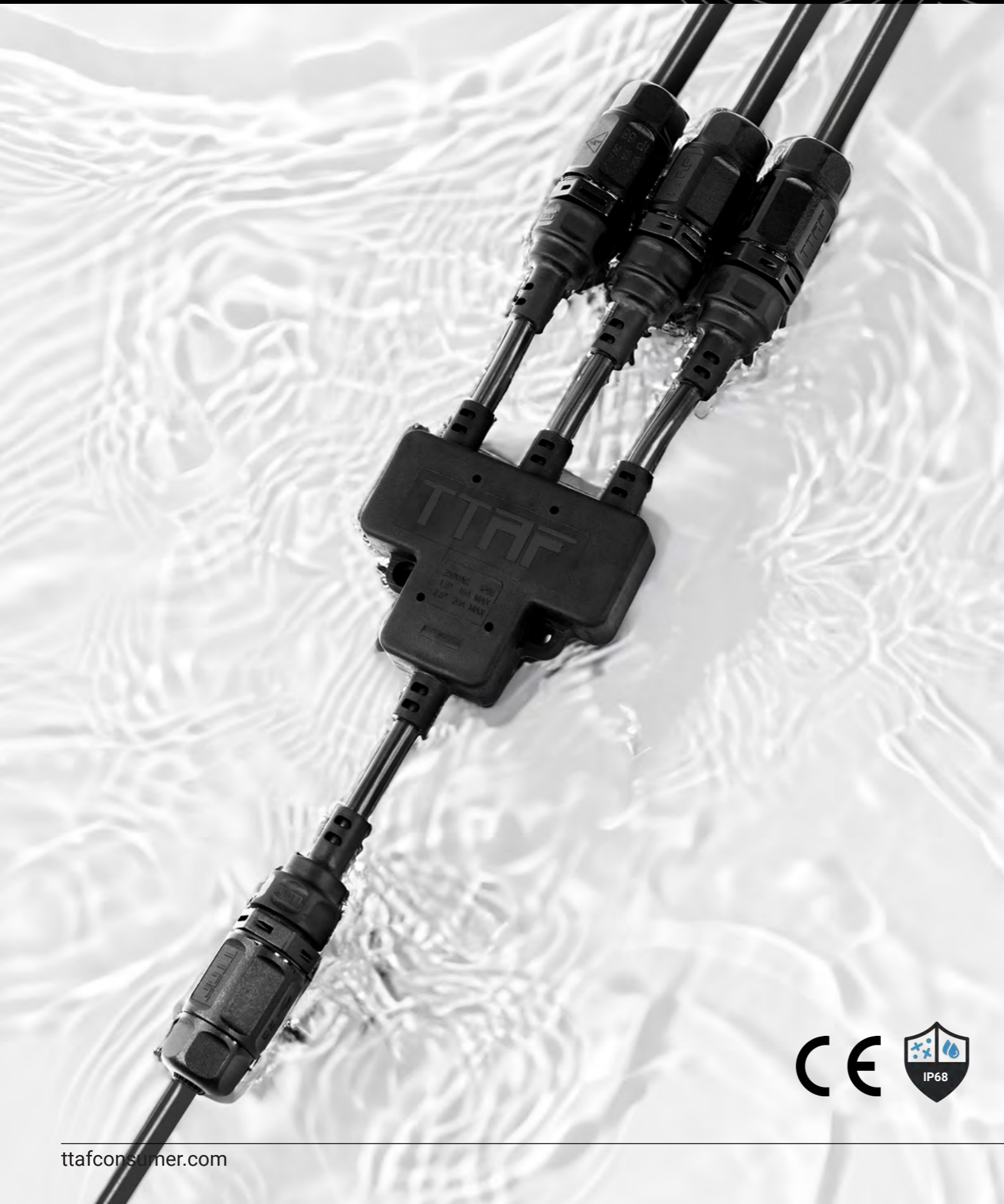
WPP SERIES

M19 Panel and Cable Type RJ45 Female – Male Connector
 Product Code - TT-L-M19-RJ45PE
 Waterproof Connector Series



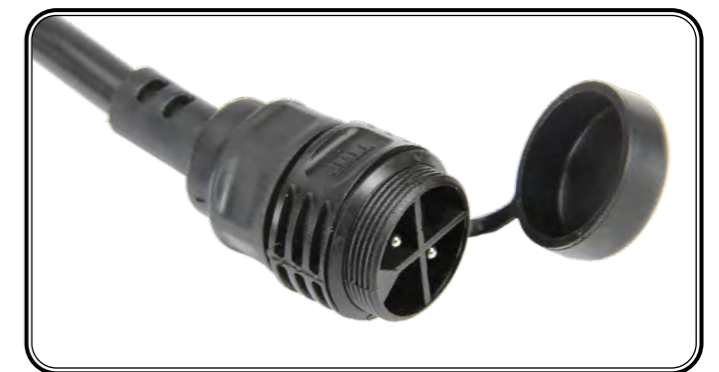
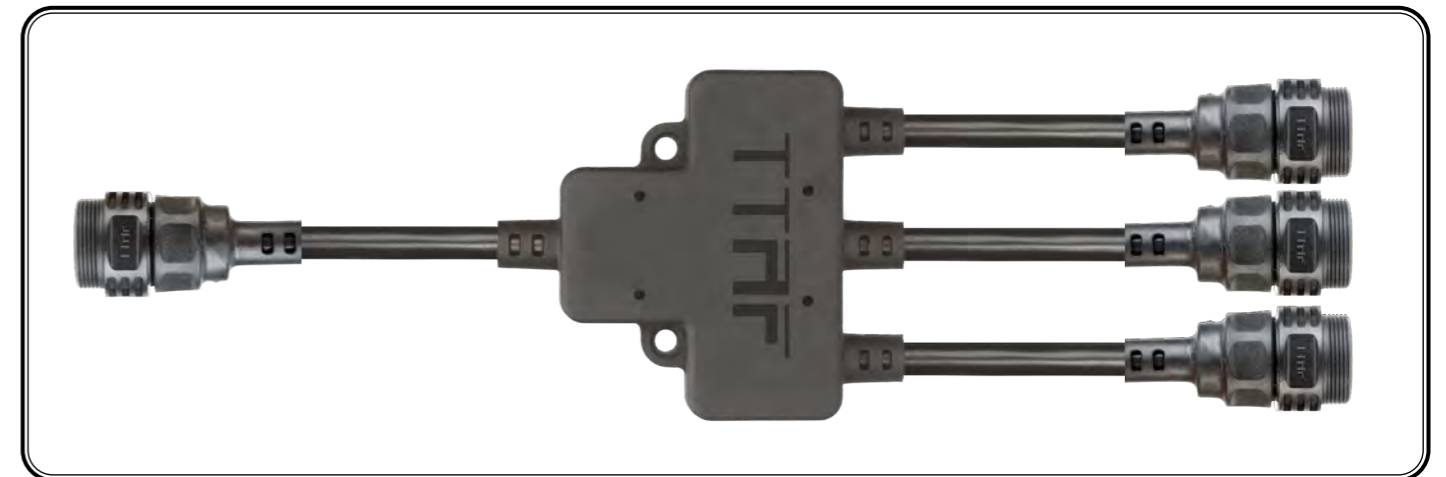
Number of Pins	RJ45
Current Rating	24A max.
Min. Cable Dimension OD	7mm
Max. Cable Size OD	10mm
Temperature Rating	-40°C ~ +105°C
IP Class	IP67 (10m / 60min)



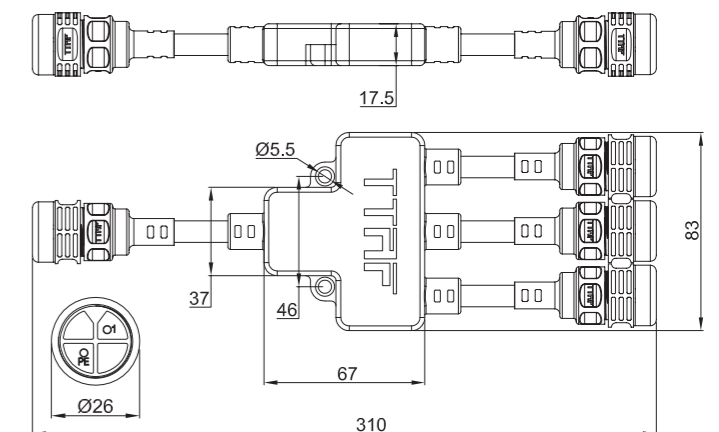


2 Pin Male Pluggable Electrical Splitter 1 In x 3 Out

Product Code - WPS-0204N20M
Waterproof Splitter Series



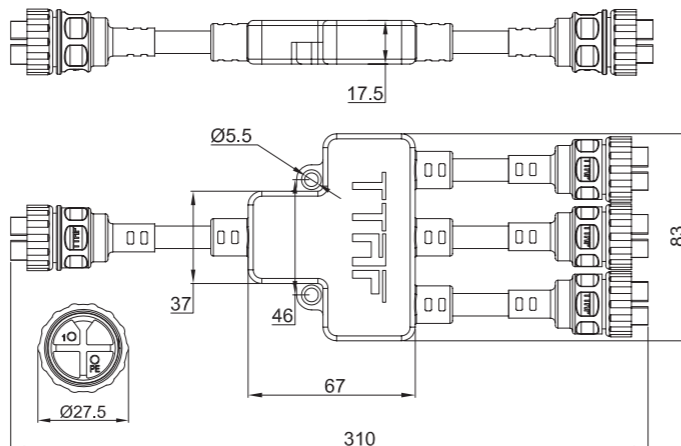
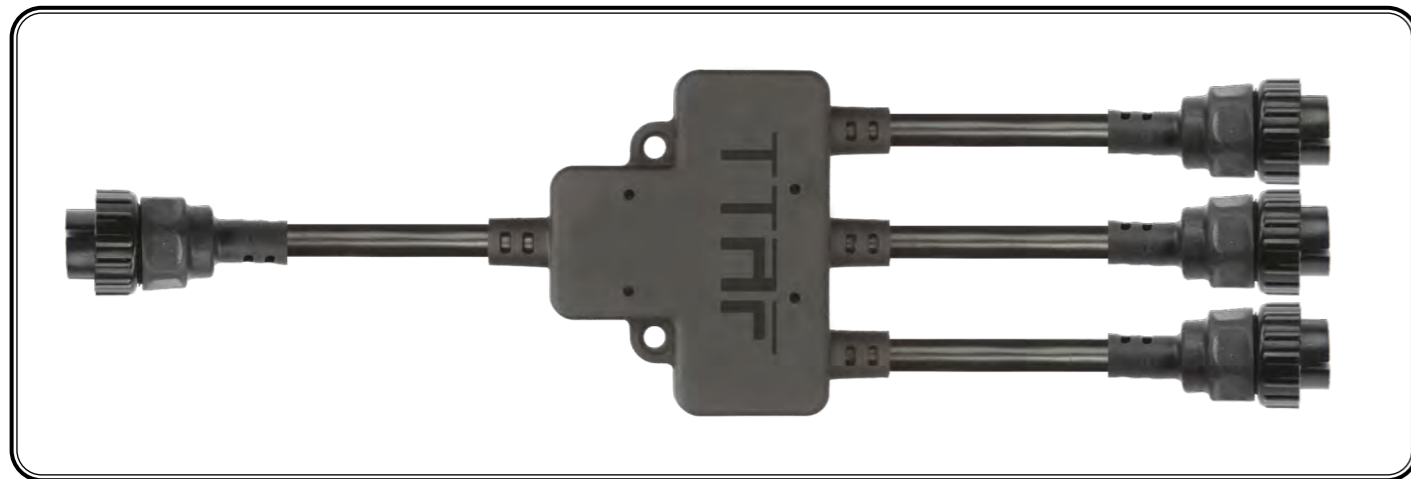
Number of Pins	2
Voltage Rating	250VAC max.
Current Rating	20A max.
Durability Voltage	3000VAC@60s.
Insulation Structure	500 MΩ at 500 VDC
Contact Resistance	30 mΩ max.
Temperature Rating	-40°C ~ +85°C
IP Class	IP68 (10m / 60min)
Housing Material	PA6
Contact/Terminal Material	Brass-Nickel Plated
Seal Material	Silicone



WPS SERIES

2 Pin Female Pluggable Electrical Splitter 1 In x 3 Out

Product Code - WPS-0204N20F
Waterproof Splitter Series

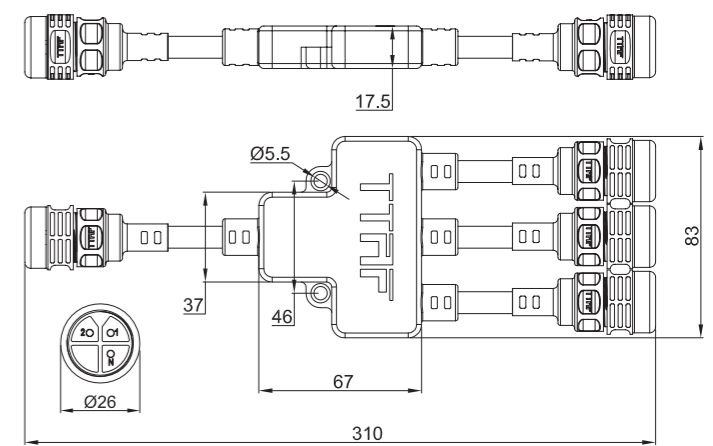
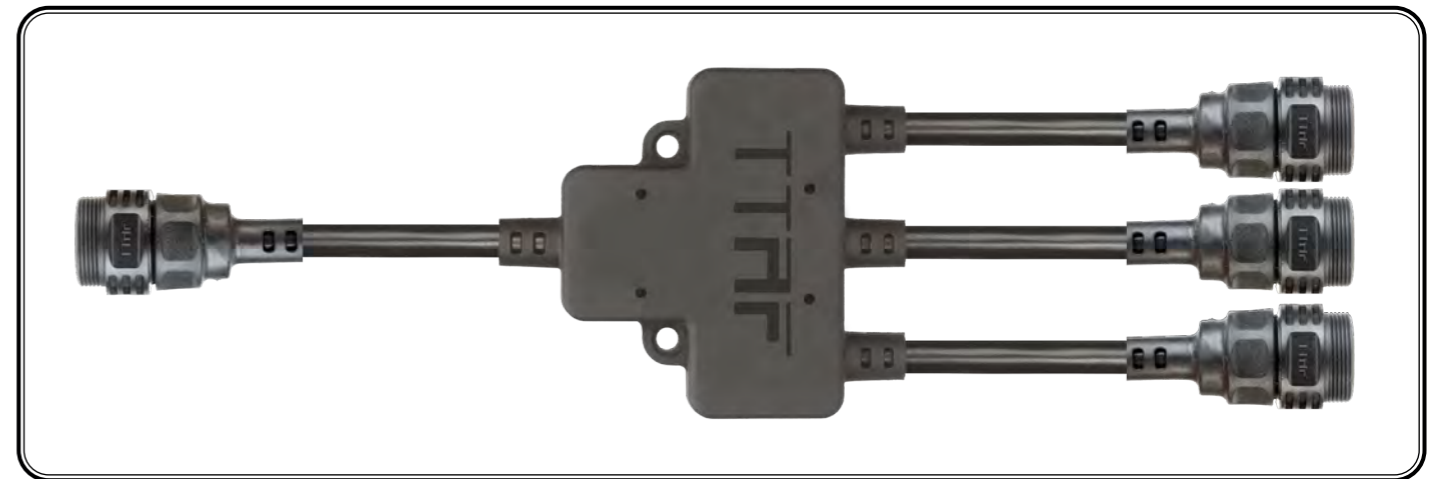


Number of Pins	2
Voltage Rating	250VAC max.
Current Rating	20A max.
Durability Voltage	3000VAC@60s.
Insulation Structure	500 MΩ at 500 VDC
Contact Resistance	30 mΩ max.
Temperature Rating	-40°C ~ +85°C
IP Class	IP68 (10m / 60min)
Housing Material	PA6
Contact/Terminal Material	Brass-Nickel Plated
Seal Material	Silicone

WPS SERIES

3 Pin Male Pluggable Electrical Splitter 1 In x 3 Out

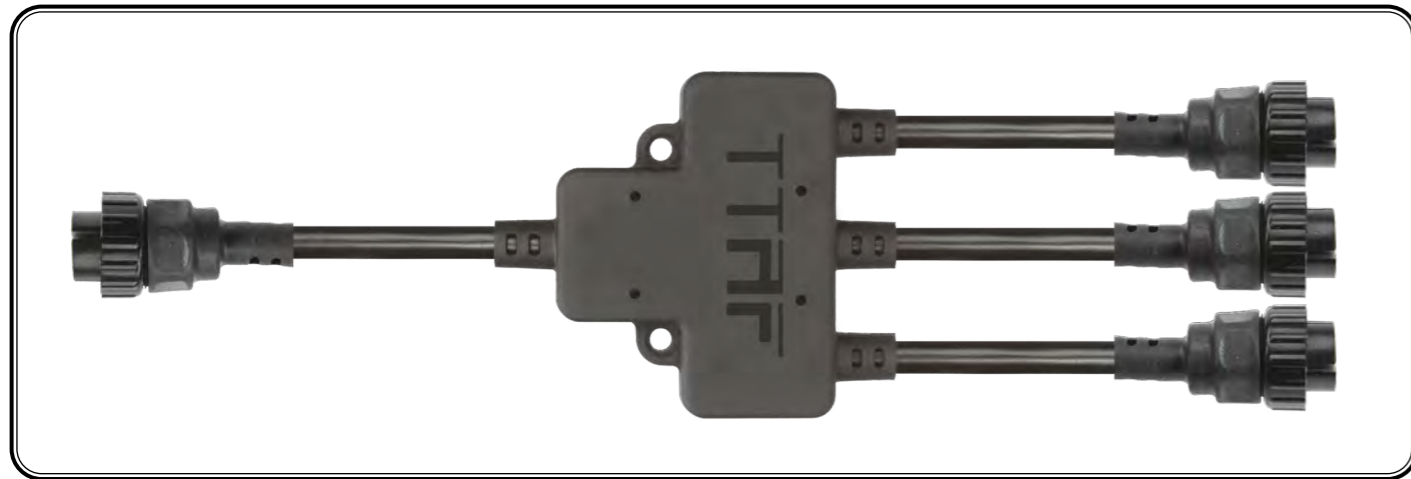
Product Code - WPS-0304N20M
Waterproof Splitter Series



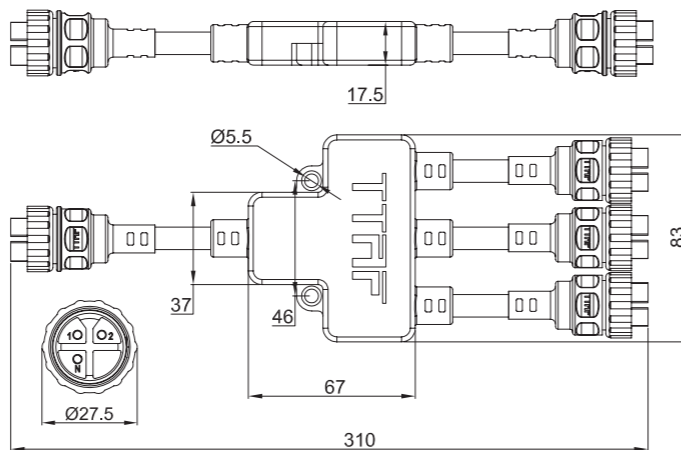
Number of Pins	3
Voltage Rating	250VAC max.
Current Rating	20A max.
Durability Voltage	3000VAC@60s.
Insulation Structure	500 MΩ at 500 VDC
Contact Resistance	30 mΩ max.
Temperature Rating	-40°C ~ +85°C
IP Class	IP68 (10m / 60min)
Housing Material	PA6
Contact/Terminal Material	Nickel
Seal Material	Silicone

WPS SERIES

3 Pin Female Pluggable Electrical Splitter
 1 In x 3 Out
 Product Code - WPS-0304N20F
 Waterproof Splitter Series

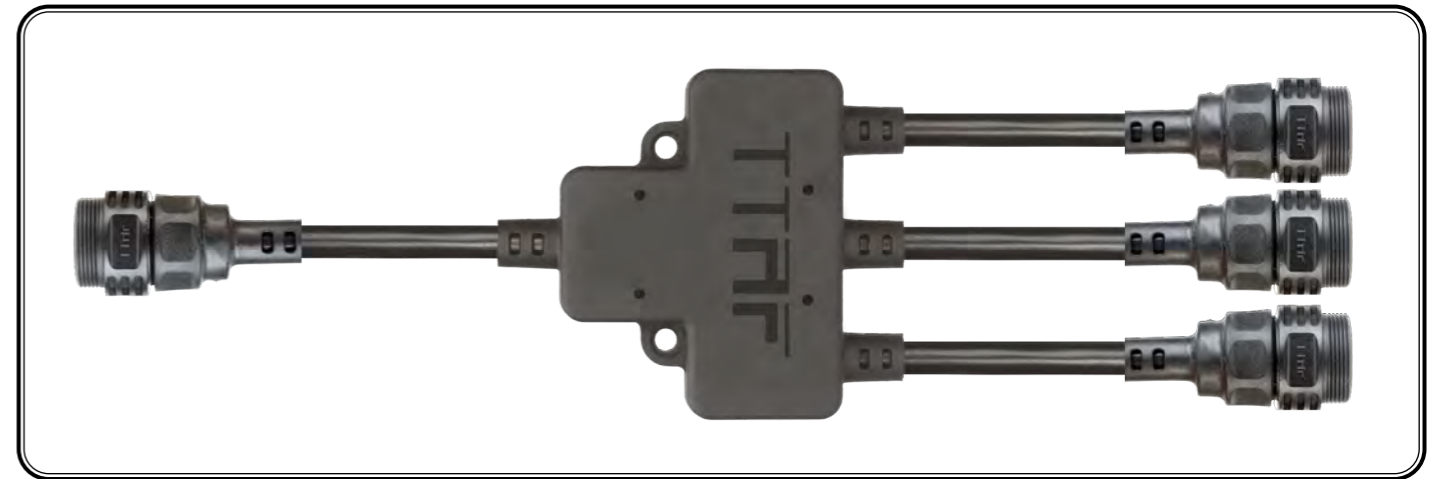


Number of Pins	3
Voltage Rating	250VAC max.
Current Rating	20A max.
Durability Voltage	3000VAC@60s.
Insulation Structure	500 MΩ at 500 VDC
Contact Resistance	30 mΩ max.
Temperature Rating	-40°C ~ +85°C
IP Class	IP68 (10m / 60min)
Housing Material	PA6
Contact/Terminal Material	Brass-Nickel Plated
Seal Material	Silicone

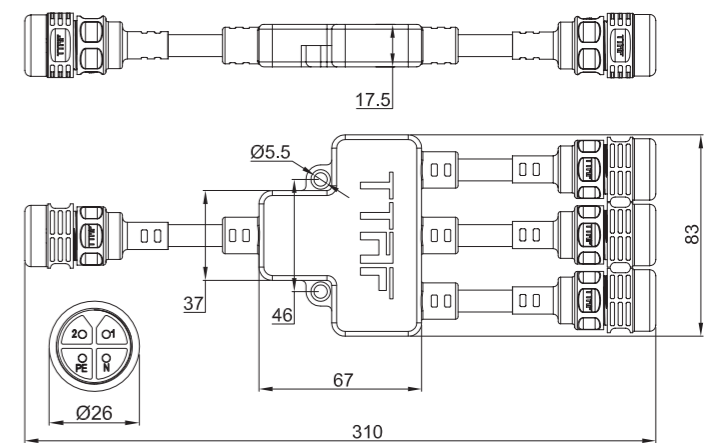


WPS SERIES

4 Pin Male Pluggable Electrical Splitter
 1 In x 3 Out
 Product Code - WPS-0404N20M
 Waterproof Splitter Series

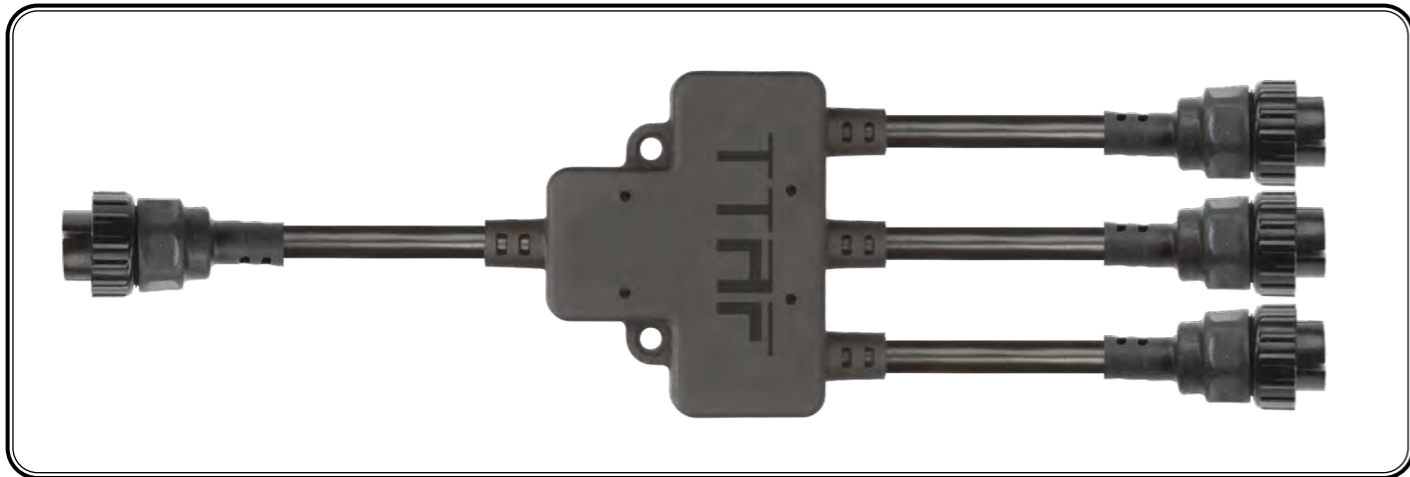


Number of Pins	4
Voltage Rating	250VAC max.
Current Rating	20A max.
Durability Voltage	3000VAC@60s.
Insulation Structure	500 MΩ at 500 VDC
Contact Resistance	30 mΩ max.
Temperature Rating	-40°C ~ +85°C
IP Class	IP68 (10m / 60min)
Housing Material	PA6

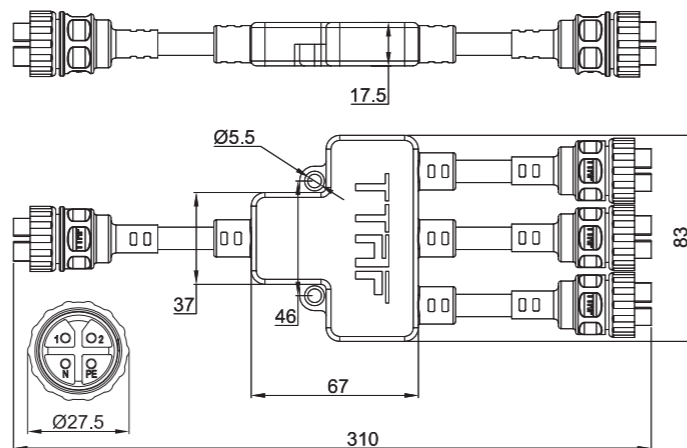


WPS SERIES

4 Pin Female Pluggable Electrical Splitter
1 In x 3 Out
Product Code - WPS-0404N20F
Waterproof Splitter Series

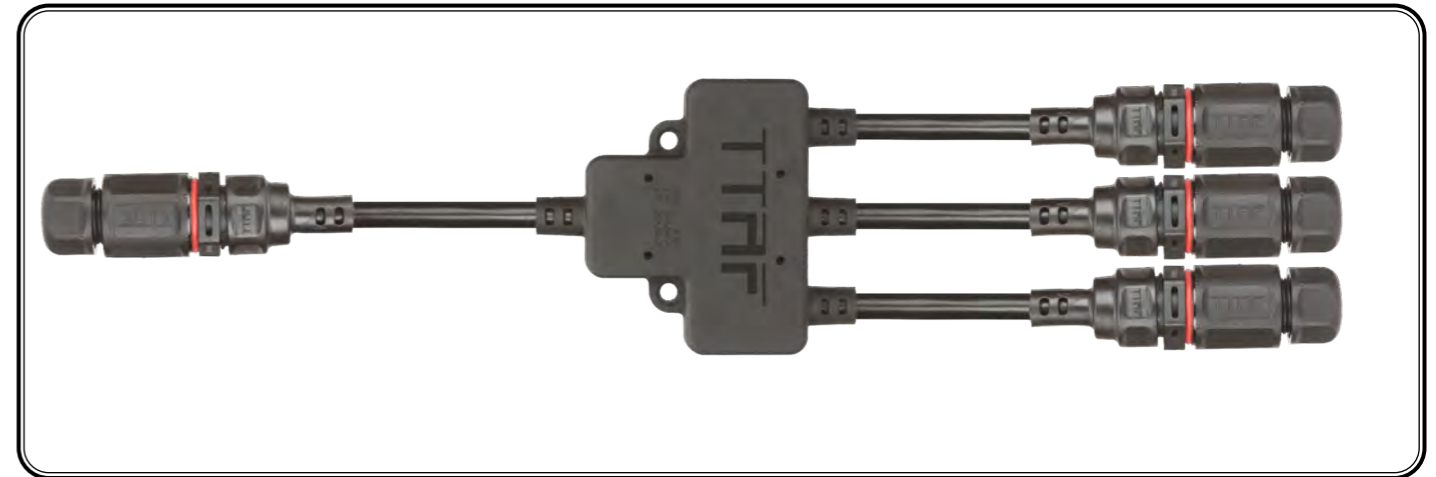


Number of Pins	4
Voltage Rating	250VAC max.
Current Rating	20A max.
Durability Voltage	3000VAC@60s.
Insulation Structure	500 MΩ at 500 VDC
Contact Resistance	30 mΩ max.
Temperature Rating	-40°C ~ +85°C
IP Class	IP68 (10m / 60min)
Housing Material	PA6
Contact/Terminal Material	Brass-Nickel Plated
Seal Material	Silicon

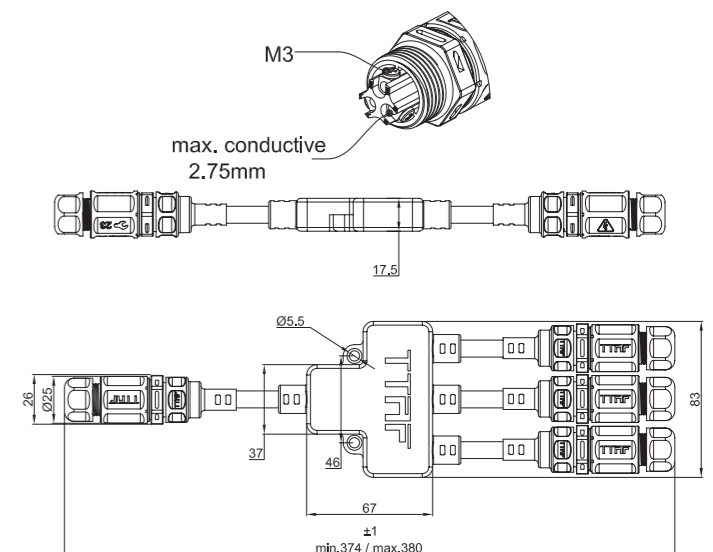


WPA SERIES

3 Pin Screw Connection Electrical Splitter
1 In x 3 Out
Product Code - WPA-0304N20
Waterproof Splitter Series



Number of Pins	3
Voltage Rating	250VAC max.
Current Rating	20A max.
Cable Cross Section Area	0,5mm ² ~2,5mm ²
Durability Voltage	1000VAC@60s.
Insulation Structure	500 MΩ at 500 VDC
Contact Resistance	10 mΩ max.
Min. Cable Dimension OD	6mm
Max. Cable Dimension OD	10mm
Temperature Rating	-40°C ~ +85°C
IP Class	IP68 (10m / 60min)
Housing Material	PA6
Contact/Terminal Material	Brass-Nickel Plated



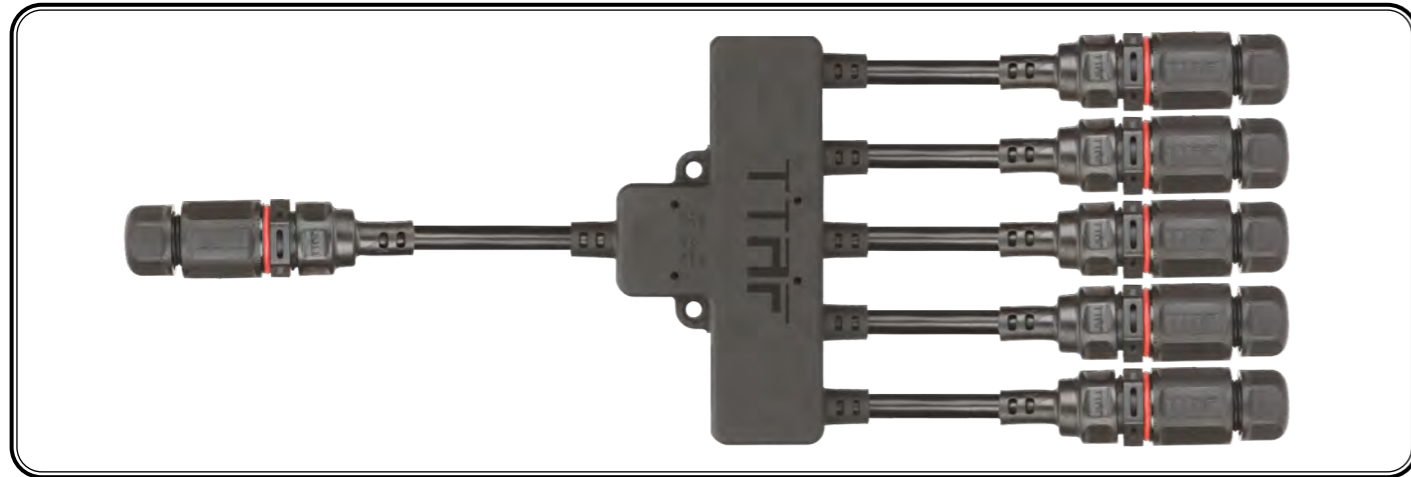
WPA SERIES



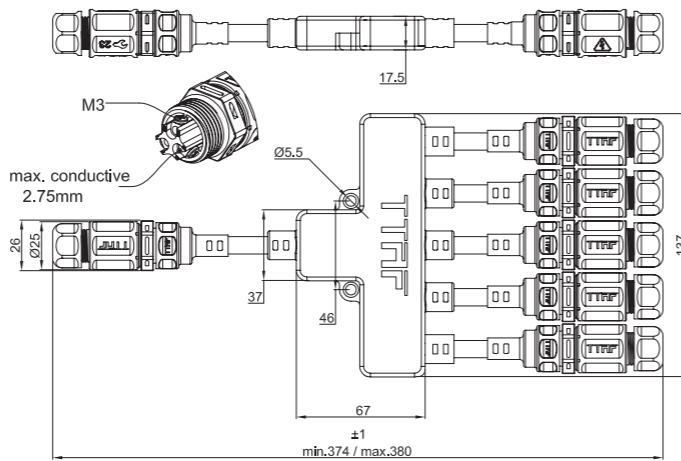
WP BOX SERIES

3 Pin Screw Connection Electrical Splitter 1 In x 5 Out

Product Code - WPA-0306N20
Waterproof Splitter Series



Number of Pins	3
Voltage Rating	250VAC max.
Current Rating	20A max.
Cable Cross Section Area	0,5mm ² ~2,5mm ²
Durability Voltage	1000VAC@60s.
Insulation Structure	500 MΩ at 500 VDC
Contact Resistance	10 mΩ max.
Min. Cable Dimension OD	6mm
Max. Cable Dimension OD	10mm
Temperature Rating	-40°C ~ +85°C
IP Class	IP68 (10m / 60min)
Housing Material	PA6
Contact/Terminal Material	Brass-Nickel Plated



WP BOX SERIES



WP BOX SERIES

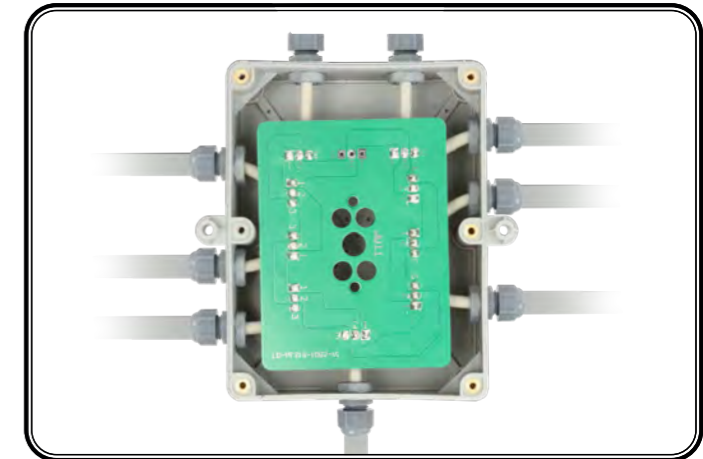
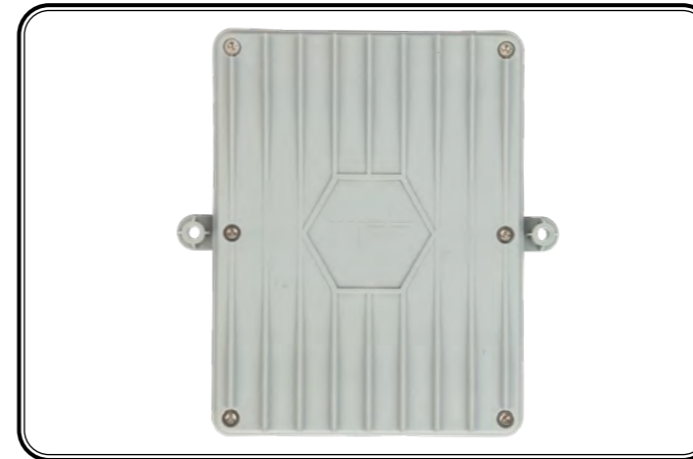
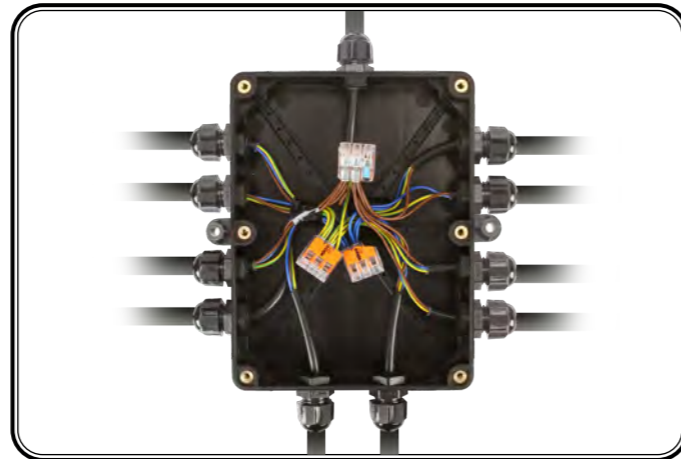
IP Box Waterproof Electrical Splitter

Product Code - WP-BOX-04

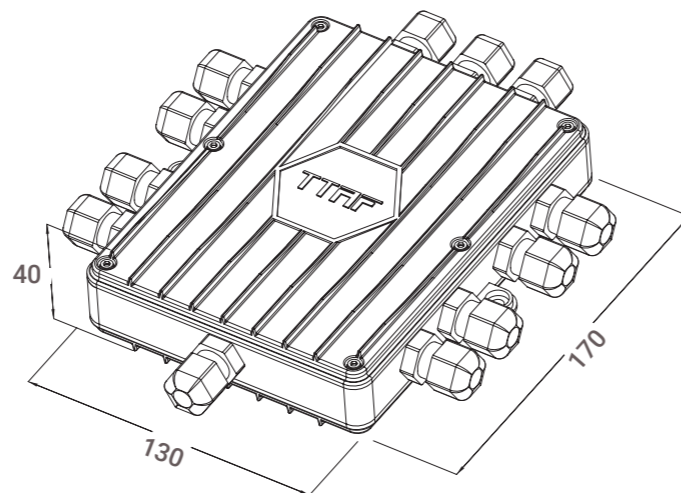


IP Box Waterproof Electrical Splitter

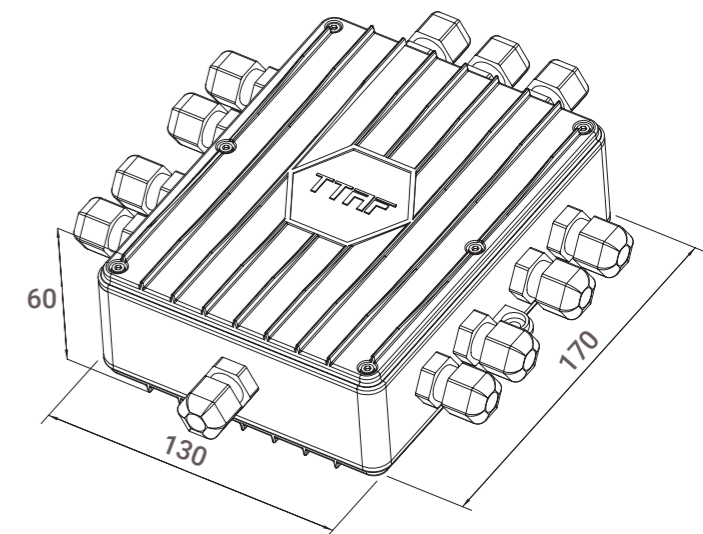
Product Code - WP-BOX-05

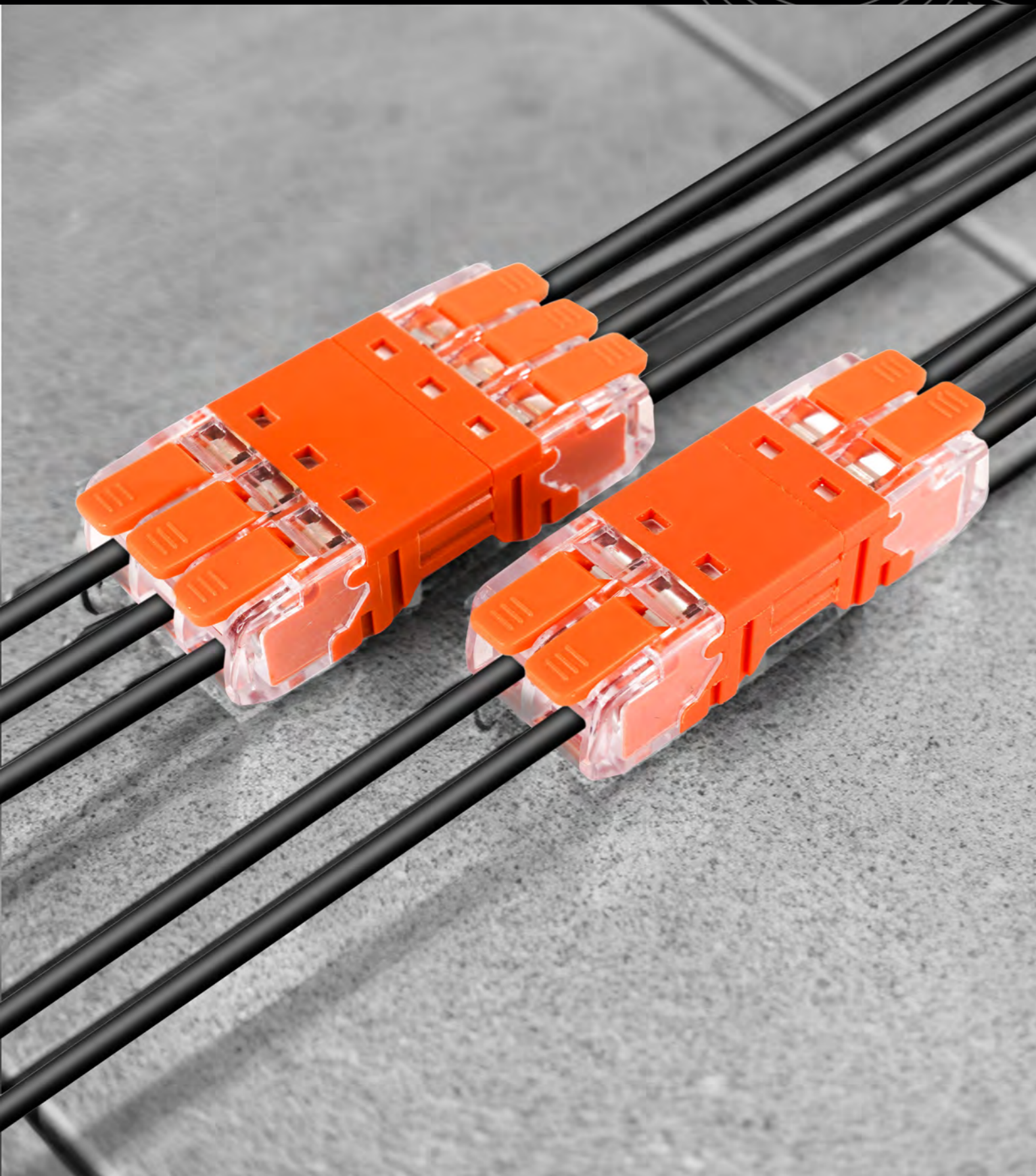


Temperature Rating	-40°C ~ +85°C
IP Class	IP68 (2m / 60min)
Housing Material	ABS-PP
Dimensions	170x130x40mm
Cable Gland Max Diameter	14mm



Temperature Rating	-40°C ~ +85°C
IP Class	IP68 (2m / 60min)
Housing Material	ABS-PP
Dimensions	170x130x60mm
Cable Gland Max Diameter	18mm



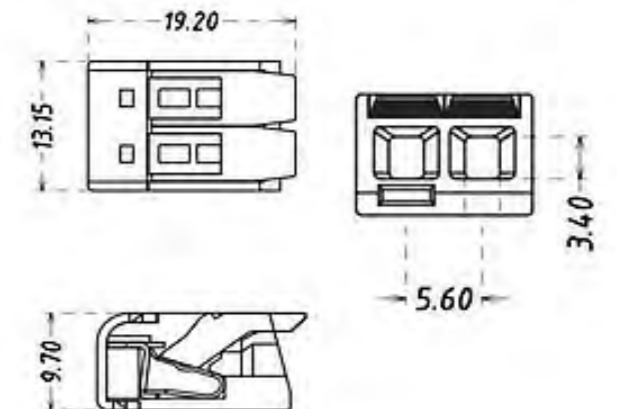


2 Pin Fixed Female Short Connection Terminal Block 0.50-4MM²

Product Code - KLM-39



Number of Pins	2
Voltage Rating	450V
Current Rating	10A
Cable Diameter	24-12 AWG
Temperature Resistance	10.50mm
Length/Width/Height	18.6 X 13.1 X 8.3
Cable Diameter (Solid)	0.2-4mm ²
Cable Diameter (Fine)	0.14-4mm ²
Temperature Rating	-40°C ~ +105°C
Contact/Terminal Material	Copper
Housing Material	UL94V 2
Wire Section	0,50-4mm

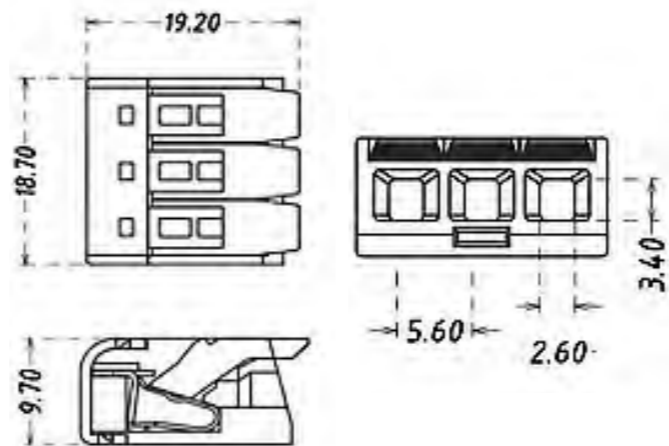


KLM SERIES

3 Pin Fixed Female Short Connection Terminal Block 0.50-4MM²
Product Code - KLM-40



Number of Pins	3
Voltage Rating	450V
Current Rating	10A
Cable Diameter	24-12 AWG
Temperature Resistance	10.50mm
Length/Width/Height	18.6 X 18.1 X 8.3
Cable Diameter (Solid)	0.2-4mm ²
Cable Diameter (Fine)	0.14-4mm ²
Temperature Rating	-40°C ~ +105°C
Contact/Terminal Material	Copper
Housing Material	UL94V 2
Wire Section	0,50-4mm

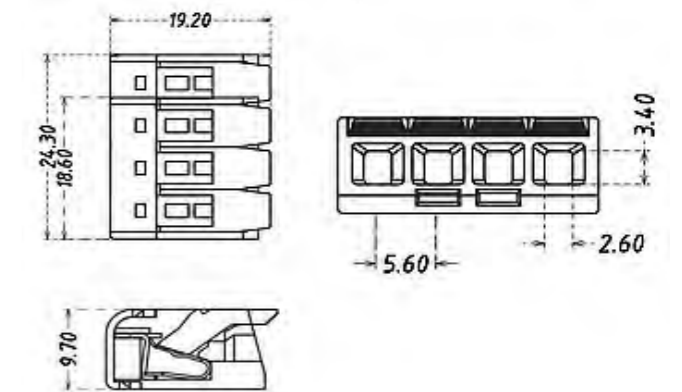


KLM SERIES

4 Pin Fixed Female Short Connection Terminal Block 0.50-4MM²
Product Code - KLM-41



Number of Pins	4
Voltage Rating	450V
Current Rating	10A
Cable Diameter	24-12 AWG
Temperature Resistance	10.50mm
Length/Width/Height	18.6 X 24.2 X 8.3
Cable Diameter (Solid)	0.2-4mm ²
Cable Diameter (Fine)	0.14-4mm ²
Temperature Rating	-40°C ~ +105°C
Contact/Terminal Material	Copper
Housing Material	UL94V 2
Wire Section	0,50-4mm



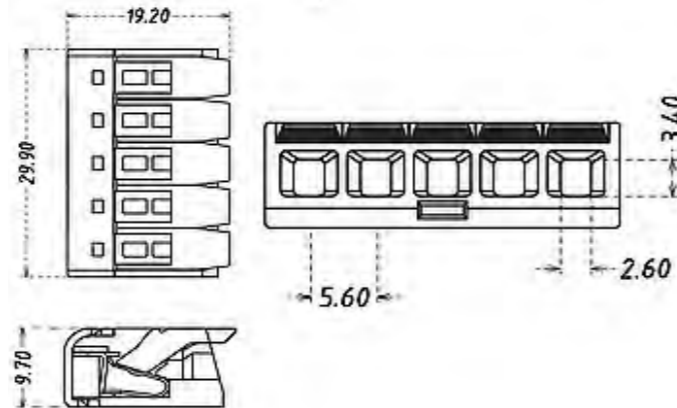
KLM SERIES

5 Pin Fixed Female Short Connection Terminal Block 0.50-4MM²

Product Code - KLM-64



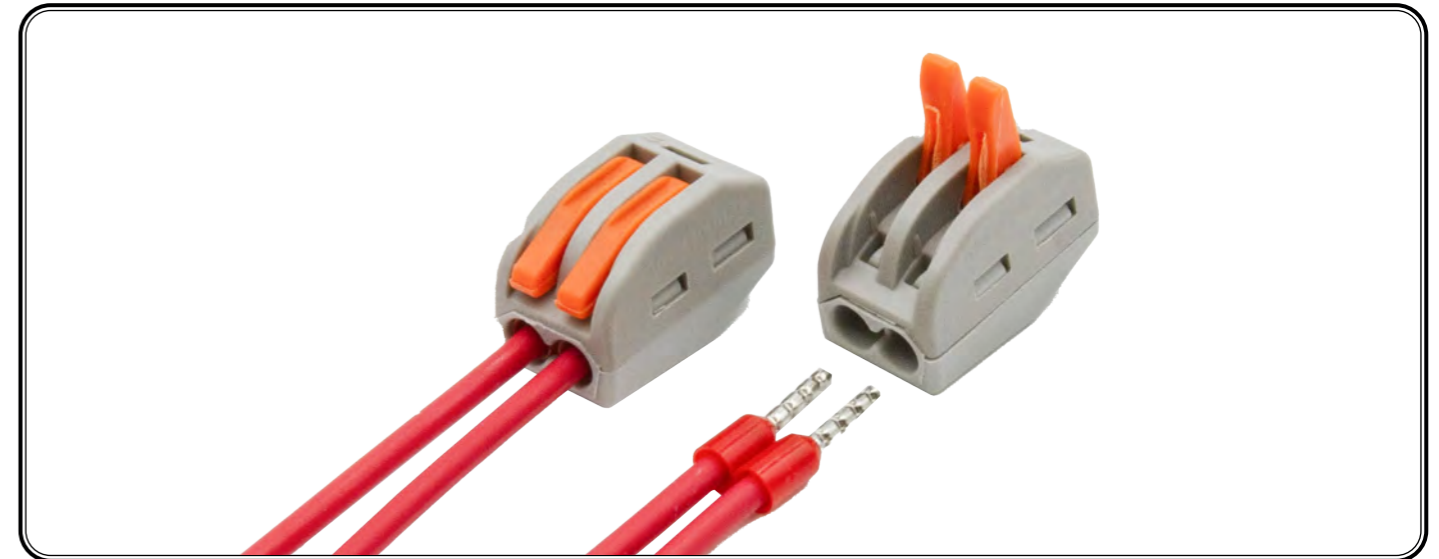
Number of Pins	5
Voltage Rating	450V
Current Rating	10A
Cable Diameter	24-12 AWG
Temperature Resistance	10.50mm
Length/Width/Height	18.6 X 29.9 X 8.3
Cable Diameter (Solid)	0.2-4mm ²
Cable Diameter (Fine)	0.14-4mm ²
Temperature Rating	-40°C ~ +105°C
Contact/Terminal Material	Copper
Housing Material	UL94V 2
Wire Section	0,50-4mm



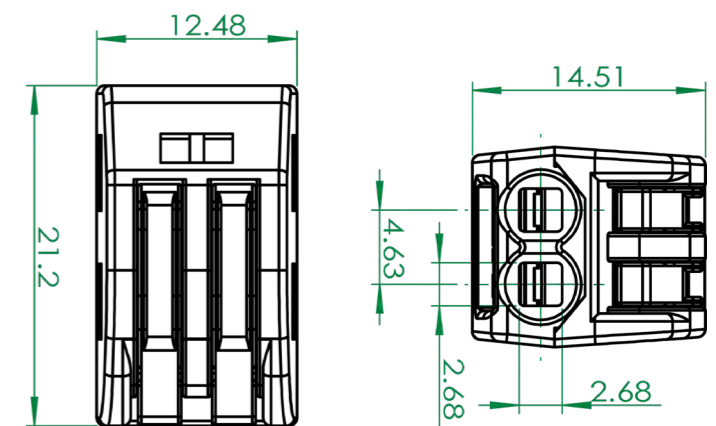
KLM SERIES

2 Pin Screwless Fixed Terminal Block

Product Code - KLM-47

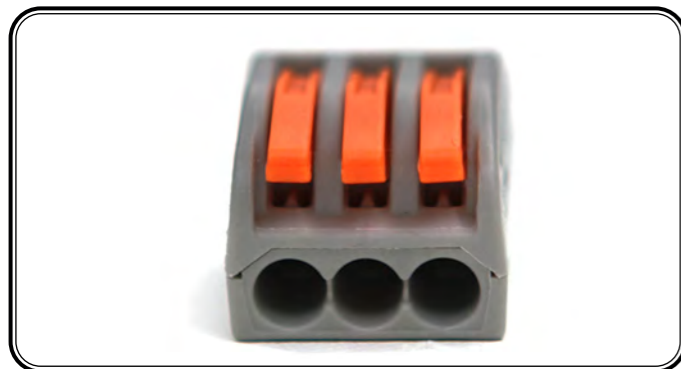
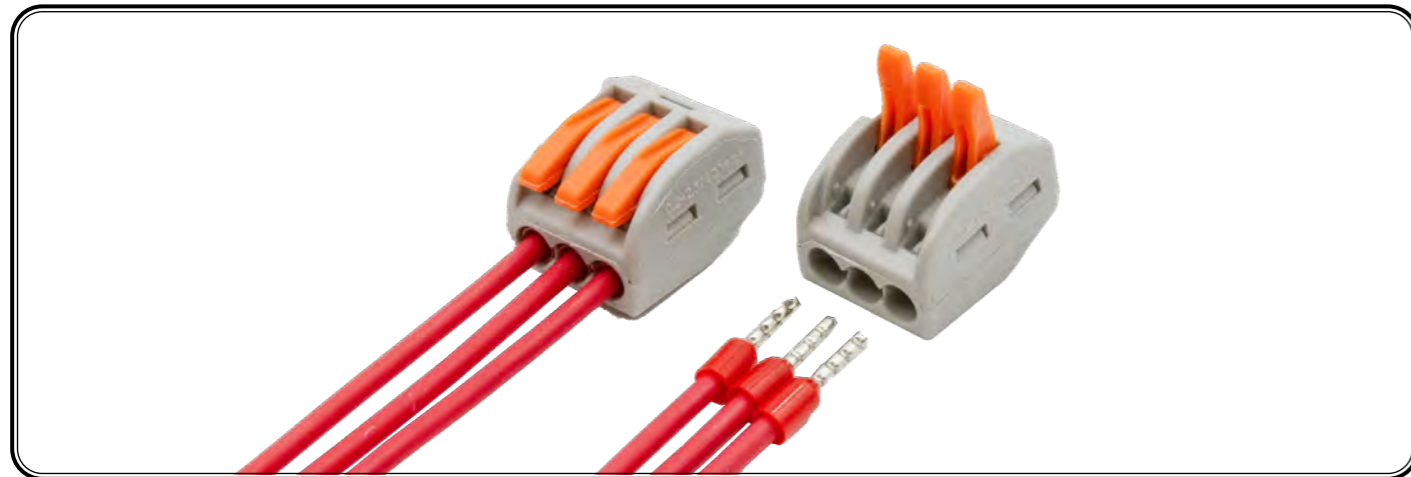


Reference Value	IEC
Voltage Rating	400V.
Number of Pins	2
Insulation Structure	≥1000MΩ
Current Rating	32A max.
Contact Resistance	≤0.015 Ω
Cable Diameter (Solid)	0.5-4mm ²
Cable Diameter (Fine)	0.5-2.5mm ²
Temperature Rating	-40°C ~ +105°C
Contact/Terminal Material	Copper
Housing Material	PA6

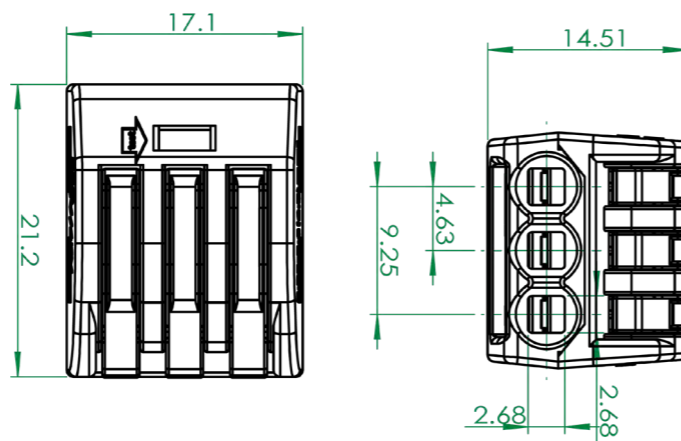


KLM SERIES

3 Pin Screwless Fixed Terminal Block
Product Code - KLM-48

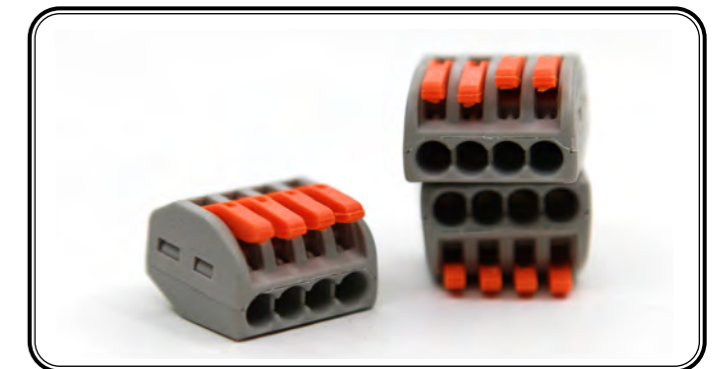
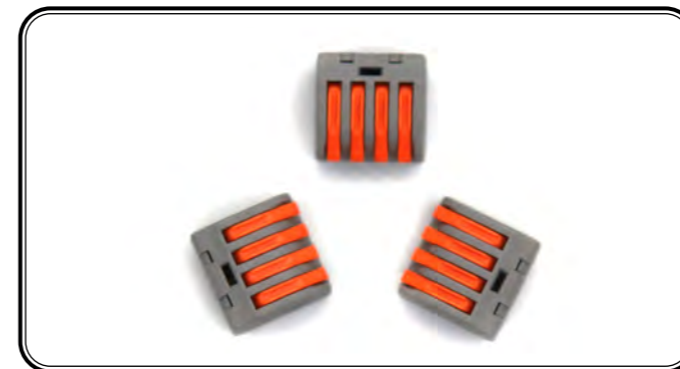
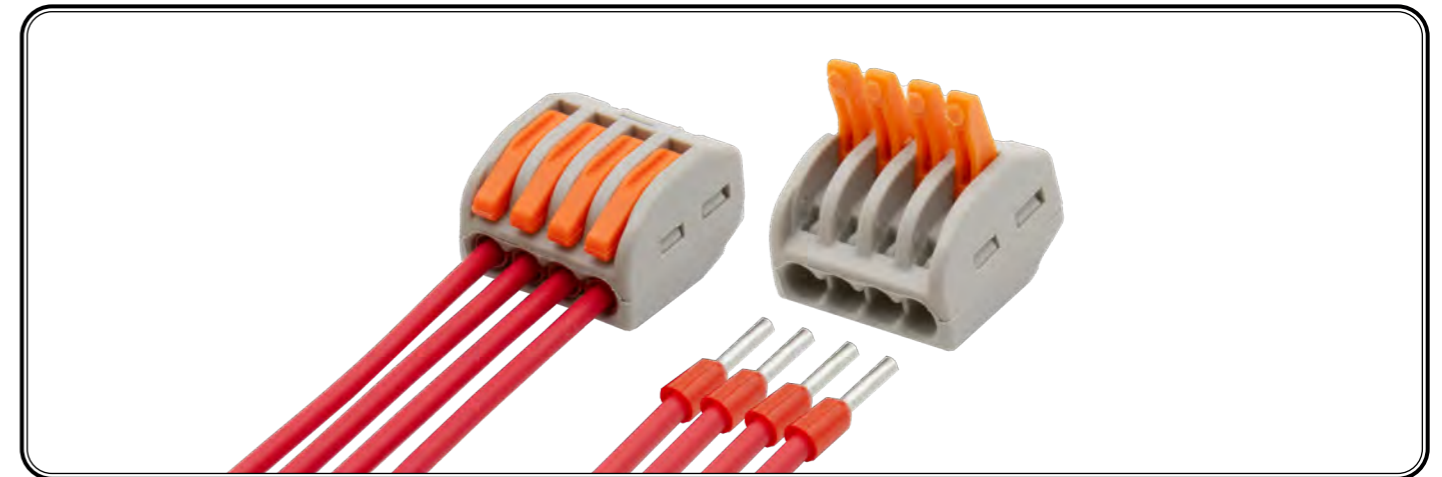


Reference Value	IEC
Voltage Rating	400v.
Number of Pins	3
Insulation Structure	≥1000MΩ
Current Rating	32A max.
Contact Resistance	≤0.015 Ω
Cable Diameter (Solid)	0.5-4mm ²
Cable Diameter (Fine)	0.5-2.5mm ²
Temperature Rating	-40°C ~ +105°C
Contact/Terminal Material	Copper
Housing Material	PA6

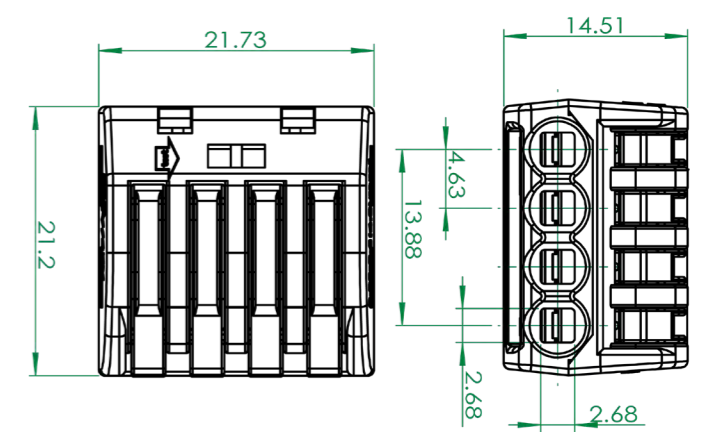


KLM SERIES

4 Pin Screwless Fixed Terminal Block
Product Code - KLM-49



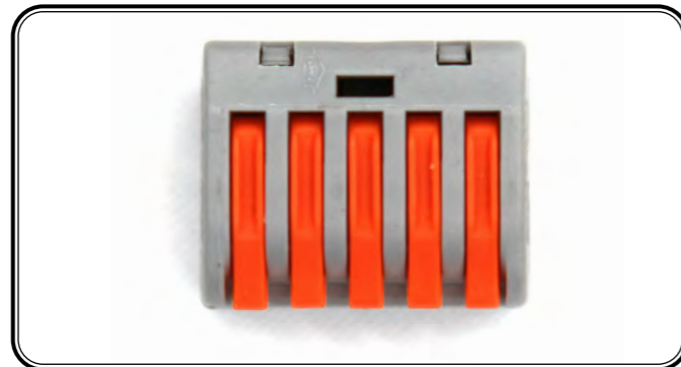
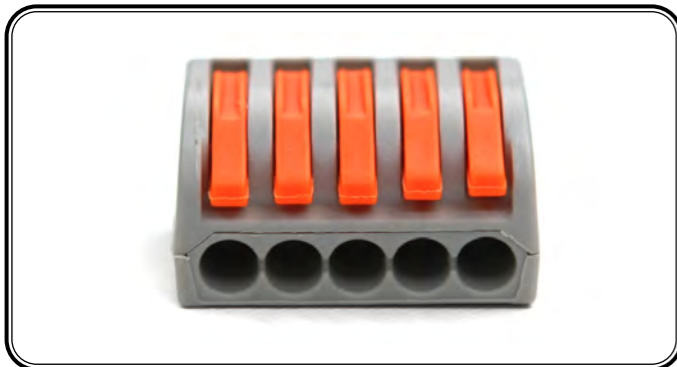
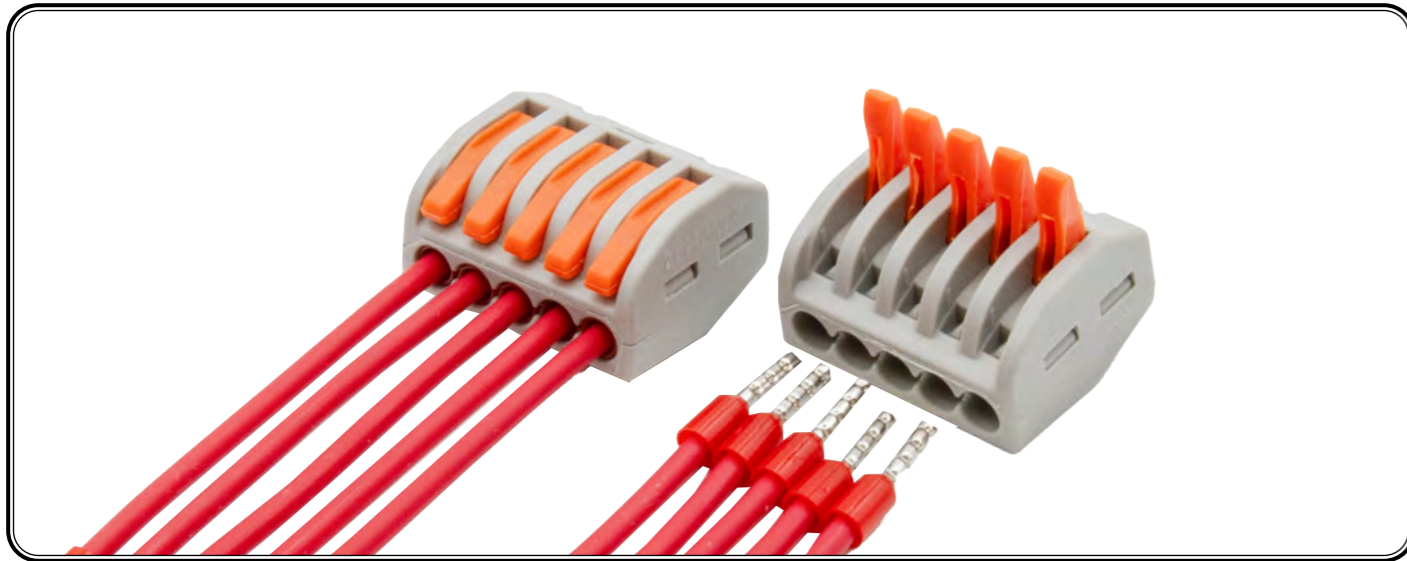
Reference Value	IEC
Voltage Rating	400V.
Number of Pins	4
Insulation Structure	≥1000MΩ
Current Rating	32A max.
Contact Resistance	≤0.015 Ω
Cable Diameter (Solid)	0.5-4mm ²
Cable Diameter (Fine)	0.5-2.5mm ²
Temperature Rating	-40°C ~ +105°C
Contact/Terminal Material	Copper
Housing Material	PA6



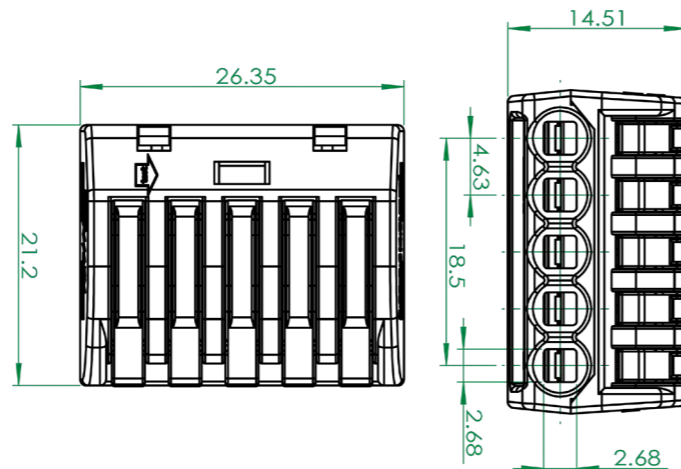
KLM SERIES

5 Pin Fixed Screwless Terminal Block

Product Code - KLM-50



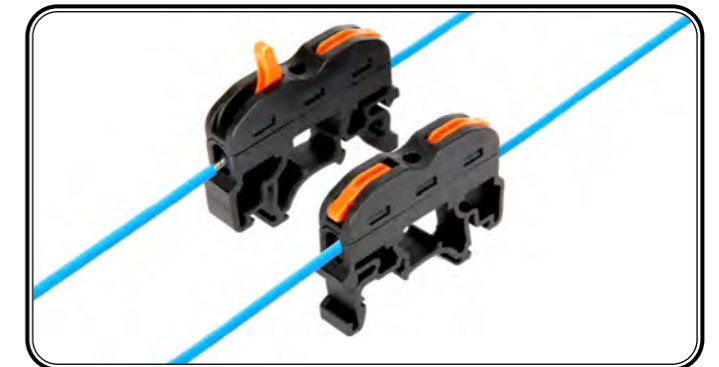
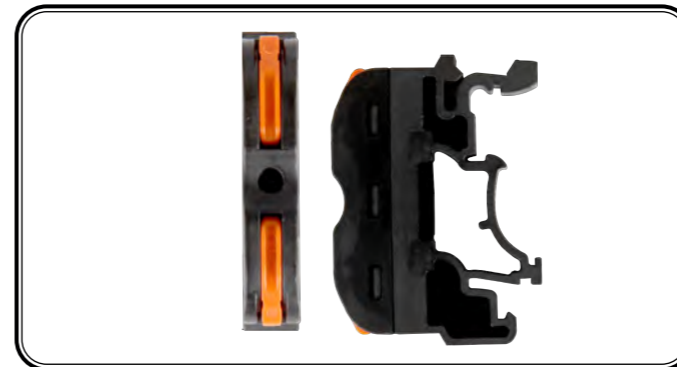
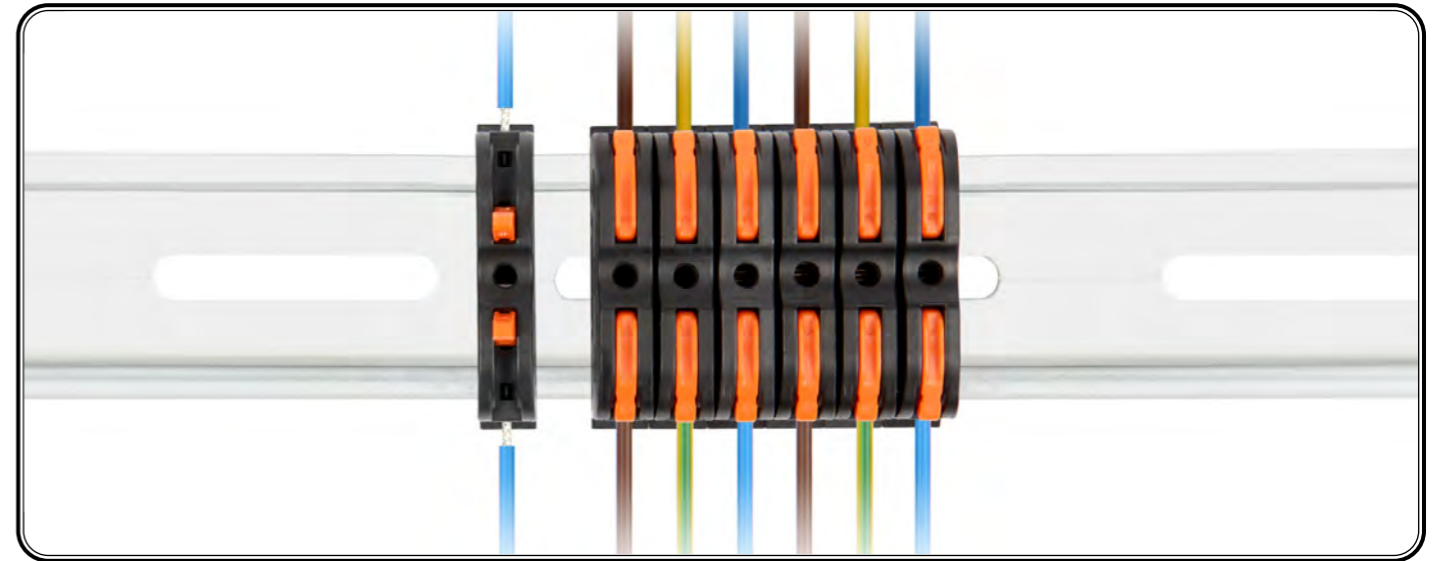
Reference Value	IEC
Voltage Rating	400v.
Number of Pins	5
Insulation Structure	≥1000MΩ
Current Rating	32A max.
Contact Resistance	≤0.015 Ω
Cable Diameter (Solid)	0.5-4mm ²
Cable Diameter (Fine)	0.5-2.5mm ²
Temperature Rating	-40°C ~ +105°C
Contact/Terminal Material	Copper
Housing Material	PA6



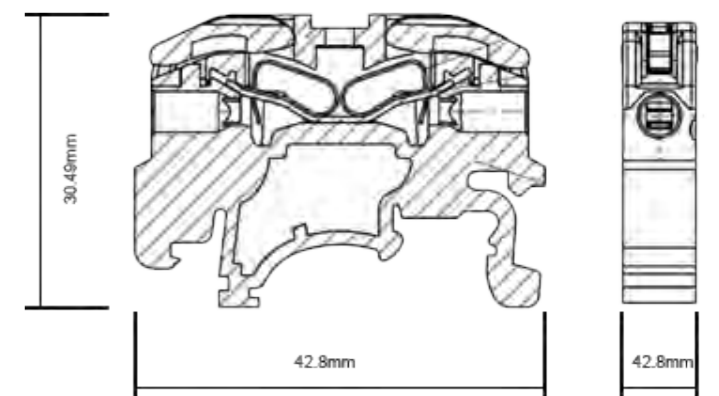
KLM SERIES

1 Pin Rail Type Screwless Terminal Block

Product Code - KLM-29-SY



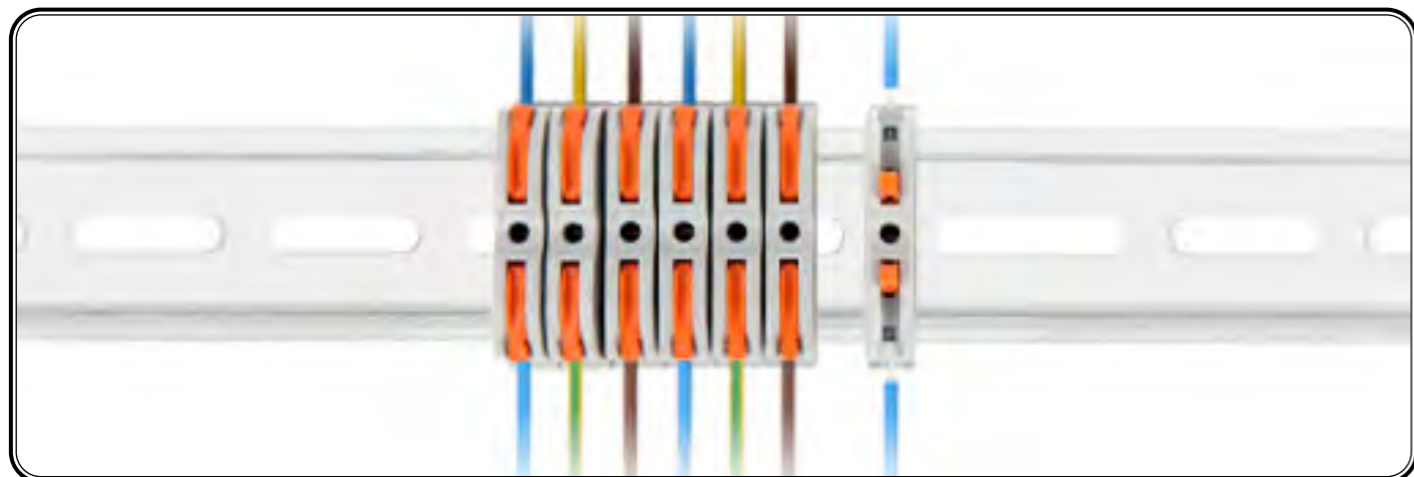
Number of Pins	1
Voltage Rating	250V /600V.
Current Rating	32A max.
Cable Diameter	28-12 AWG
Temperature Resistance	25
Length/Width/Height	42.8 X 8 X 30.49
Connection Resistance	0.015 mΩ
Contact Resistance	1000 MΩ
Temperature Rating	-40°C ~ +105°C
Contact/Terminal Material	Brass Nickel Plated
Housing Material	Nylon UL 94V 2 (0) PA66



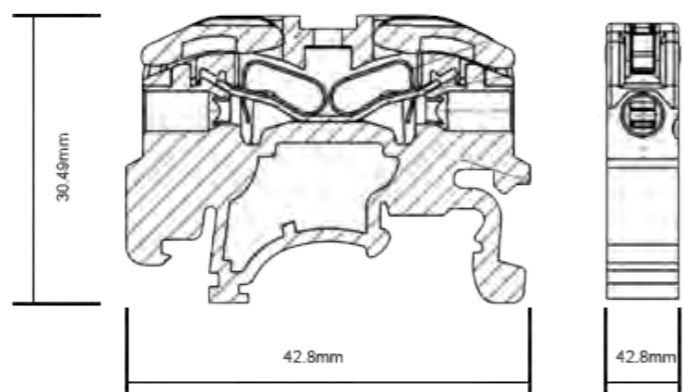
KLM SERIES

1 Pin Rail Type Screwless Terminal Block

Product Code - KLM-29-G



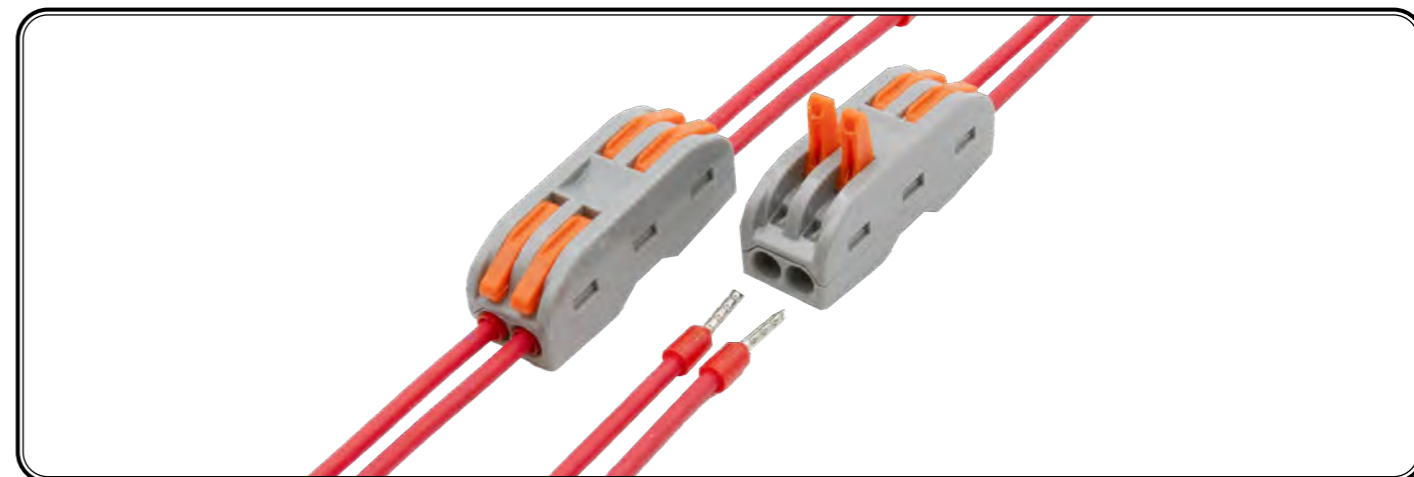
Number of Pins	1
Voltage Rating	250V /600V.
Current Rating	32A max.
Cable Diameter	28-12 AWG
Temperature Resistance	25
Length/Width/Height	42.8 X8 X 30.49
Connection Resistance	0.015 mΩ
Contact Resistance	1000 MΩ
Temperature Rating	-40°C ~ +105°C
Contact/Terminal Material	Brass Nickel Plated
Housing Material	Nylon UL 94V 2 (0) PA66



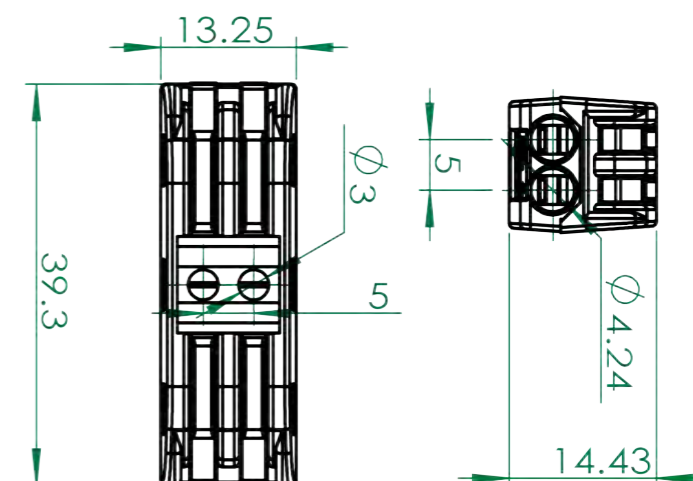
KLM SERIES

2 In 2 Out Screwless Terminal Block 12-28 AWG

Product Code - KLM-51



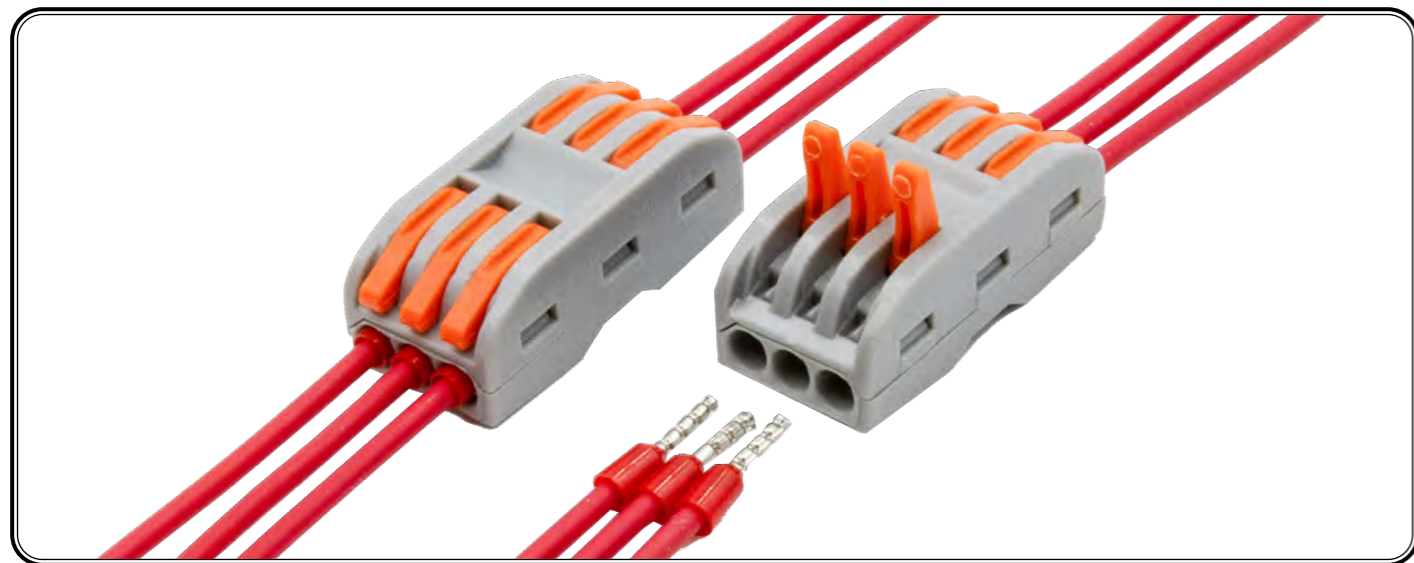
Number of Pins	2
Voltage Rating	250V./600V.
Length/Width/Height	39.3 X 13.25 X 14.43
Insulation Resistance	≥1000MΩ
Current Rating	32A max.
Contact Resistance	≤0.015 Ω
Cable Diameter (Solid)	0.5-4mm ²
Cable Diameter (Fine)	0.5-2.5mm ²
Temperature Rating	-40°C ~ +105°C
Contact/Terminal Material	Copper
Housing Material	PC UL94V 2



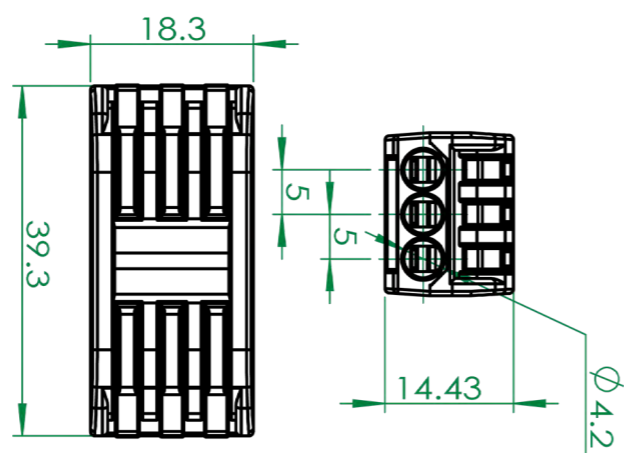
KLM SERIES

3 In 3 Out Screwless Terminal Block 12-28 AWG

Product Code - KLM-52



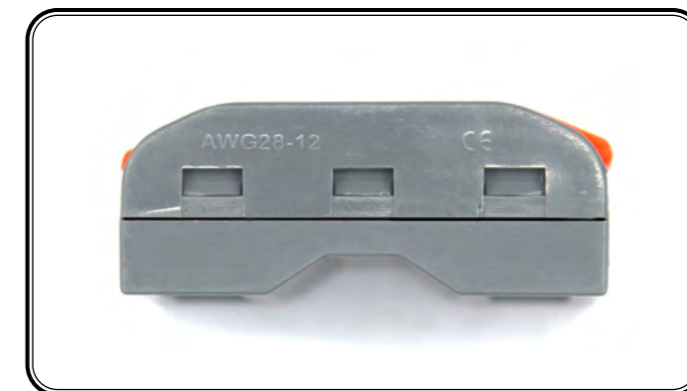
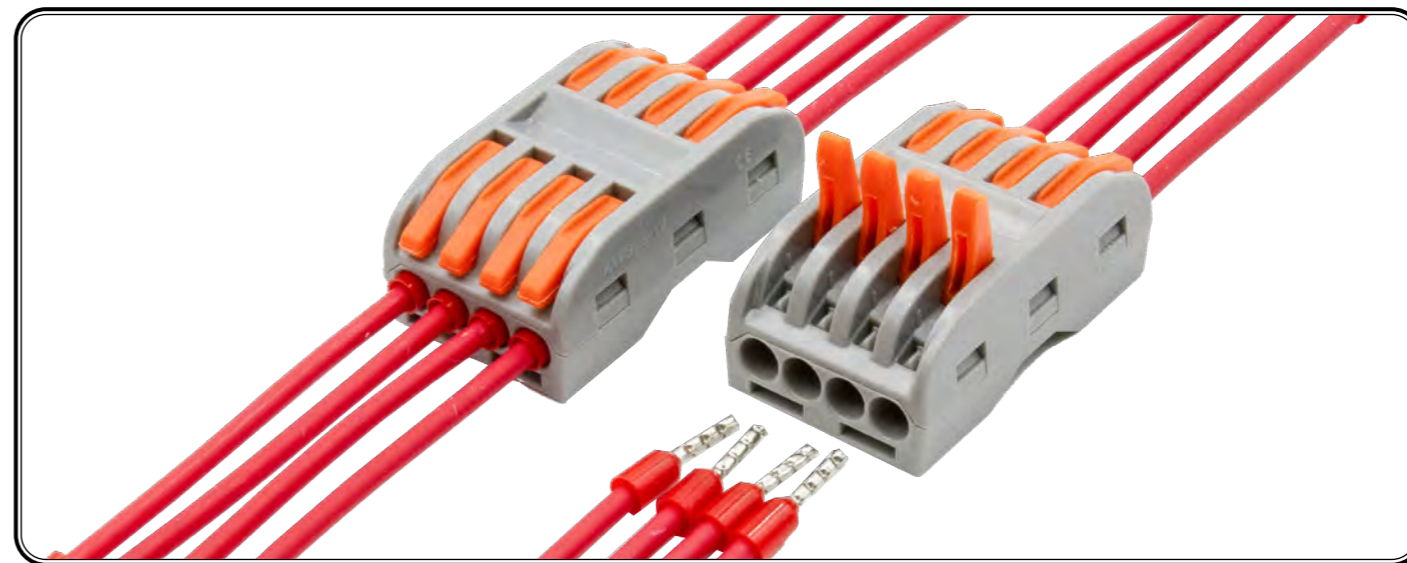
Reference Value	IEC
Voltage Rating	400v.
Number of Pins	3
Insulation Structure	≥1000MΩ
Current Rating	32A max.
Contact Resistance	≤0.015 Ω
Cable Diameter (Solid)	0.5-4mm ²
Cable Diameter (Fine)	0.5-2.5mm ²
Temperature Rating	-40°C ~ +105°C
Contact/Terminal Material	Copper
Housing Material	PC UL94V 2



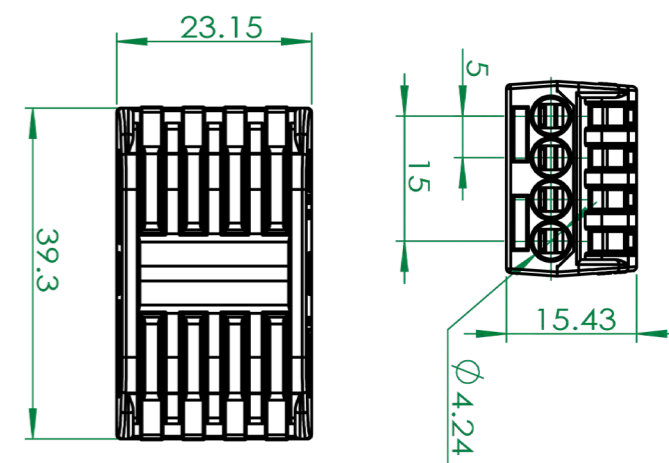
KLM SERIES

4 Input 4 Output Screwless Terminal Block 12-28 AWG

Product Code - KLM-53



Reference Value	IEC
Voltage Rating	400V.
Number of Pins	4
Insulation Structure	≥1000MΩ
Current Rating	32A max.
Contact Resistance	≤0.015 Ω
Cable Diameter (Solid)	0.5-4mm ²
Cable Diameter (Fine)	0.5-2.5mm ²
Temperature Rating	-40°C ~ +105°C
Contact/Terminal Material	Copper
Housing Material	PC UL94V 2

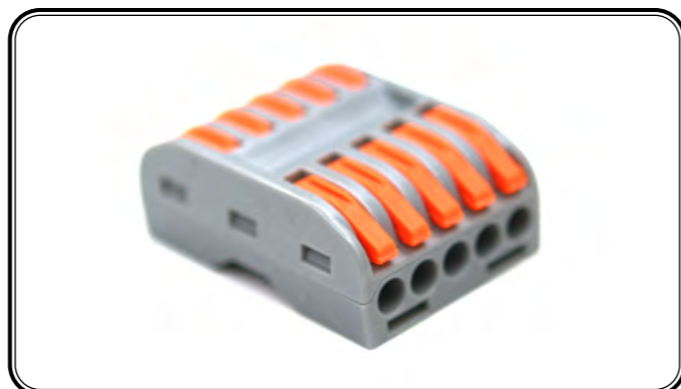
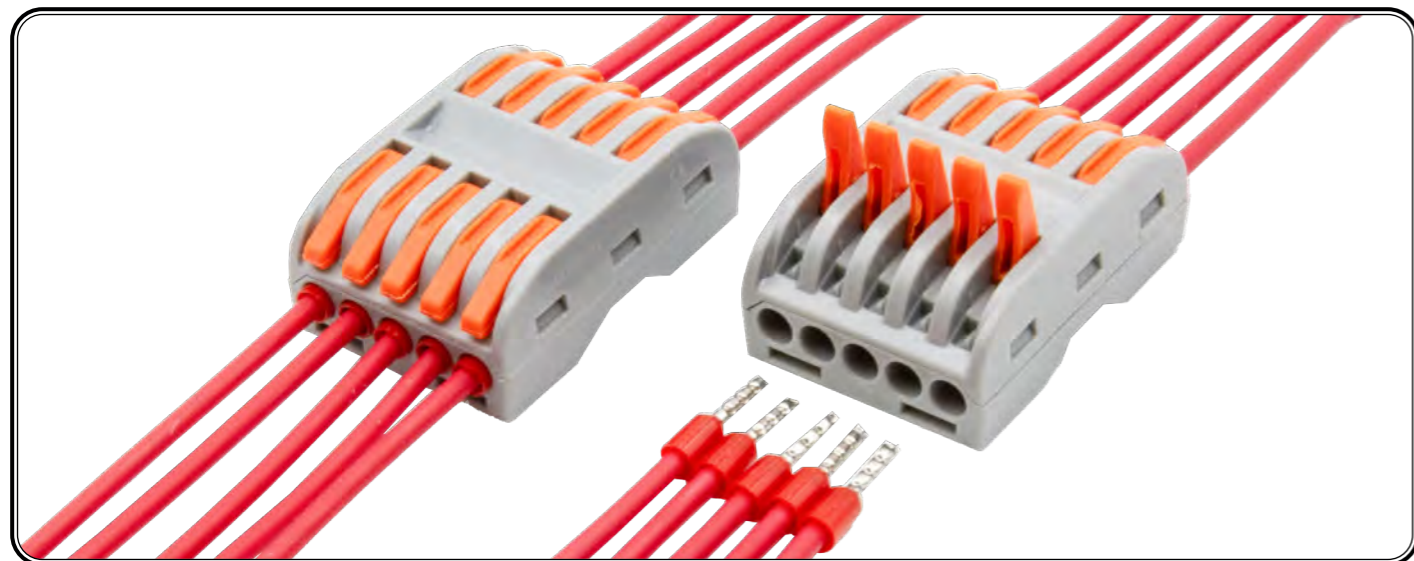


KLM SERIES

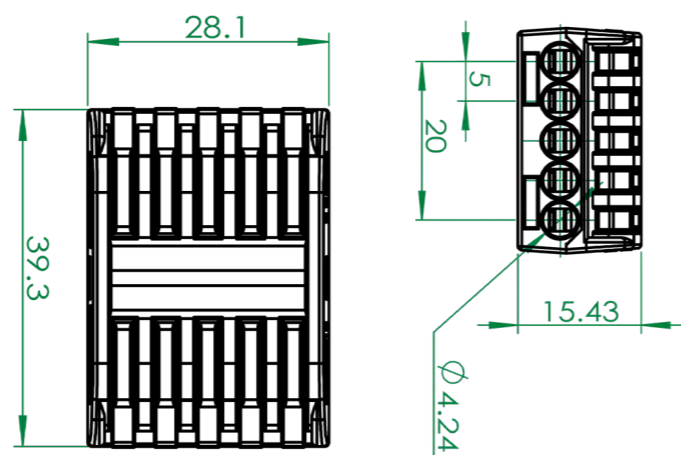


KLM SERIES

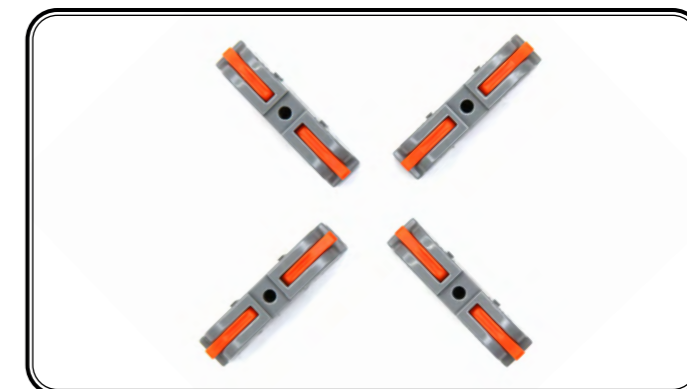
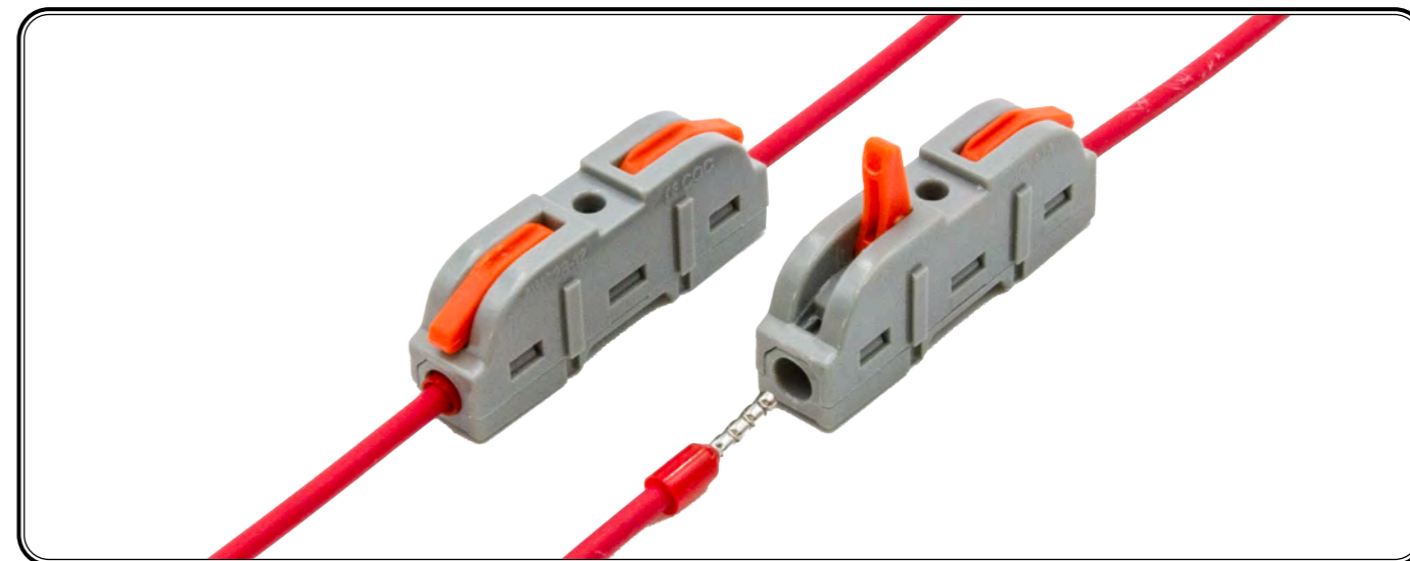
5 Input 5 Output Screwless Terminal Block 12-28 AWG
Product Code - KLM-54



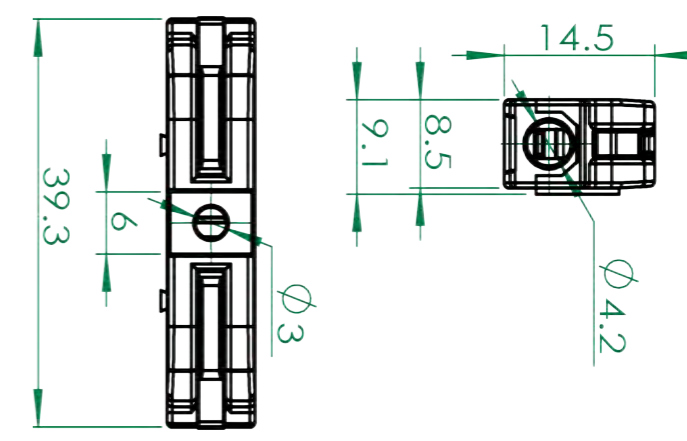
Reference Value	IEC
Voltage Rating	400v.
Number of Pins	5
Insulation Structure	≥1000MΩ
Current Rating	32A max.
Contact Resistance	≤0.015 Ω
Cable Diameter (Solid)	0.5-4mm ²
Cable Diameter (Fine)	0.5-2.5mm ²
Temperature Rating	-40°C ~ +105°C
Contact/Terminal Material	Copper
Housing Material	PC UL94V 2



1 Input 1 Output Screwless Terminal Block 12-28 AWG
Product Code - KLM-57

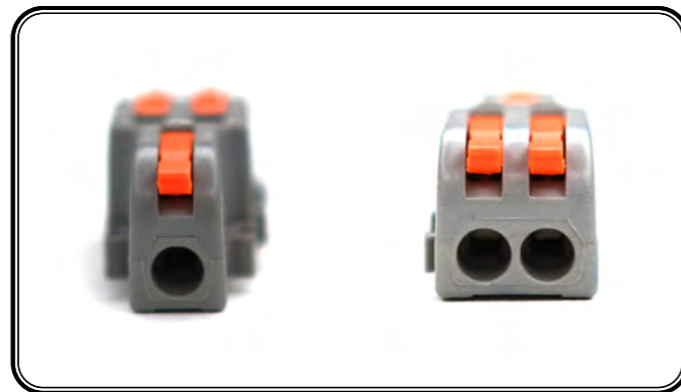
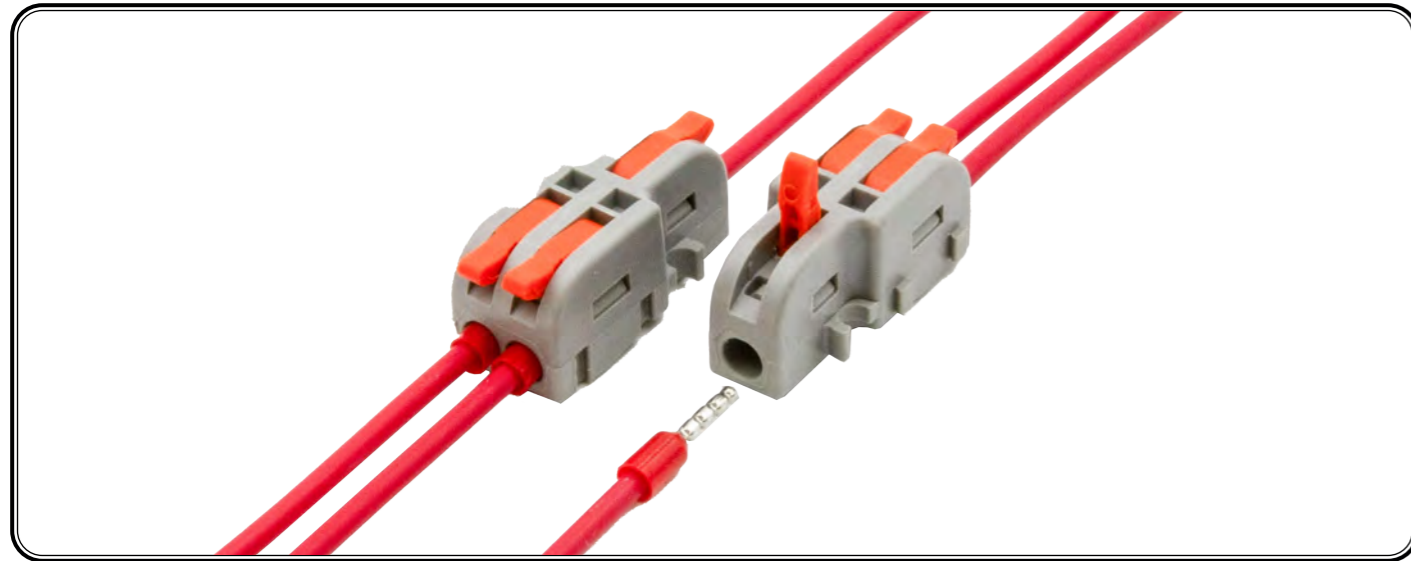


Reference Value	IEC
Voltage Rating	400V.
Number of Pins	1 In x 1 Out
Insulation Structure	≥1000MΩ
Current Rating	32A max.
Contact Resistance	≤0.015 Ω
Cable Diameter (Solid)	0.5-4mm ²
Cable Diameter (Fine)	0.5-2.5mm ²
Temperature Rating	-40°C ~ +105°C
Contact/Terminal Material	Copper
Housing Material	PC UL94V 2

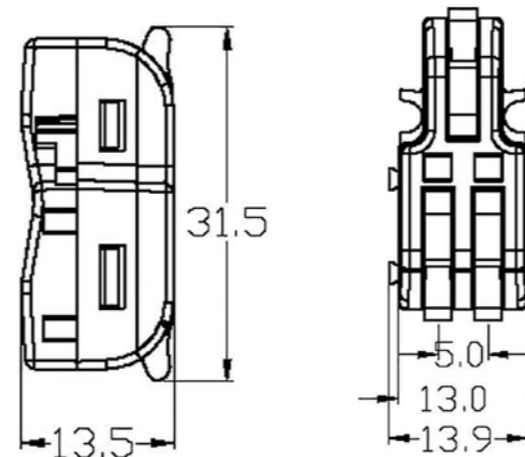


KLM SERIES

1 Input 2 Output Screwless Terminal Block 12-28 AWG
Product Code - KLM-58

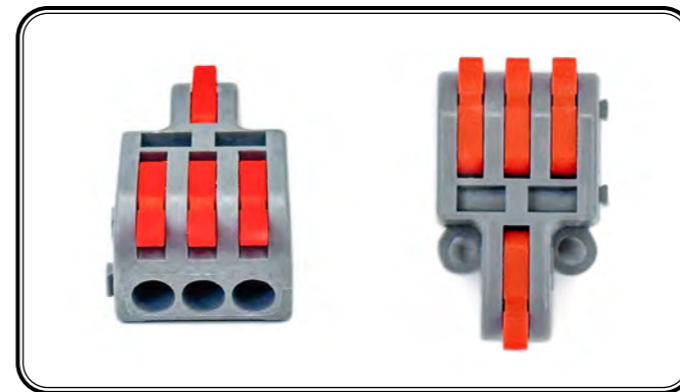
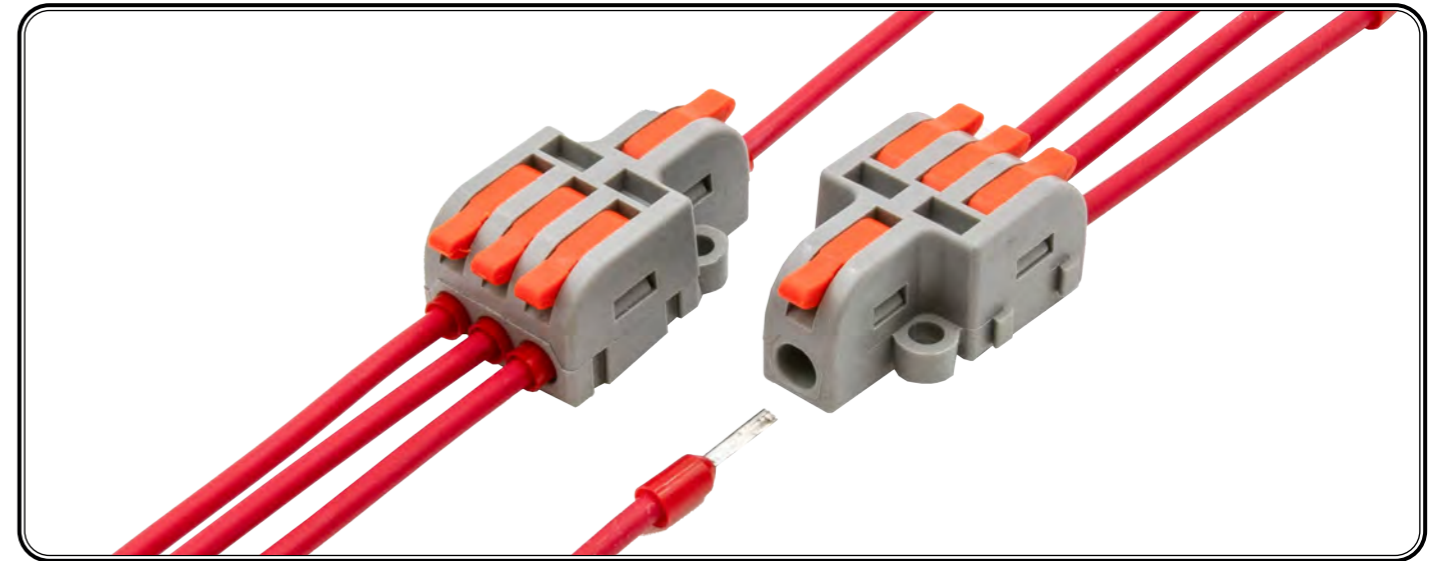


Reference Value	IEC
Voltage Rating	250V
Number of Pins	1 In 2 Out
Insulation Structure	≥1000MΩ
Current Rating	32A max.
Contact Resistance	≤0.015 Ω
Cable Diameter (Solid)	0.5-4mm ²
Cable Diameter (Fine)	0.5-2.5mm ²
Temperature Rating	-40°C ~ +105°C
Contact/Terminal Material	Copper
Housing Material	PA6 V2

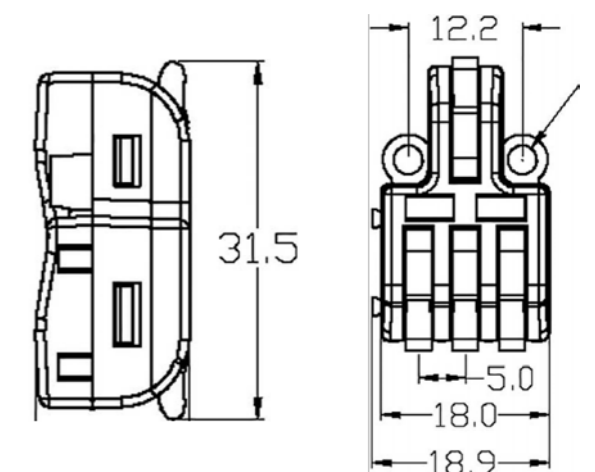


KLM SERIES

1 Input 3 Output Screwless Terminal Block 12-28 AWG
Product Code - KLM-59

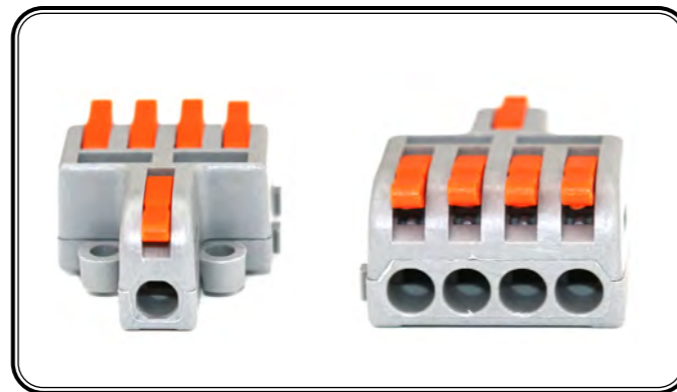
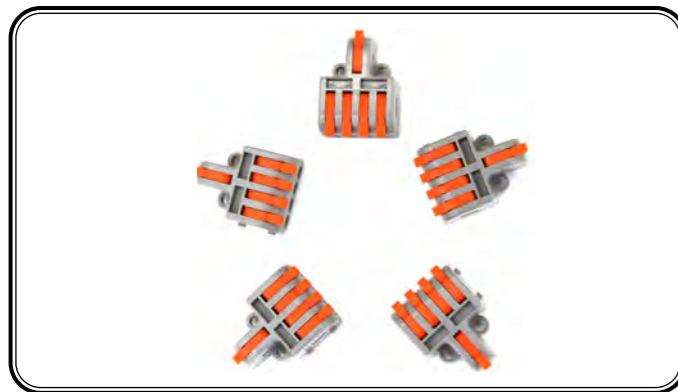
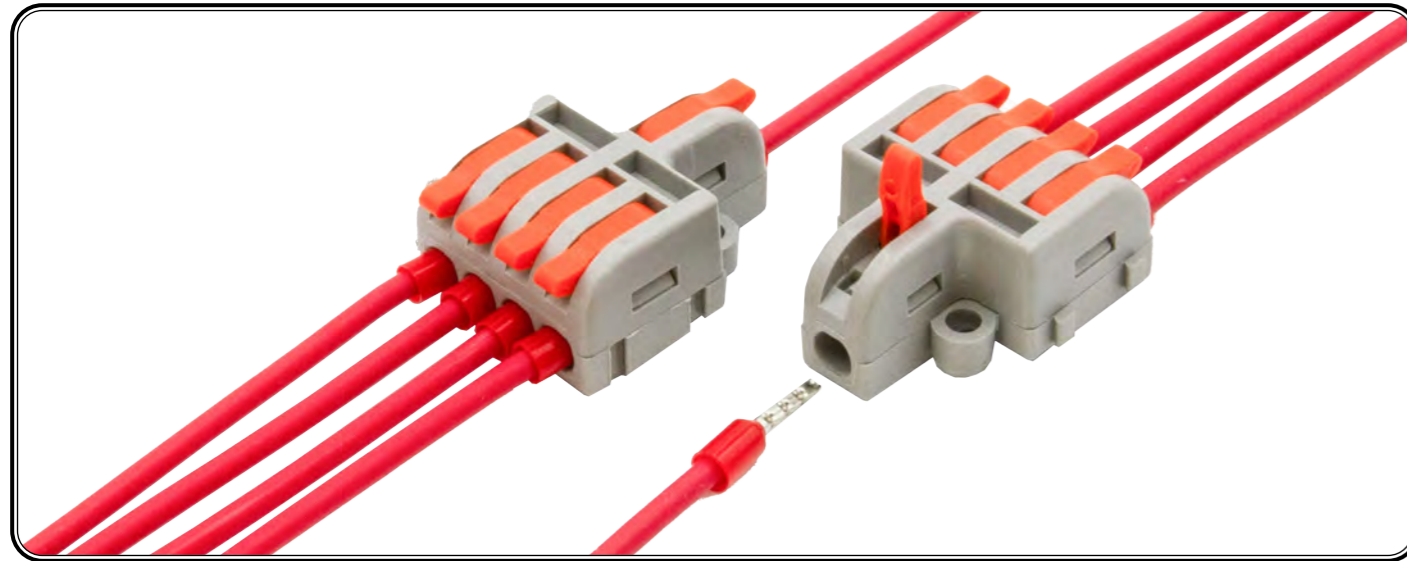


Reference Value	IEC
Voltage Rating	400V.
Number of Pins	1 In 3 Out
Insulation Structure	≥1000MΩ
Current Rating	32A max.
Contact Resistance	≤0.015 Ω
Cable Diameter (Solid)	0.5-4mm ²
Cable Diameter (Fine)	0.5-2.5mm ²
Temperature Rating	-40°C ~ +105°C
Contact/Terminal Material	Copper
Housing Material	PA6 V2

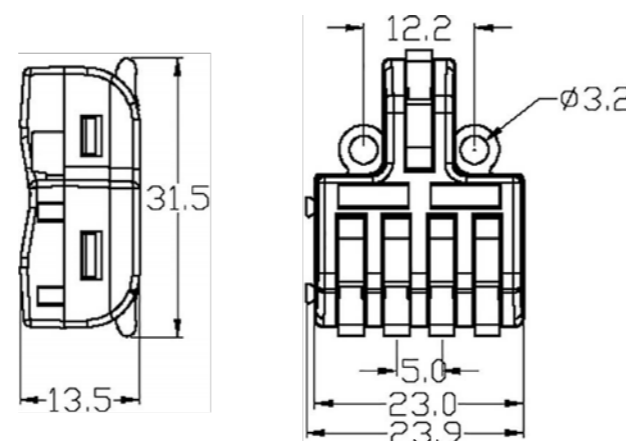


KLM SERIES

1 Input 4 Output Screwless Terminal Block 12-28 AWG
Product Code - KLM-60

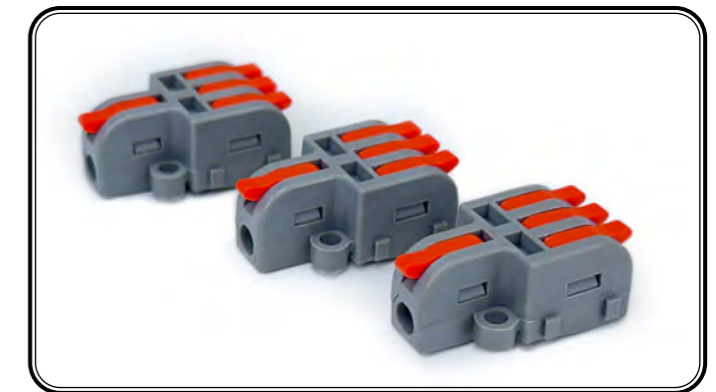
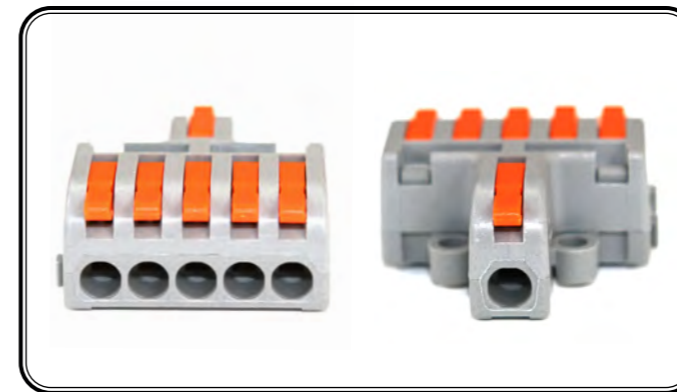
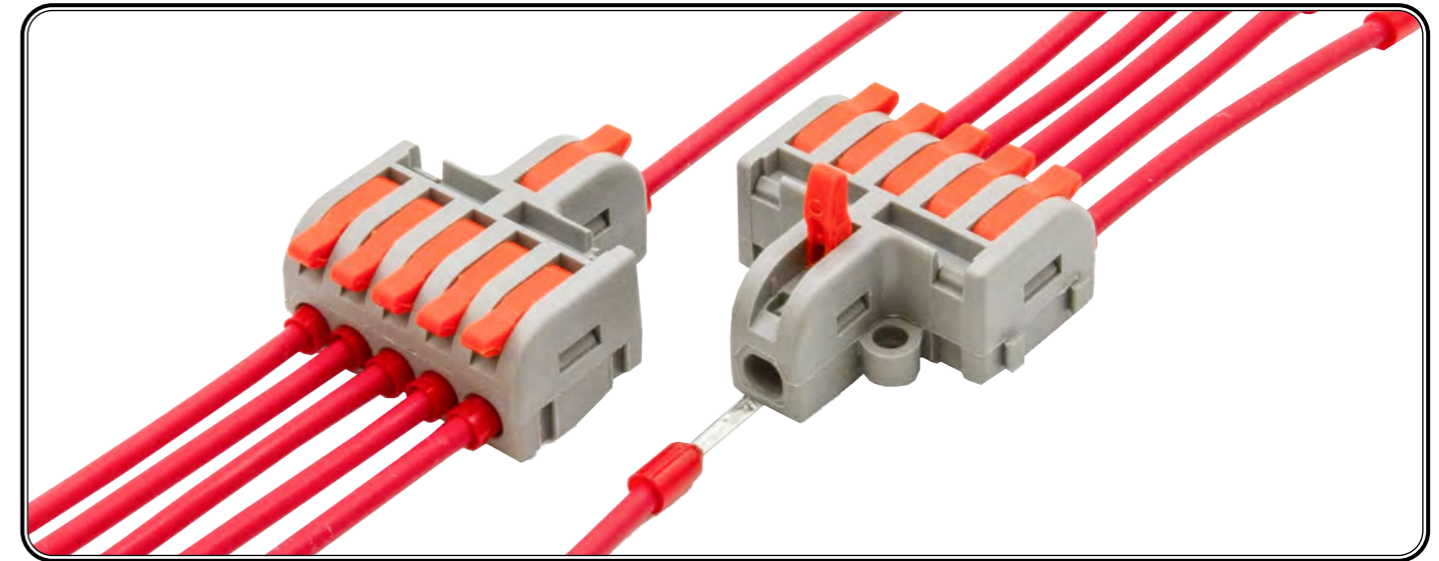


Reference Value	IEC
Voltage Rating	250v.
Number of Pins	1 In 4 Out
Insulation Structure	≥1000MΩ
Current Rating	32A max.
Contact Resistance	≤0.015 Ω
Cable Diameter (Solid)	0.5-4mm ²
Cable Diameter (Fine)	0.5-2.5mm ²
Temperature Rating	-40°C ~ +105°C
Contact/Terminal Material	Copper
Housing Material	PA6 V2

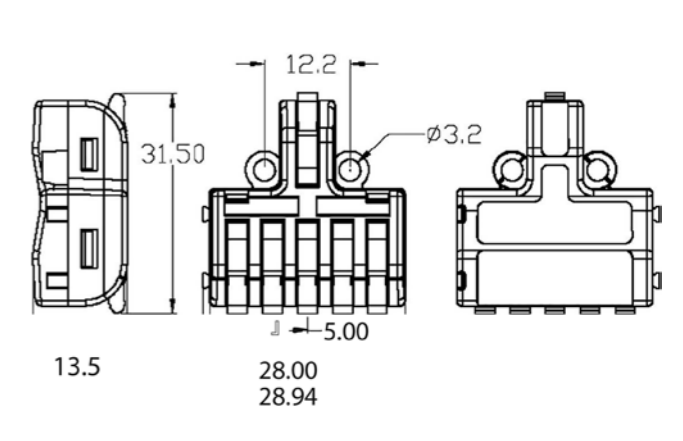


KLM SERIES

1 Input 5 Output Screwless Terminal Block 12-28 AWG
Product Code - KLM-61

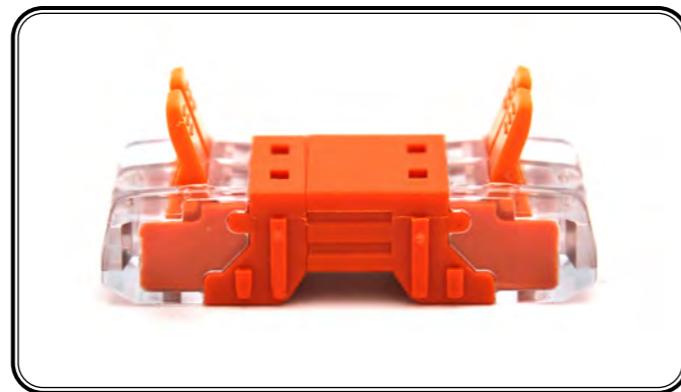
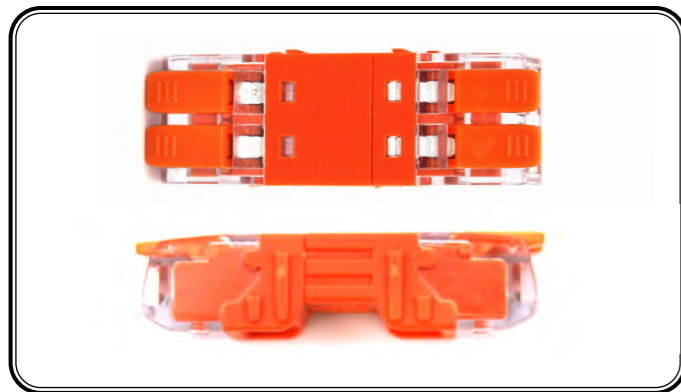
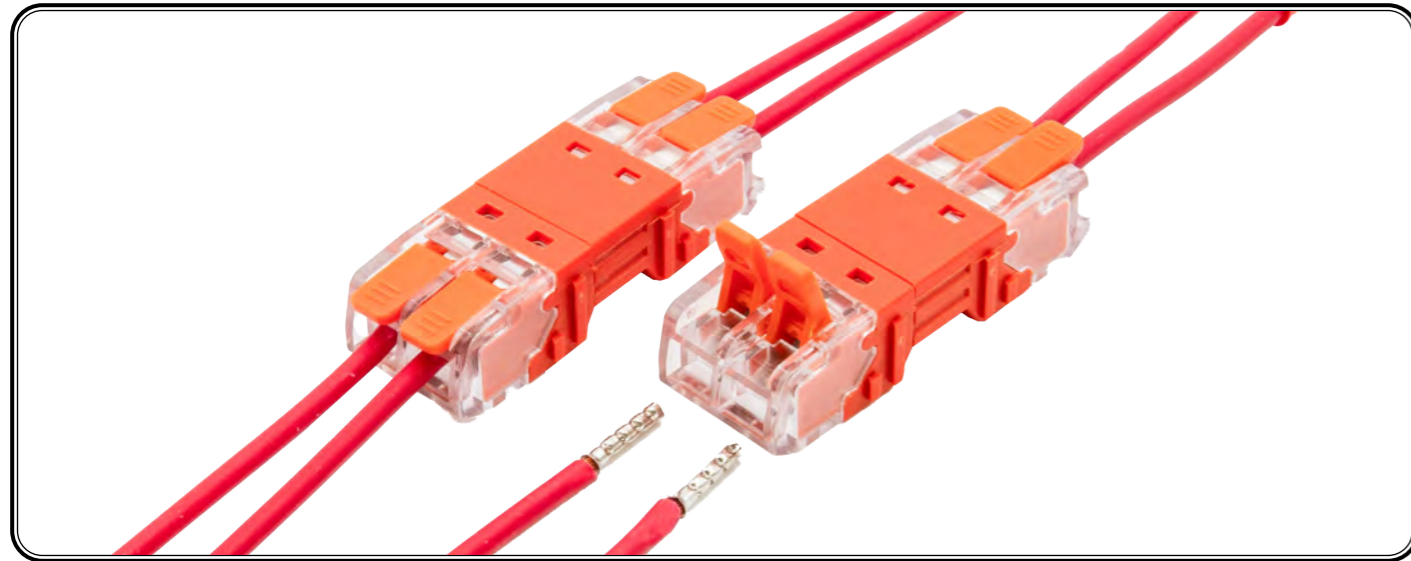


Reference Value	IEC
Voltage Rating	250V.
Number of Pins	1 In 5 Out
Insulation Structure	≥1000MΩ
Current Rating	32A max.
Contact Resistance	≤0.015 Ω
Cable Diameter (Solid)	0.5-4mm ²
Cable Diameter (Fine)	0.5-2.5mm ²
Temperature Rating	-40°C ~ +105°C
Contact/Terminal Material	Copper
Housing Material	PA6 V2

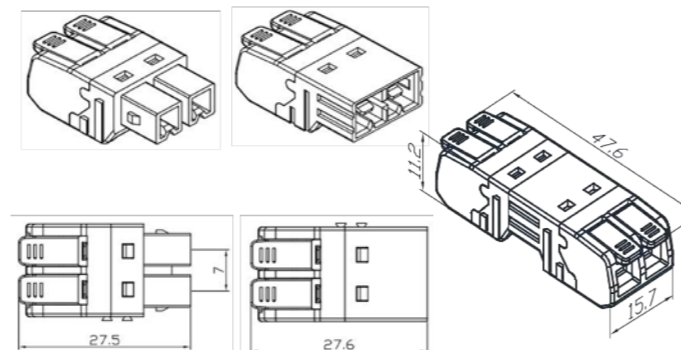


KLM SERIES

2 Pin Female - Male Screwless Terminal Block (0.20-2.5mm²)
Product Code - KLM-62

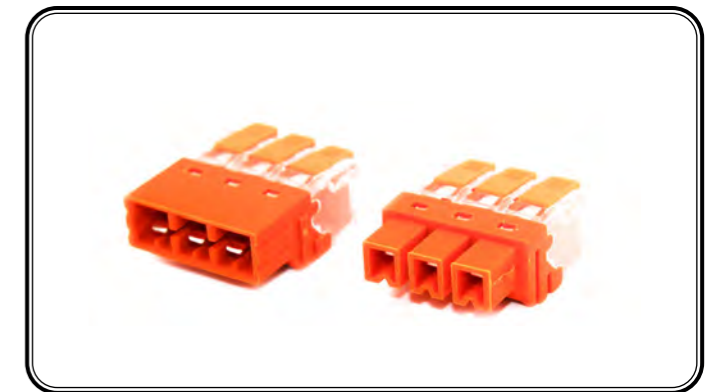
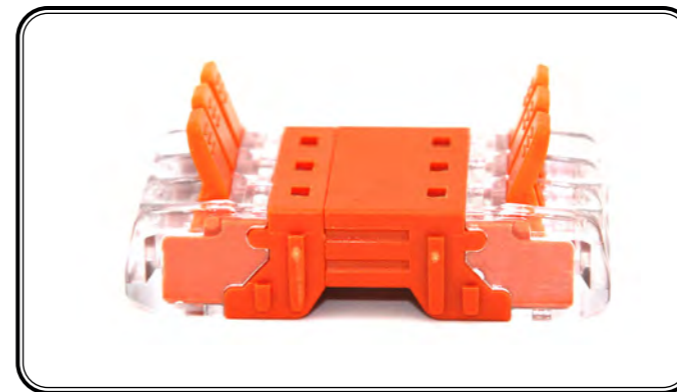
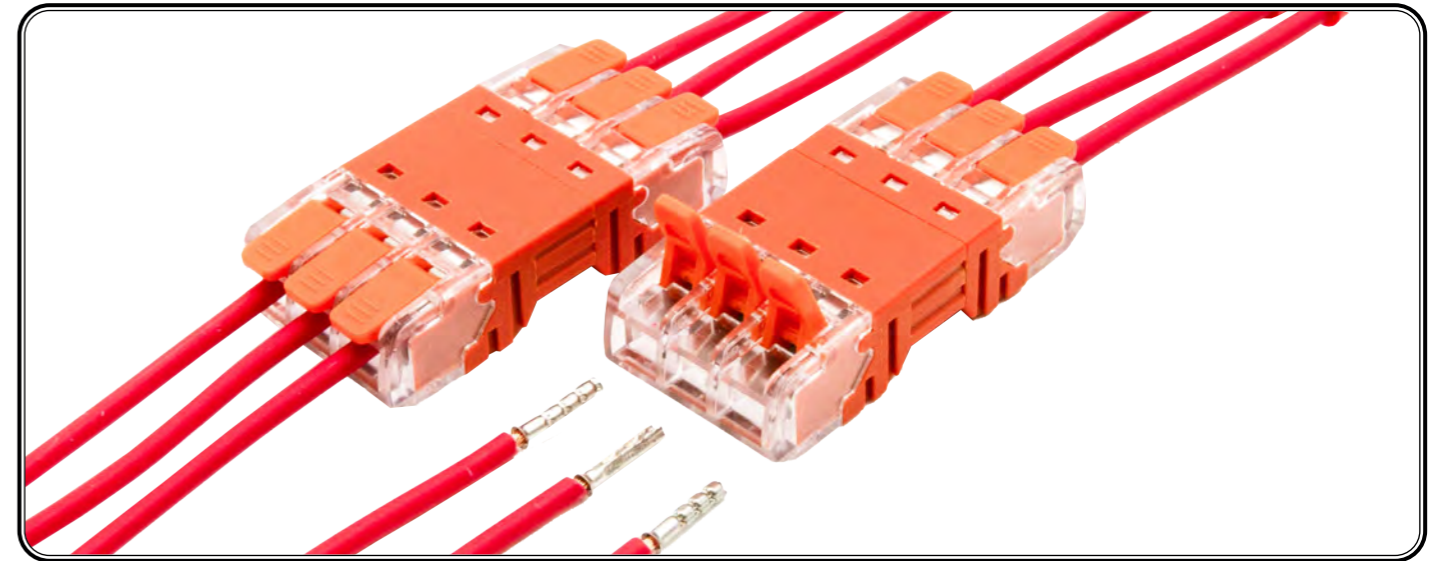


Reference Value	IEC
Voltage Rating	400v.
Number of Pins	2
Insulation Structure	≥1000MΩ
Current Rating	32A max.
Contact Resistance	≤0. 015 Ω
Cable Diameter (Solid)	0.5-4mm ²
Cable Diameter (Fine)	0.5-2.5mm ²
Temperature Rating	-40°C ~ +105°C
Contact/Terminal Material	Copper
Housing Material	PA6

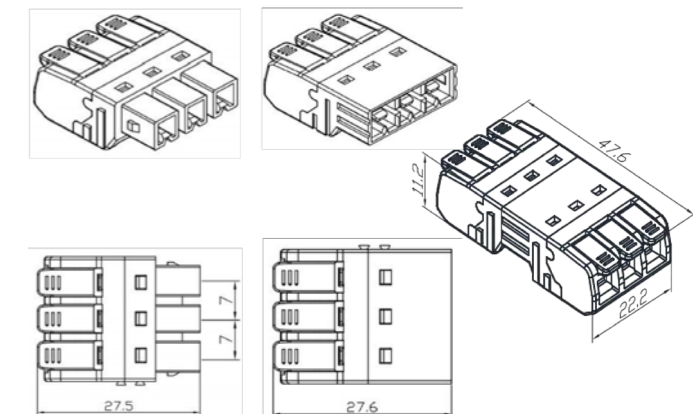


KLM SERIES

3 Pin Female - Male Screwless Terminal Block (0.20-2.5mm²)
Product Code - KLM-63



Reference Value	IEC
Voltage Rating	400V.
Number of Pins	3
Insulation Structure	≥1000MΩ
Current Rating	32A max.
Contact Resistance	≤0. 015 Ω
Cable Diameter (Solid)	0.5-4mm ²
Cable Diameter (Fine)	0.5-2.5mm ²
Temperature Rating	-40°C ~ +105°C
Contact/Terminal Material	Copper
Housing Material	PA6



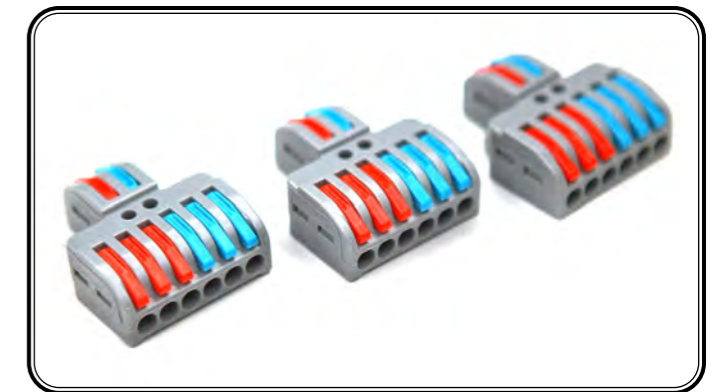
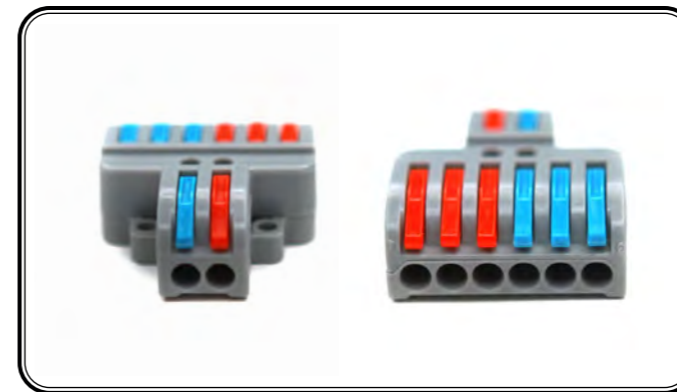
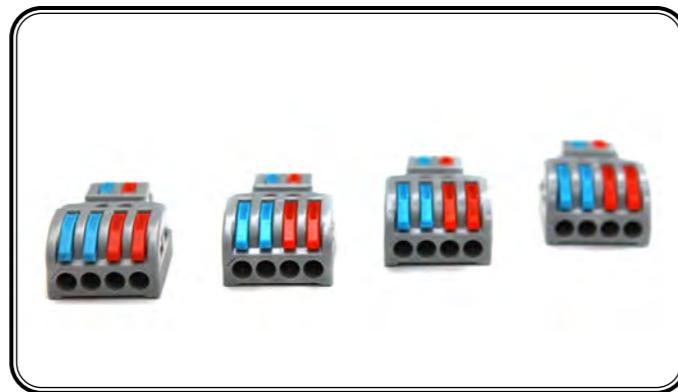
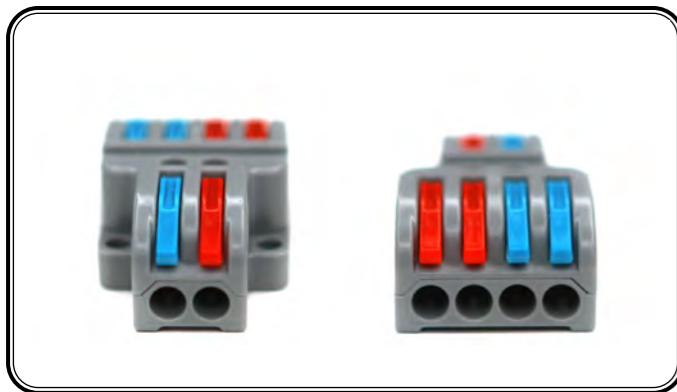
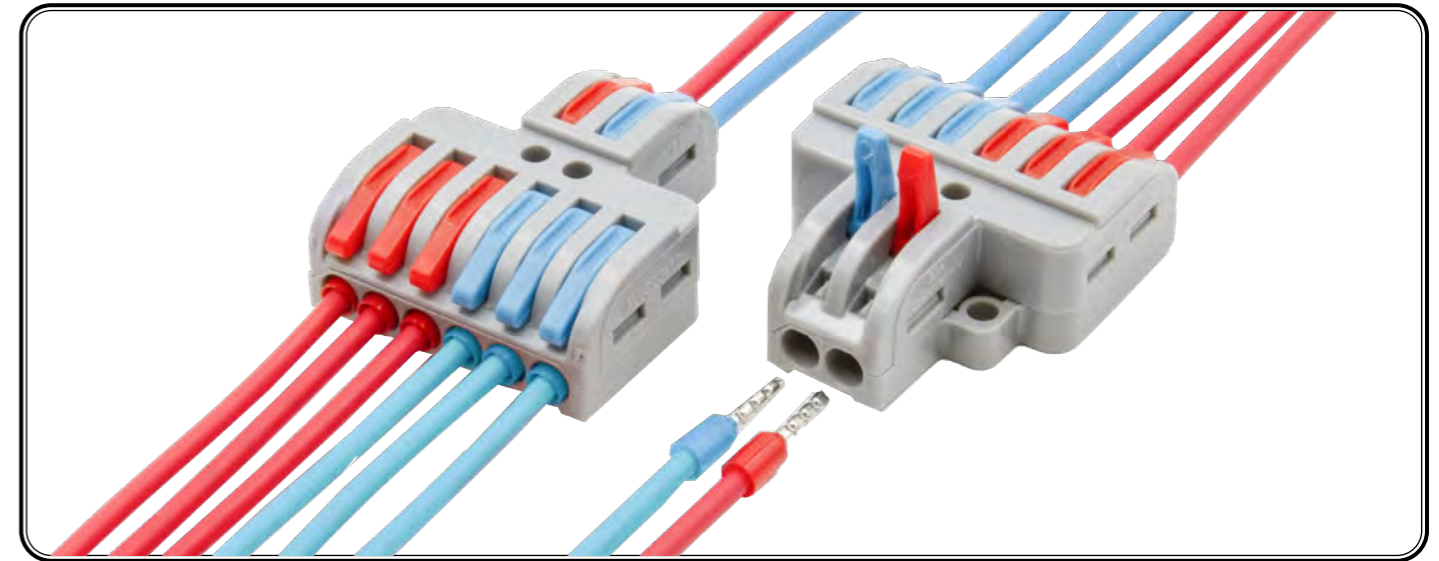
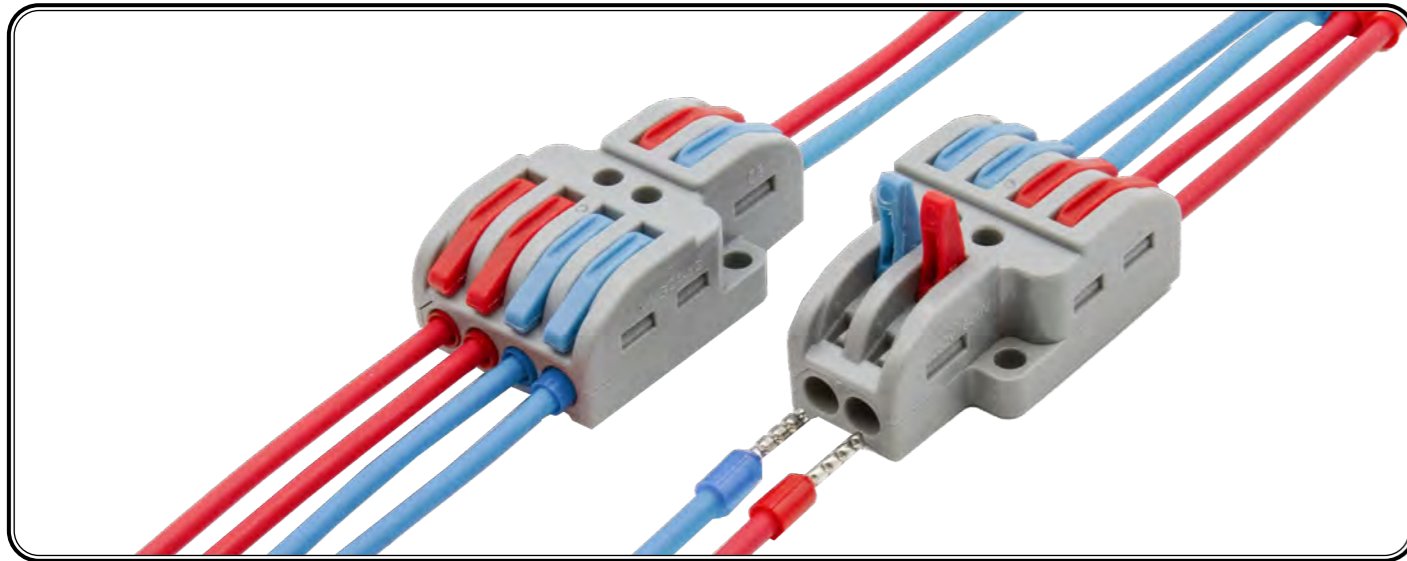
KLM SERIES



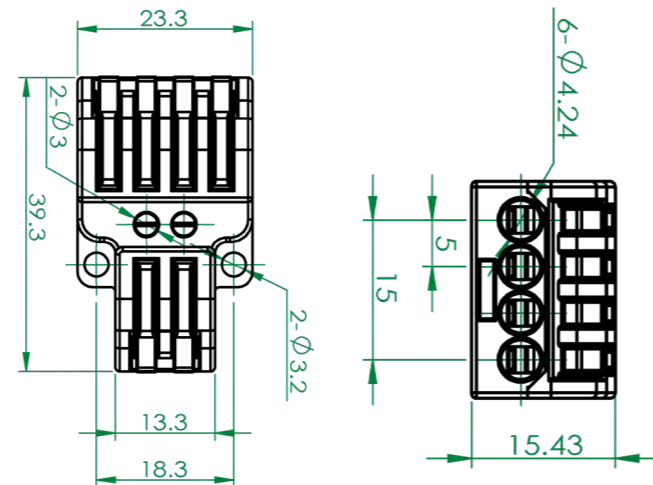
KLM SERIES

2 Input 4 Output Screwless Terminal Block 12-28 AWG
Product Code - KLM-55

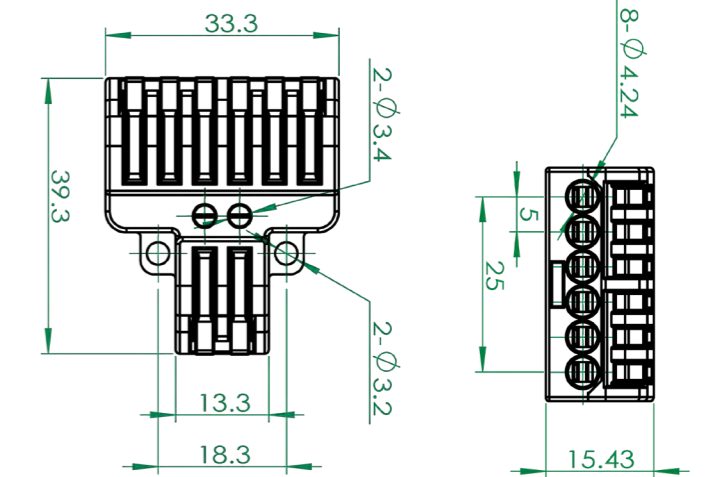
2 Input 6 Output Screwless Terminal Block 12-28 AWG
Product Code - KLM-56



Reference Value	IEC
Voltage Rating	400V.
Number of Pins	2 In x 4 Out
Insulation Structure	≥1000MΩ
Current Rating	32A max.
Contact Resistance	≤0.015 Ω
Cable Diameter (Solid)	0.5-4mm ²
Cable Diameter (Fine)	0.5-2.5mm ²
Temperature Rating	-40°C ~ +105°C
Contact/Terminal Material	Copper
Housing Material	PC UL94V 2



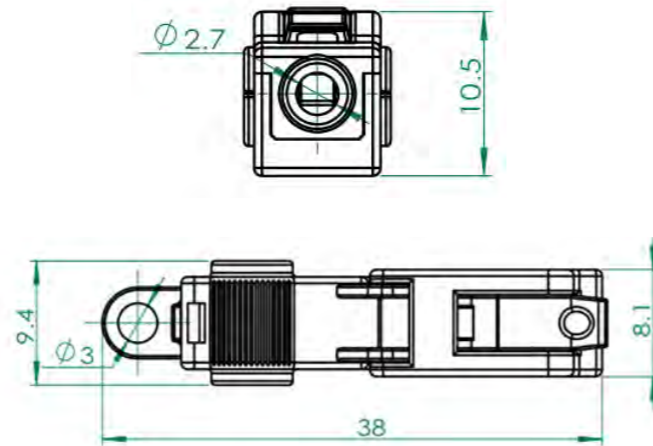
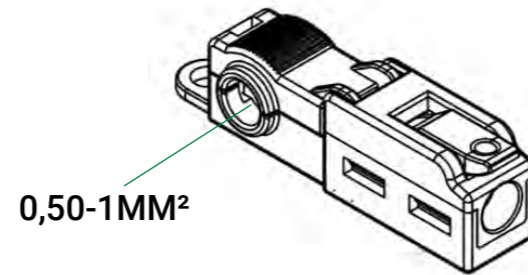
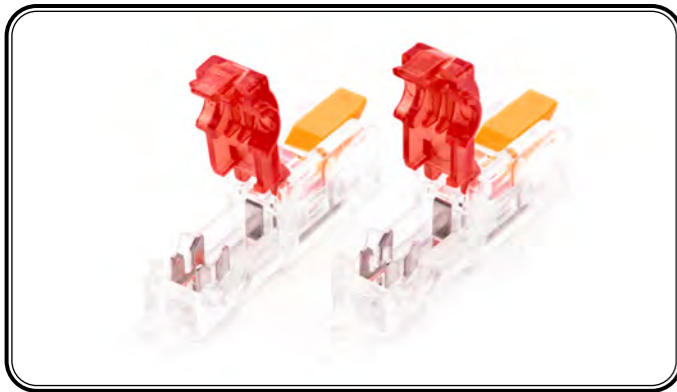
Reference Value	IEC
Voltage Rating	400v.
Number of Pins	2 In x 6 Out
Insulation Structure	≥1000MΩ
Current Rating	32A max.
Contact Resistance	≤0.015 Ω
Cable Diameter (Solid)	0.5-4mm ²
Cable Diameter (Fine)	0.5-2.5mm ²
Temperature Rating	-40°C ~ +105°C
Contact/Terminal Material	Copper
Housing Material	PC UL94V 2



KLM SERIES

1 Output Screwless "T" Terminal Block (0,50-1MM²)

Product Code - KLM-65



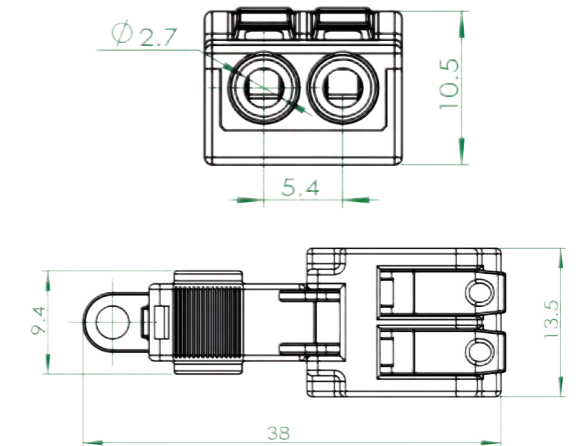
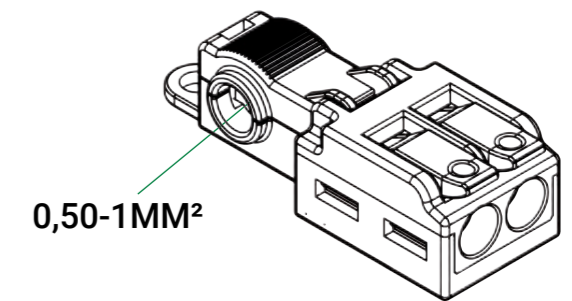
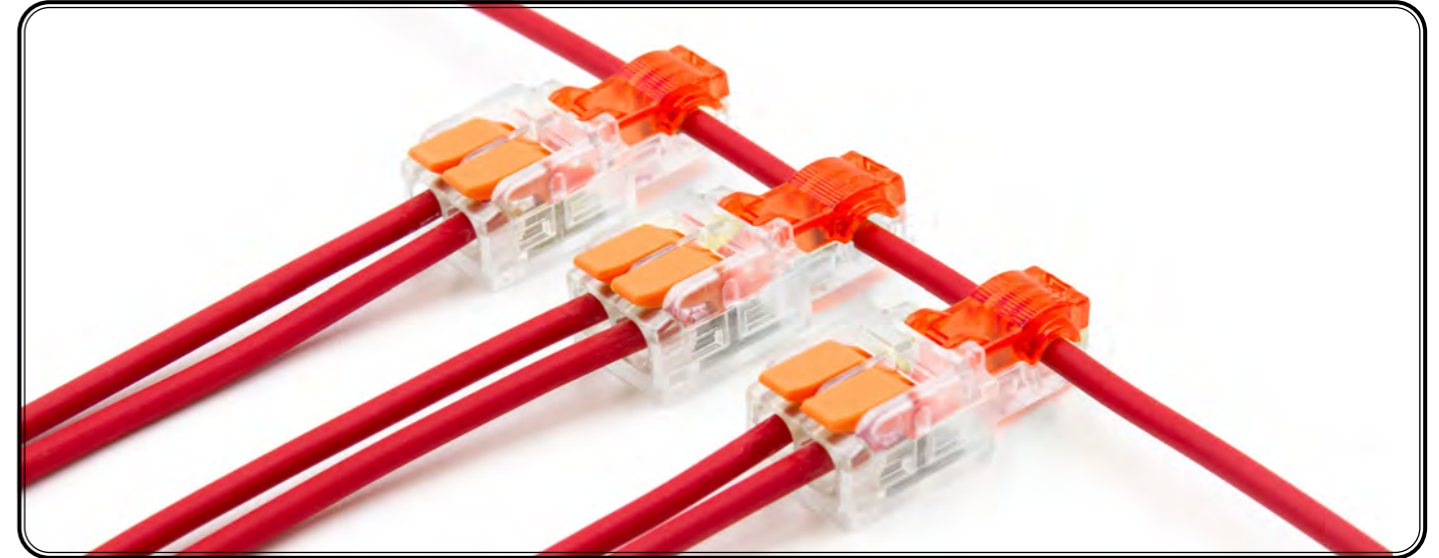
Voltage Rating	450V
Number of Pins	1
Current Rating	32A
Cable Diameter (Solid)	0.5-4mm ² 24-12 AWG
Cable Diameter (Strand)	0.5-2.5mm ² 24-12 AWG
Temperature Rating	-40°C ~ +105°C
Contact/Terminal Material	Copper
Housing Material	PA66



KLM SERIES

2 Output Screwless "T" Terminal Block (0,50-1MM²)

Product Code - KLM-66

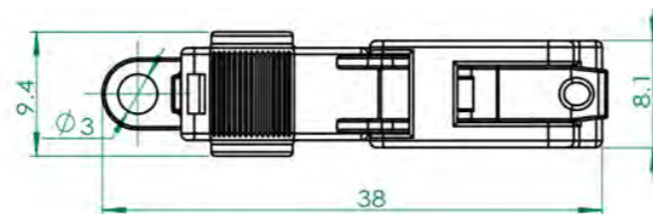
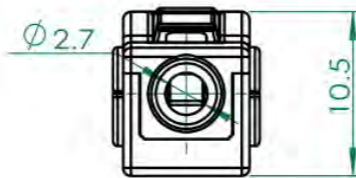
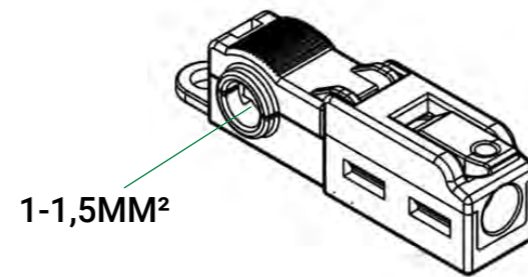


Voltage Rating	450V
Number of Pins	2
Current Rating	32A
Cable Diameter (Solid)	0.5-4mm ² 24-12 AWG
Cable Diameter (Strand)	0.5-2.5mm ² 24-12 AWG
Temperature Rating	-40°C ~ +105°C
Contact/Terminal Material	Copper
Housing Material	PA66

KLM SERIES

1 Output Screwless "T" Terminal Block (1-1,5MM²)

Product Code - KLM-67



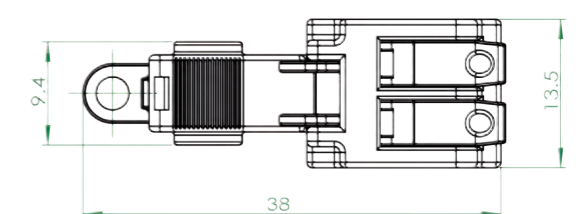
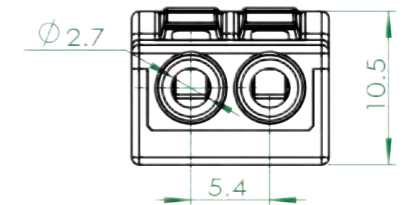
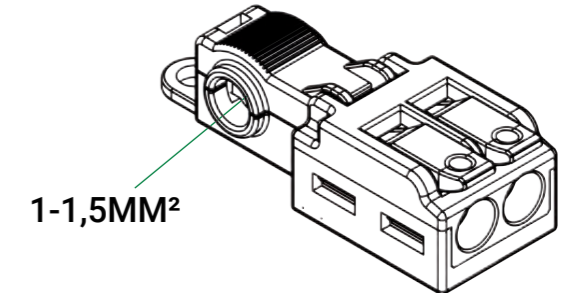
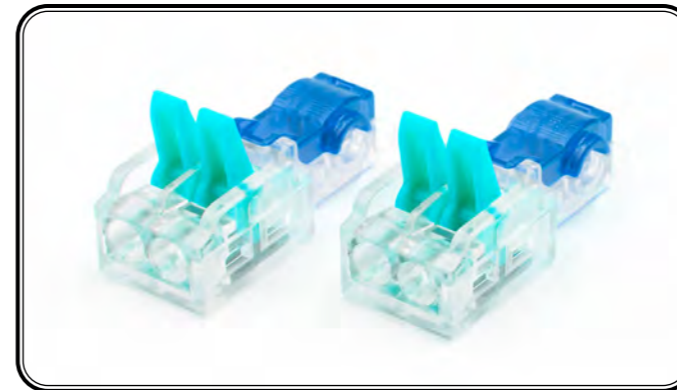
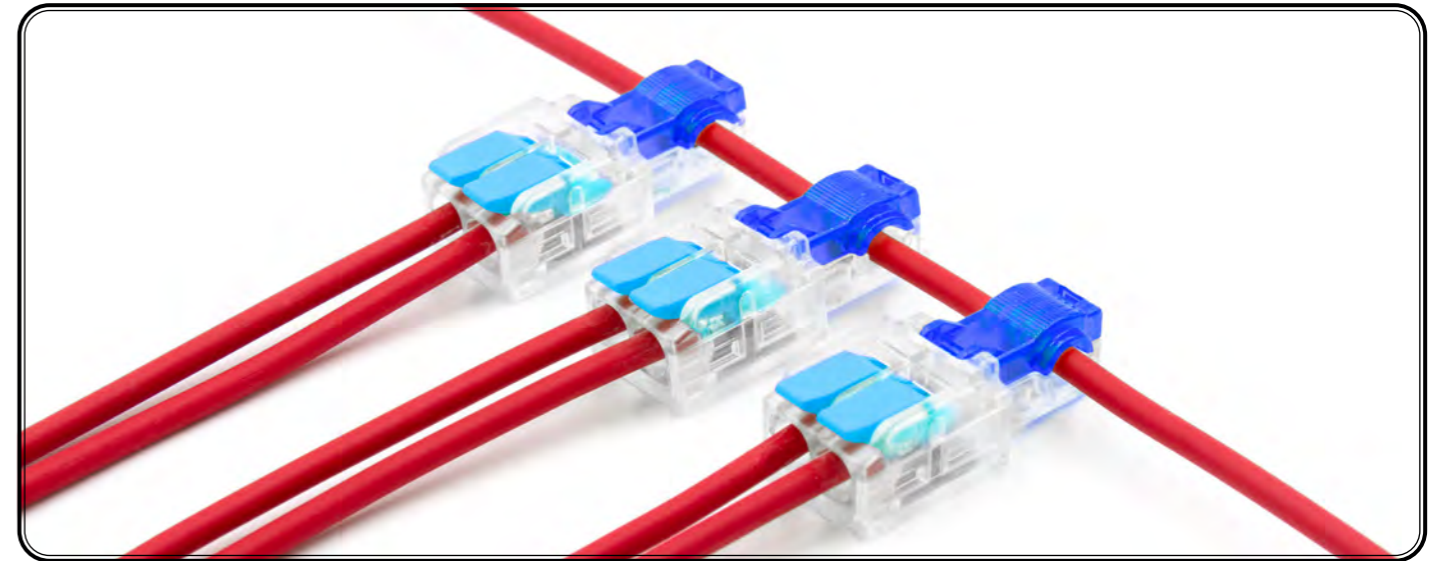
Voltage Rating	450V
Number of Pins	1
Current Rating	32A
Cable Diameter (Solid)	0.5-4mm ² 24-12 AWG
Cable Diameter (Strand)	0.5-2.5mm ² 24-12 AWG
Temperature Rating	-40°C ~ +105°C
Contact/Terminal Material	Copper
Housing Material	PA66



KLM SERIES

2 Output Screwless "T" Terminal Block (1-1,5MM²)

Product Code - KLM-68

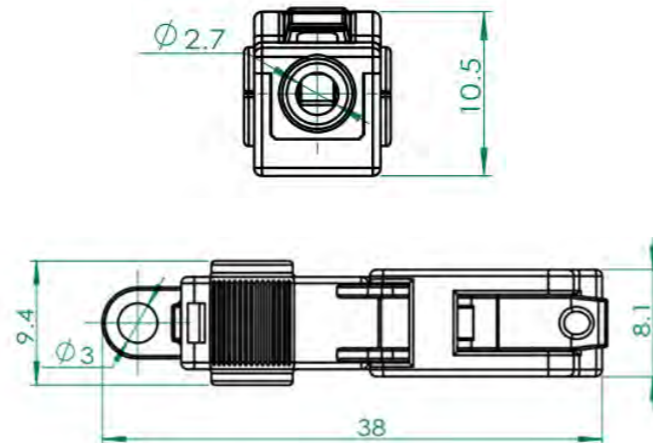
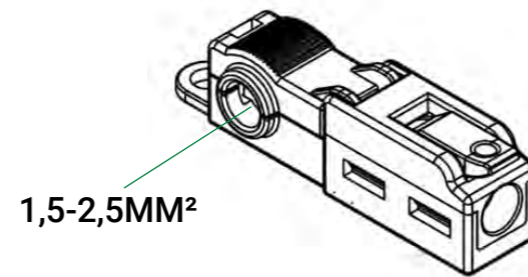


Voltage Rating	450V
Number of Pins	2
Current Rating	32A
Cable Diameter (Solid)	0.5-4mm ² 24-12 AWG
Cable Diameter (Strand)	0.5-2.5mm ² 24-12 AWG
Temperature Rating	-40°C ~ +105°C
Contact/Terminal Material	Copper
Housing Material	PA66

KLM SERIES

1 Output Screwless "T" Terminal Block (1,5-2,5MM²)

Product Code - KLM-69

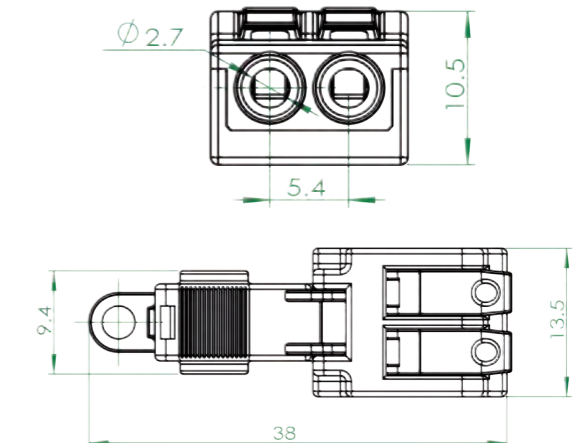
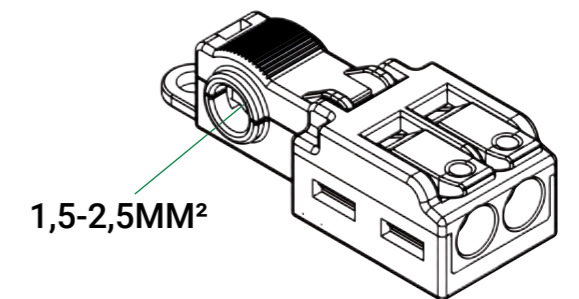
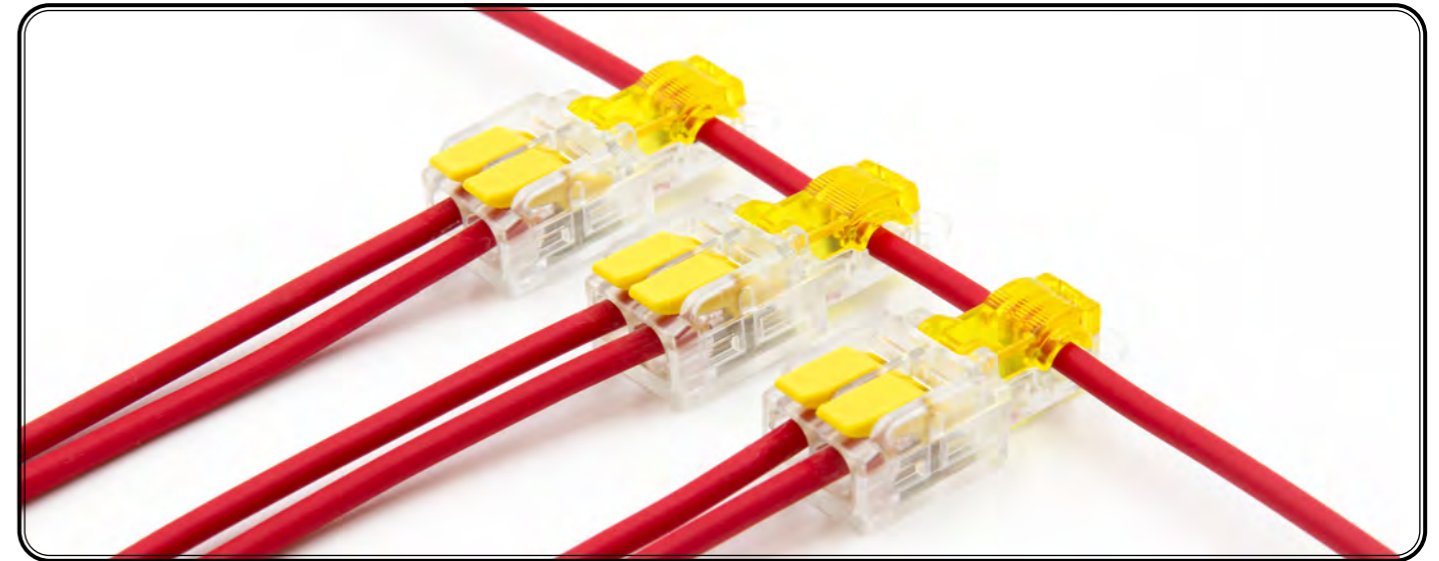


Voltage Rating	450V
Number of Pins	1
Current Rating	32A
Cable Diameter (Solid)	0.5-4mm ² 24-12 AWG
Cable Diameter (Strand)	0.5-2.5mm ² 24-12 AWG
Temperature Rating	-40°C ~ +105°C
Contact/Terminal Material	Copper
Housing Material	PA66

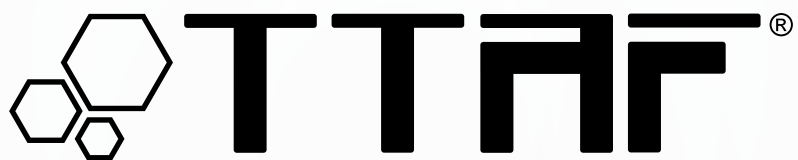
KLM SERIES

2 Output Screwless "T" Terminal Block (1,5-2,5MM²)

Product Code - KLM-70



Voltage Rating	450V
Number of Pins	2
Current Rating	32A
Cable Diameter (Solid)	0.5-4mm ² 24-12 AWG
Cable Diameter (Strand)	0.5-2.5mm ² 24-12 AWG
Temperature Rating	-40°C ~ +105°C
Contact/Terminal Material	Copper
Housing Material	PA66



CONNECTOR SOLUTIONS

2024-v2