

**TTRF**<sup>®</sup> | FLASHLIGHT SOLUTIONS | 2023 v1



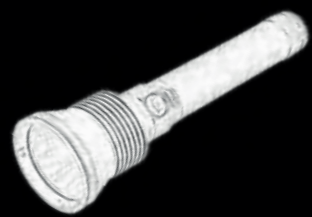
TODAY TOMORROW AND FOREVER



01 / ELF-03



06 / ELF-05-1



02 / ELF-04



07 / ELF-05-2



03 / ELF-09



08 / ELF-05-2



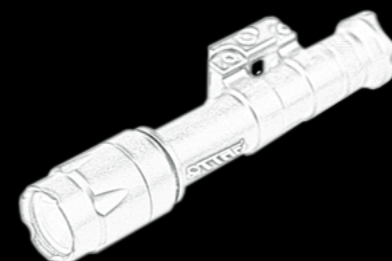
04 / ELF-14



09 / ELF-07



05 / ELF-10



10 / ELF-08



350lm

1000lm

2300lm

3200lm

ELF-03



ELF-04



ELF-09



ELF-14



ELF-10





85lm

150lm

320lm

350lm

1000lm

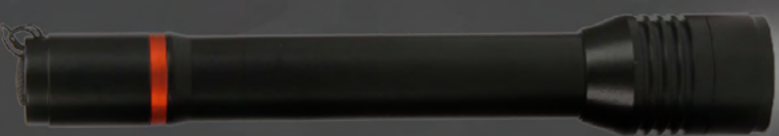
ELF-05-1



ELF-05-2



ELF-05-3



ELF-07



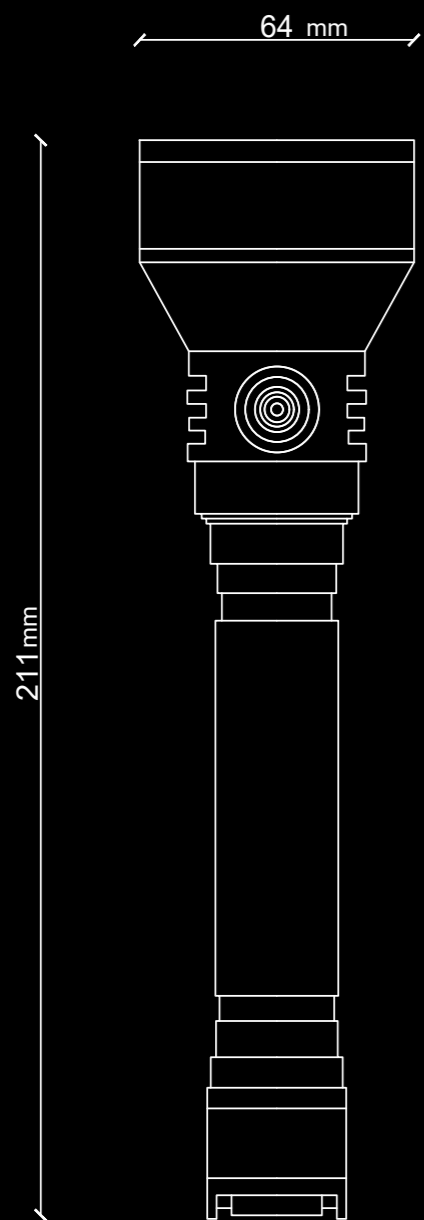
ELF-08





# ELF-03

The ELF-03 flashlight, which you will need in difficult conditions, is a reliable choice with its features such as a battery that can last up to 68 hours when switched to low mode, IPX8 certificate and 2300 lumen luminous flux. This lantern is suitable for all kinds of nature activities and many different situations such as emergencies. Thanks to 4 different light modes, it can be easily adjusted according to the lighting needs.



Body Material	6061-T6 Aluminum
Lens Angle	54°
Power Consump-	4,5W
Source of Light	Cree XHP35 HI LED
Operating Voltage	7,2V DC
Color Temperature	
CRI	>70
IP Class	IPX8
Luminous Flux (lm)	2300lm

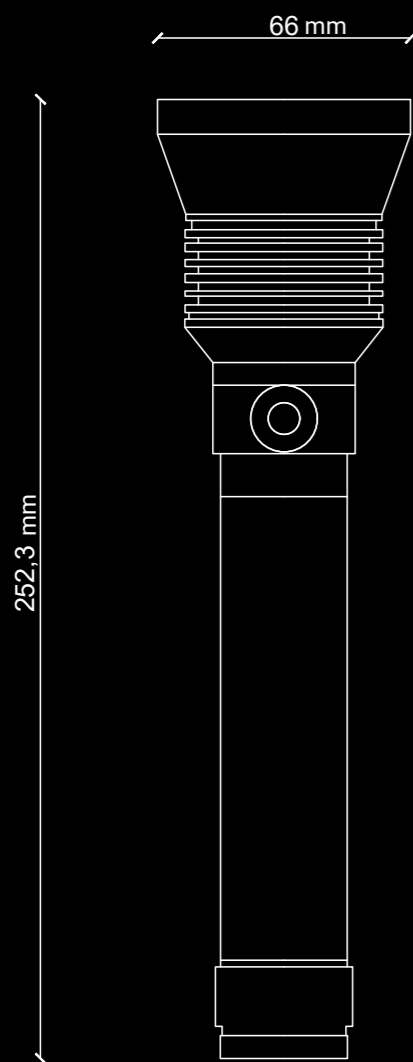


ELF-04

# ELF-04

ELF-04 diving flashlight, which is an ideal option for underwater diving, is water resistant up to 70 meters and offers high lighting performance with a luminous flux of 3200 lumens. ELF-04 provides uninterrupted operation thanks to its charging time of 6-8 hours. There are 4 different light modes.





Body Material	6061-T6 Aluminum
Lens Angle	45°
Power Consumption	20W
Source of Light	Cree XHP70 LED
Operating Voltage	7,2 VDC
Color Temperature	
CRI	>70
IP Class	3200 lm @High Mode
Luminous Flux (lm)	





ELF-09

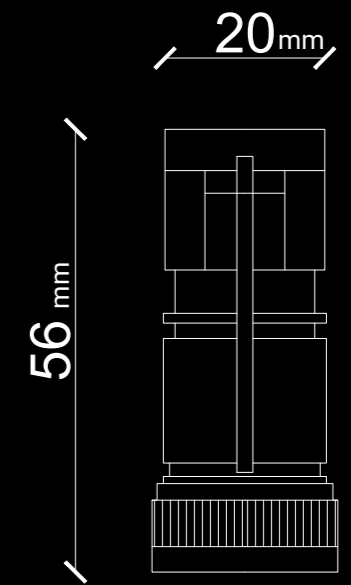
# ELF-09

ELF-09 is a portable flashlight with its small size while offering high lighting performance. It can be easily charged thanks to its magnetic charging feature and can be attached to any metal surface with its magnet on the back. It can be used in low, medium, high and strobe modes with 4 different light modes. It is powered by 1 123A battery and is easily replaced. It is an ideal option for outdoor activities.





# ELF-09



Body Material	Aluminum Alloy
Lens Angle	80°
Power Consumption	4W
Source of Light	Cree XP-L HI LED
Operating Voltage	3,6 V DC
Color Temperature	
CRI	>70
IP Class	IPX8
Luminous Flux (lm)	1000lm

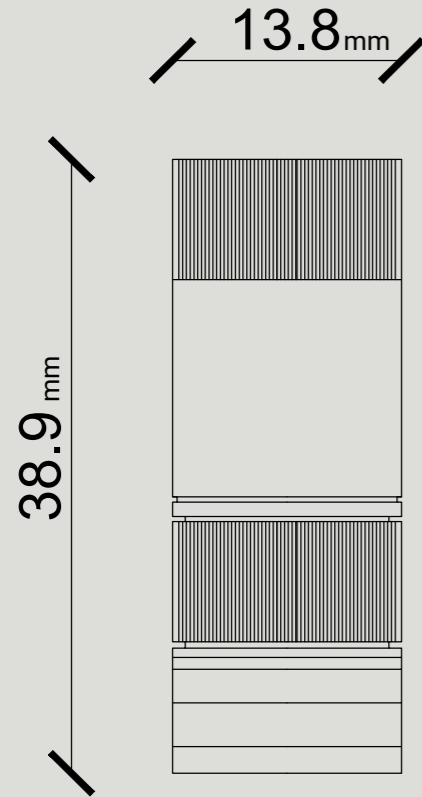


ELF-14

# ELF-14

ELF-14 provides soft and balanced light with lens quality. It is easy to use thanks to its light and small design. The 10180 lithium-ion battery provides up to 68 hours of continuous use and can be charged with a micro-USB cable. ELF-14 is safe with reverse current protection. Its aluminum alloy casing is durable and long-lasting.





Body Material	Plastic-Aluminum
Lens Angle	75°
Power Consumption	20W
Source of Light	COB LED
Operating Voltage	4,5-7,2 VDC
Color Temperature	
CRI	>70
IP Class	IP65
Luminous Flux (lm)	1000 lm

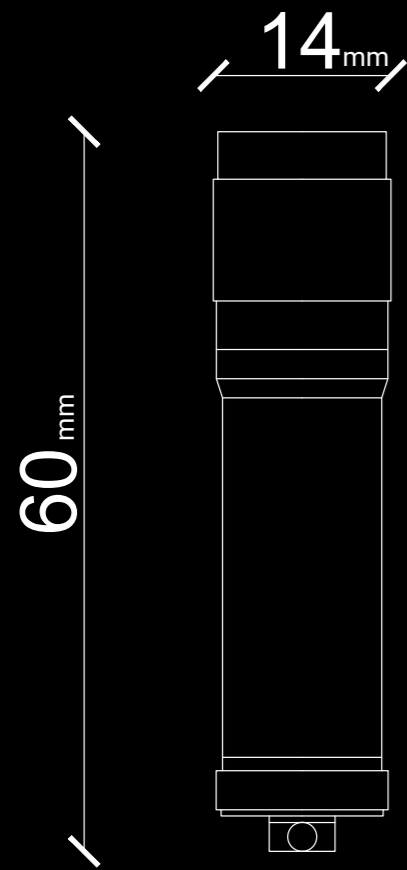


ELF-10

# ELF-10

ELF-10 flashlight is a remarkable product with its light and compact design. The lantern, which weighs only 9 grams, provides ease of transport. ELF-10 has high lighting performance for its size. It provides ease of use thanks to its twist-open head. It works with only 1 AAA battery and is a very economical product. ELF-10 flashlight is an ideal option for outdoor activities and emergencies.





Body Material	Aluminum Alloy
Lens Angle	16°
Power Consumption	2W
Source of Light	CA-18-3X LED
Operating Voltage	3,6 V DC
Color Temperature	
CRI	>70
IP Class	IPX8
Luminous Flux (lm)	350lm

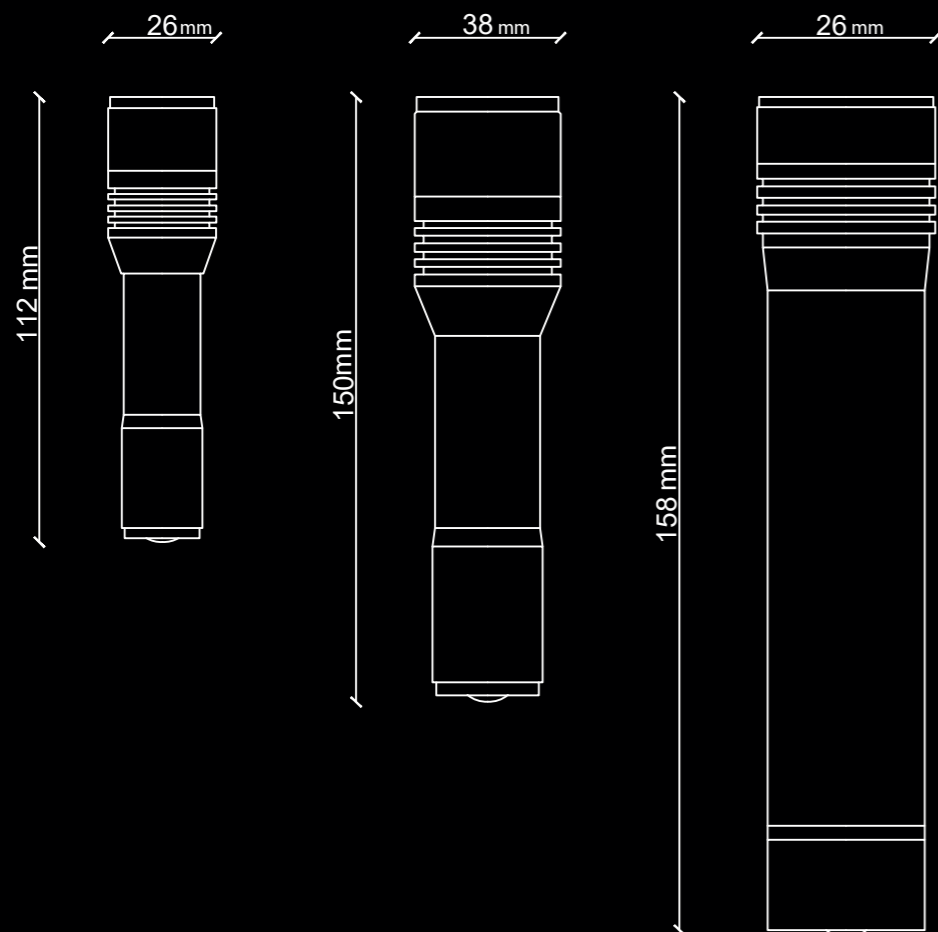


ELF-05-1,2,3

# ELF-05-1,2,3

ELF-05 series is an easy-to-carry and high-range flashlight series. Ideal for nature activities, hunting and emergencies. It is possible to illuminate wide and narrow areas thanks to its 3 modes (high, low, flash) and adjustable lens angle.





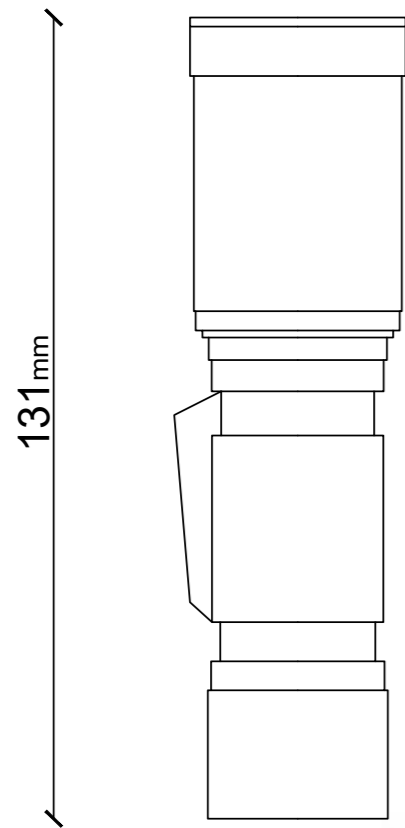
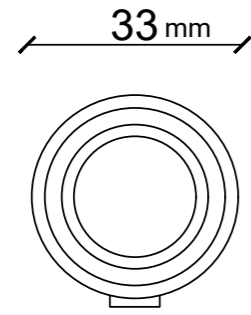
	ELF-05-1	ELF-05-2	ELF-05-3
Body Material	Aluminum Alloy	Aluminum Alloy	Aluminum Alloy
Lens Angle	8°~65°(Adjustable)	8°~65°(Adjustable)	8°~65°(Adjustable)
Power Consumption	1,5W	10W	3W
Source of Light	XPE LED	T6 LED	XPE LED
Operating Voltage	1,5V DC	4,5 V DC	3 VDC
Color Temperature			
CRI	>70		>70
IP Class		IP44	IP54
Luminous Flux (lm)	85lm	320lm	150 lm





# ELF-07

The ELF-07 flashlight offers high performance with a luminous flux of 1000 lumens. It is designed to be used both at home and outdoors. Thanks to the zoom feature, distant objects can be clearly illuminated. Rechargeable battery with USB cable provides ease of use. It is powered by 1 Li-ion 18650 battery and can be easily replaced when the battery life runs out. In addition, 3 different light modes offer a variety of lighting. The ELF-07 flashlight is a safe and bright lighting solution as it is designed to be used both indoors and outdoors.



Body Material	Alluminum Alloy
Lens Angle	10° ~ 65° (Ayarlanabilir)
Power Consumption	10W
Source of Light	Cree Led
Operating Voltage	3,6V DC
Color Temperature	
CRI	>70
IP Class	IP65
Luminous Flux (lm)	1000lm



# ELF-08

ELF-08 gun mounted torch is a handheld as well as a gun mounted torch. Due to its replaceable parts, it offers users various usage options. The external on/off mechanism makes it even easier to use. Its high quality materials ensure that it is not affected by impacts, abrasions and temperature differences. ELF-08 is ideal for both hunting and security related industries.

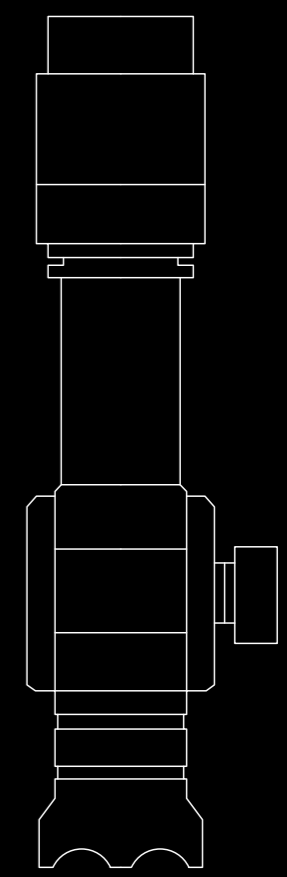


# ELF-08



44 mm

138 mm



Body Material	Aluminum Alloy
Lens Angle	60°
Power Consumption	3,6 W
Source of Light	Cree Q5 LED
Operating Voltage	6 V DC
Color Temperature	
CRI	>70
IP Class	IP65
Luminous Flux (lm)	350lm

TODAY, TOMORROW  
AND  
FOREVER...

