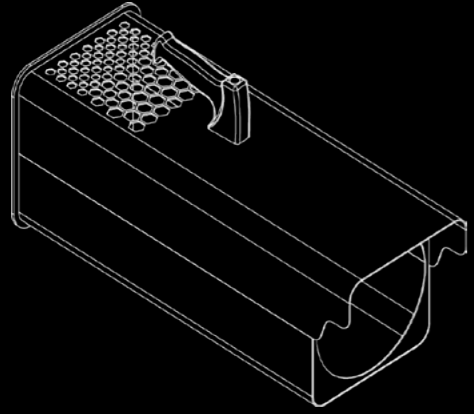


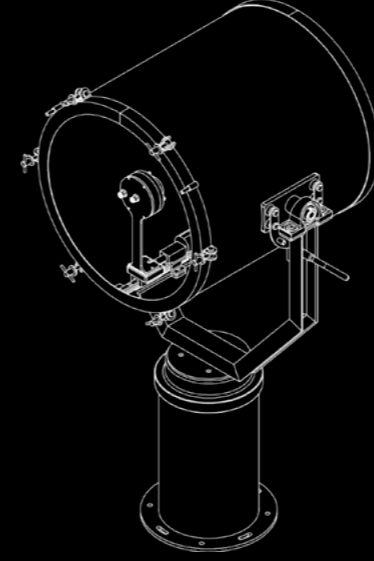
 **TTAF**[®] | MILITARY SOLUTIONS | 2023 v1



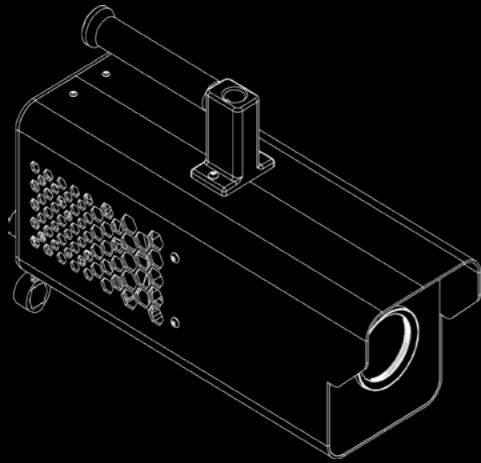
TODAY TOMORROW AND FOREVER



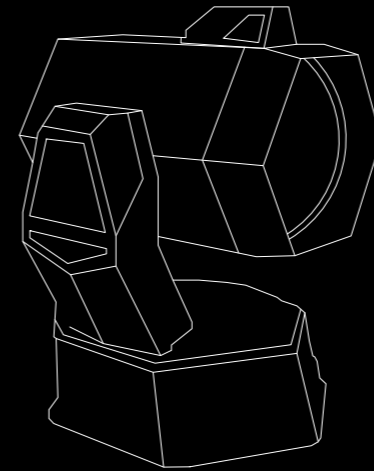
01 / GÖKBÖRÜ®



03 / ÖTÜKEN®



02 / VALHALA®



04 / GOLYAT®

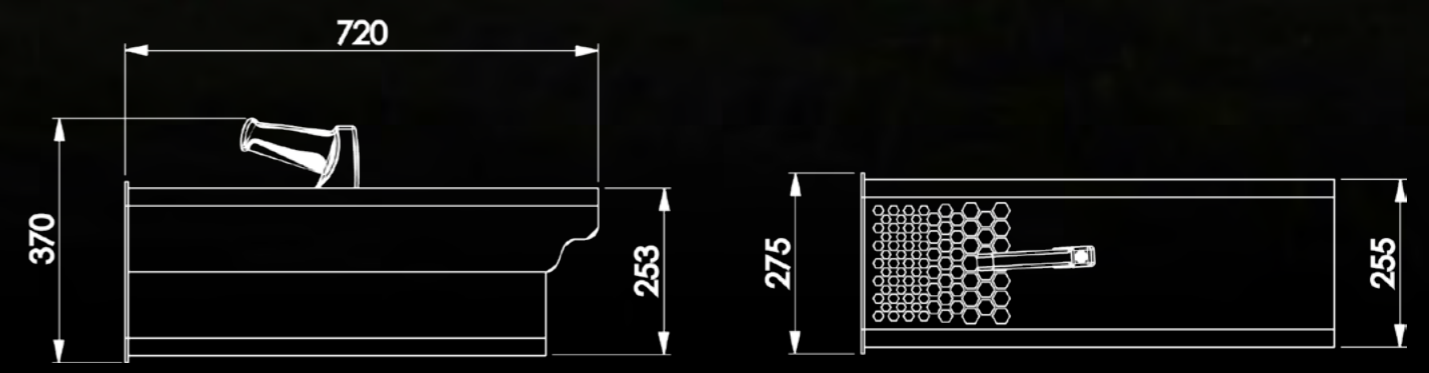


GÖKBÖRÜ®

Gökbörü is a lighting specially designed to illuminate long distances. It provides illumination up to 1 kilometer by consuming only 300W of power. Its most effective distance is 1200 meters and it illuminates a very large area. While Gökbörü is frequently preferred by border security and other security units, it can also be used in areas such as search and rescue and prison. In addition, since the tripod height is maximum 4 meters, the lighting height can be adjusted at the desired level. It is a reliable solution with IP65 class protection.



Body Material	Aluminum
Lens Angle	4°
Power Consumption	234W ~ 400W
Source of Light	COB LED
Operating Voltage	127 ~ 250VAC
Color Temperature	8500K
CRI	>70
IP Class	IP65
Luminous Flux (lm)	15850 lm @ 335W

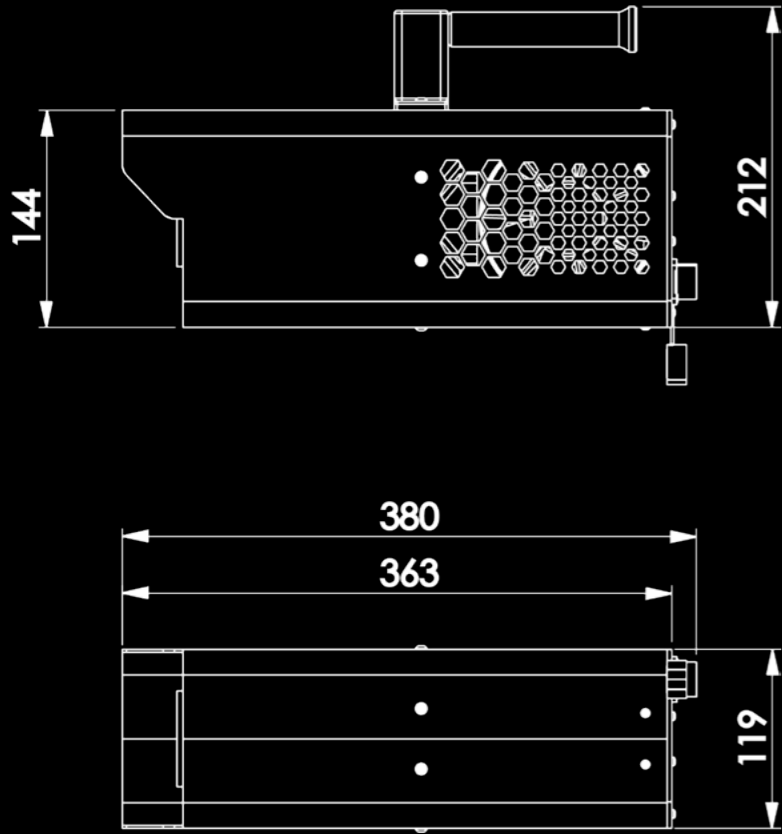




VALHALA®

Valhalla is designed to illuminate long-distance areas such as border surveillance, coast guard, search and rescue, prisons, hunting. Thanks to its special lens, it carries the light forward like a laser. The Li-ion battery can be carried in a backpack, balancing the weight of the product and providing a more comfortable use. It can be used for 8-10 hours with a full charge. With its carrying case, IP67 connector and aluminum body, it is a practical and effective lighting solution for its users for many years.





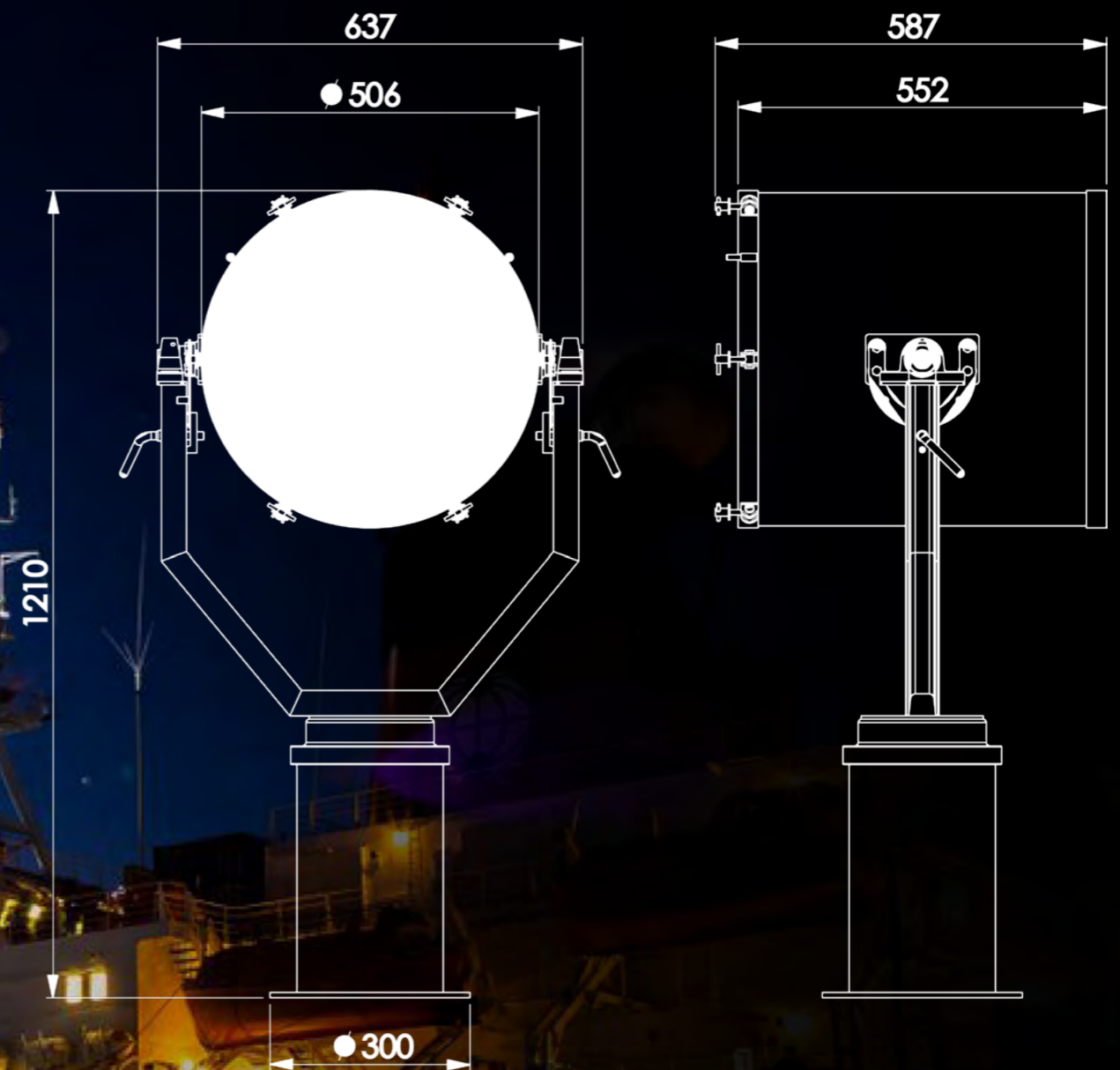
Body Material	Aluminum
Power Consumption	50W
Source of Light	COB LED
Operating Voltage	38,4 VDC
Color Temperature	6500K
CRI	>70





ÖTÜKEN®

Ötüken has been developed to be used in exploration activities in the maritime and defense sectors with its 360° movement mechanism. Light efficiency and speed are important factors in maritime safety studies. Ötüken is a lighting designed to respond to these factors. It can be used for long range search activities thanks to the high power LEDs inside. It is protected against bad weather and climatic conditions in IP65 standards. Manual control system and liquid cooling system provide high efficiency.

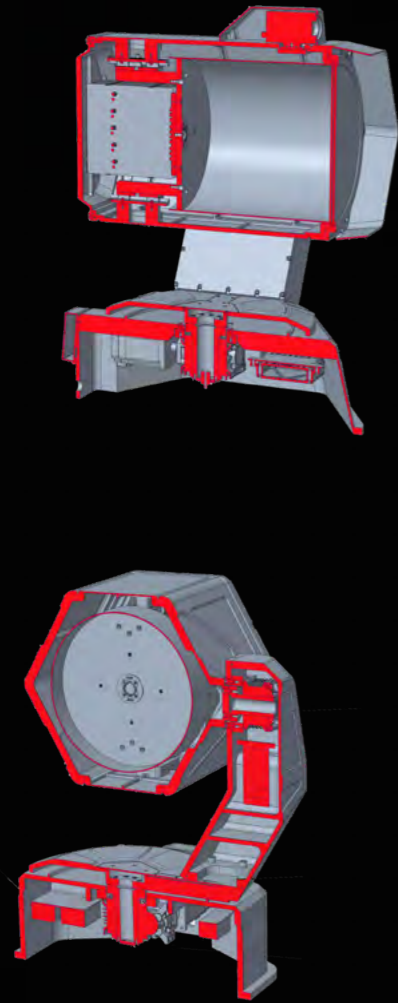


Body Material	Galvanized Steel
Power Consumption	560W
Source of Light	Power LED
Operating Voltage	127 ~ 250VAC
Color Temperature	2200K~6500K
CRI	>70
IP Class	IP68



GOLYAT®

Golyat, border surveillance, coast guard, search and rescue, It is designed to illuminate long distance areas such as prisons, hunting. Golyat provides illumination up to 27 Lux at 31 m beam width, 1.6 Lux at 125 m beam width and 0.4 Lux at 250 m beam width. Infinite pan is controlled with a tilt angle of 50°. The control panel is controlled by 360° pan, aluminum body, joystick or the panel on Golyat.



Body Material	Aluminum
Lens Angle	∞
Power Consumption	300W
Operating Voltage	127~250VAC 50/60Hz
Color Temperature	5000K
IP Class	IP65

TODAY, TOMORROW
AND
FOREVER...

