

**TAF** | MODULAR BULB CHAIN | 2023 v1

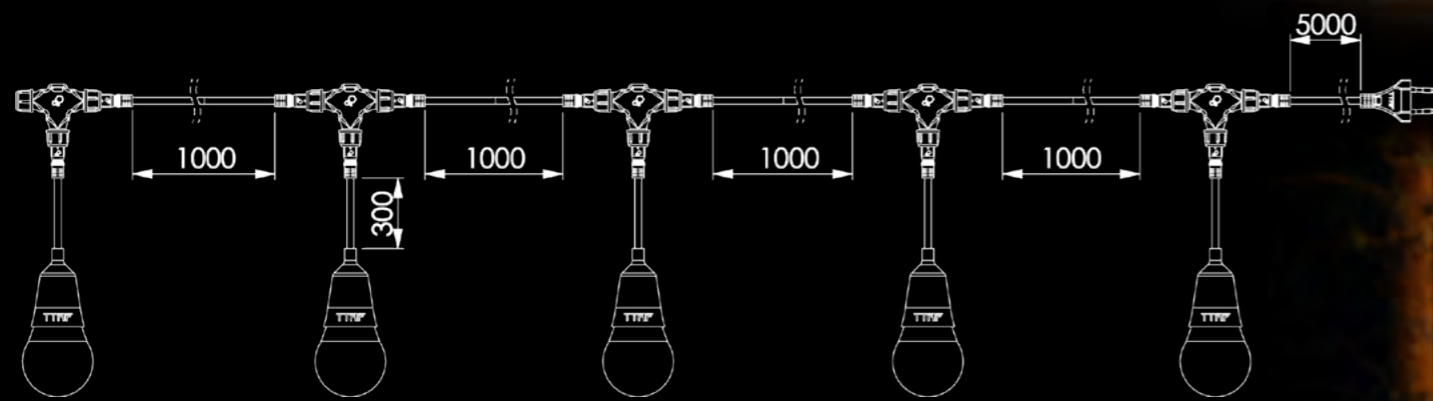


TODAY, TOMORROW AND FOREVER...



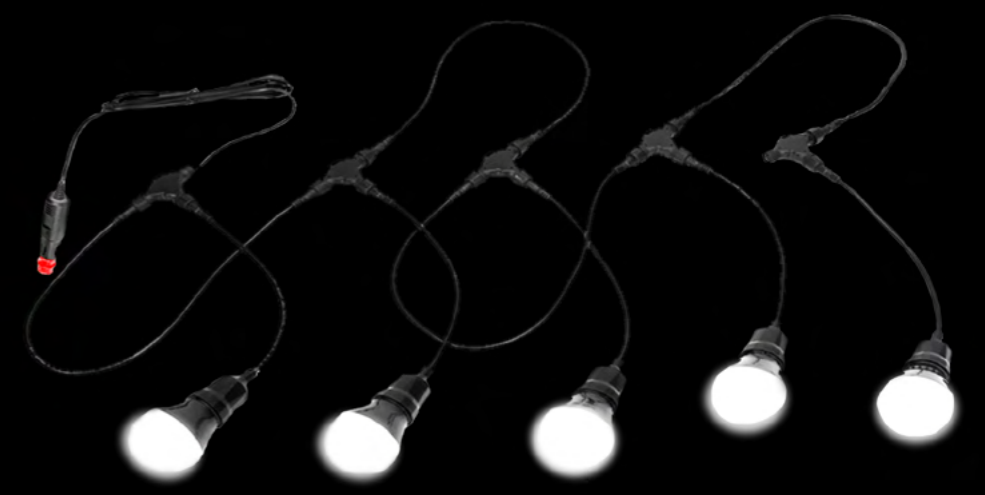
## MODULAR BULB CHAIN

The Modular Bulb Chain is water resistant thanks to its IP67 protection certification and is an ideal option for both indoor and outdoor environments. There are 5 LED bulbs in 1 set, thus providing easy and fast installation. In addition, up to 10 sets can be operated from a single line and extension of lamps is also possible. The product has 12VDC - 24VDC or 220VAC options.



Body Material	3,6W
Operating Voltage	220V, 12V, 24V
Color Temperature	2700K ~6000K
CRI	RA>80
IP Class	IP67
Luminous Flux (lm)	325lm, 365lm~580lm





Car Lighter Socket



Waterproof Connector



TODAY, TOMORROW  
AND  
FOREVER...

