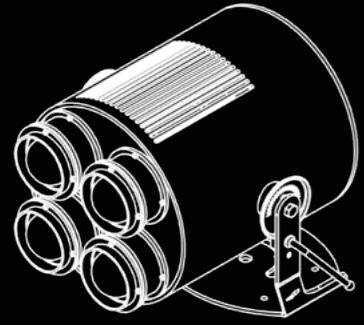


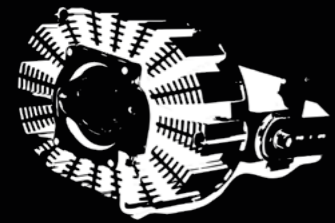
TTAF[®] | PROJECTOR
SOLUTIONS | 2023 v1



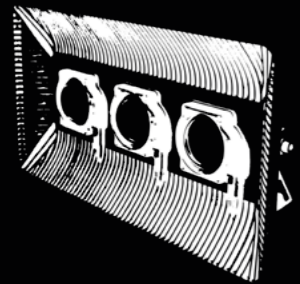
TODAY TOMORROW AND FOREVER



01 / MOSUTUNYA®



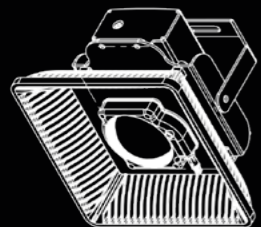
02 / ESL-10



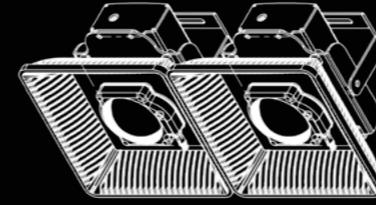
03 / ESL-20



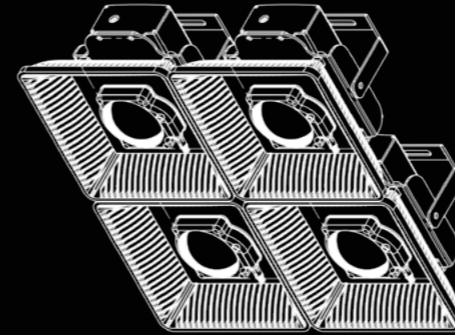
04 / ESL-25



05 / ESL-30



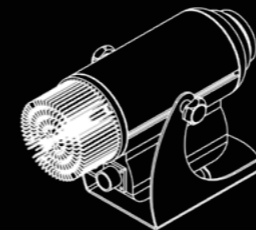
06 / ESL-30



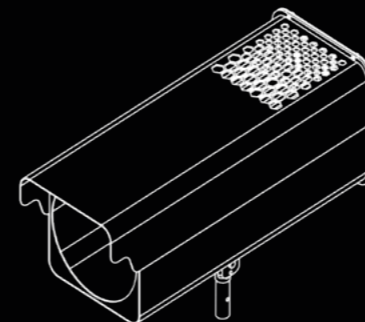
07 / ESL-30



08 / MINI GOBO



09 / GOBO

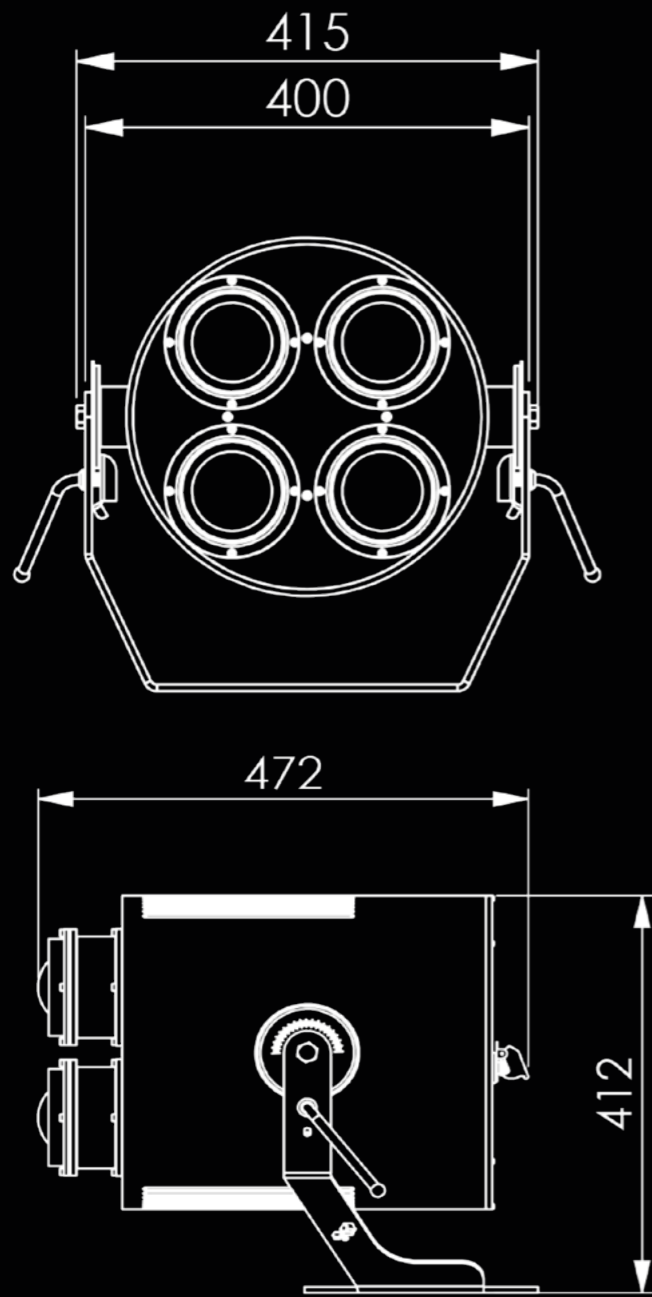


10 / BIG GOBO

MOSOTUNYA®

Mosotunya® Pro is a powerful projector developed by TTAf engineers for outdoor lighting needs in large areas. Due to its robust structure, it can withstand even the toughest environmental and weather conditions. One of its most important features is using four separate light sources in one unit. Even if one light source fails, the others provide enough light to keep the area bright. Mosotunya® Pro has a versatile design and uses energy-efficient LED technology with Armegaddon® lenses, making it ideal and cost-effective for various applications.





Body Material	Aluminum
Lens Angle	20°
Power Consumption	425W
Source of Light	4xArmageddon
Operating Voltage	100 ~250 VAC
Color Temperature	5000K
CRI	>70
IP Class	IP66
Luminous Flux (lm)	55250lm



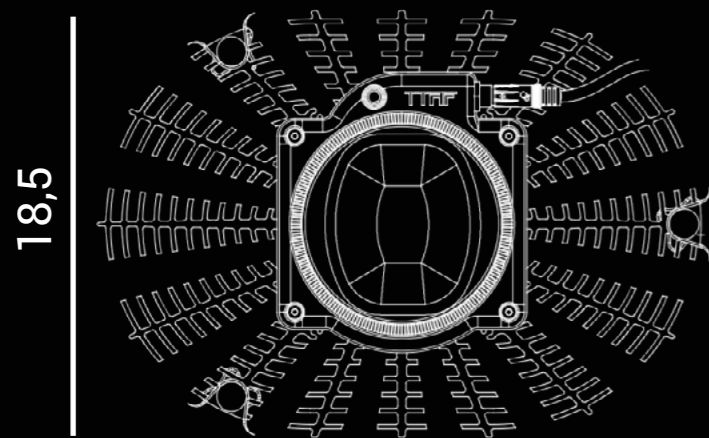


ESL-10

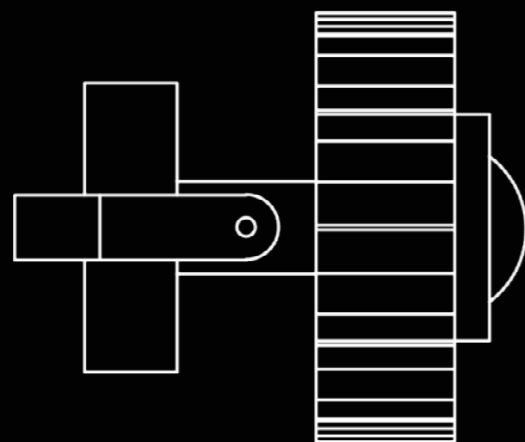
ESL-10 is an ideal, durable, efficient lighting product for depots, car parks, and open spaces. Its aluminum body is designed for optimum cooling and wind resistance, making it resistant to harsh weather conditions and easily adaptable to any environment. Thanks to the easily replaceable Armageddon® lens, it provides powerful and efficient solutions.



27

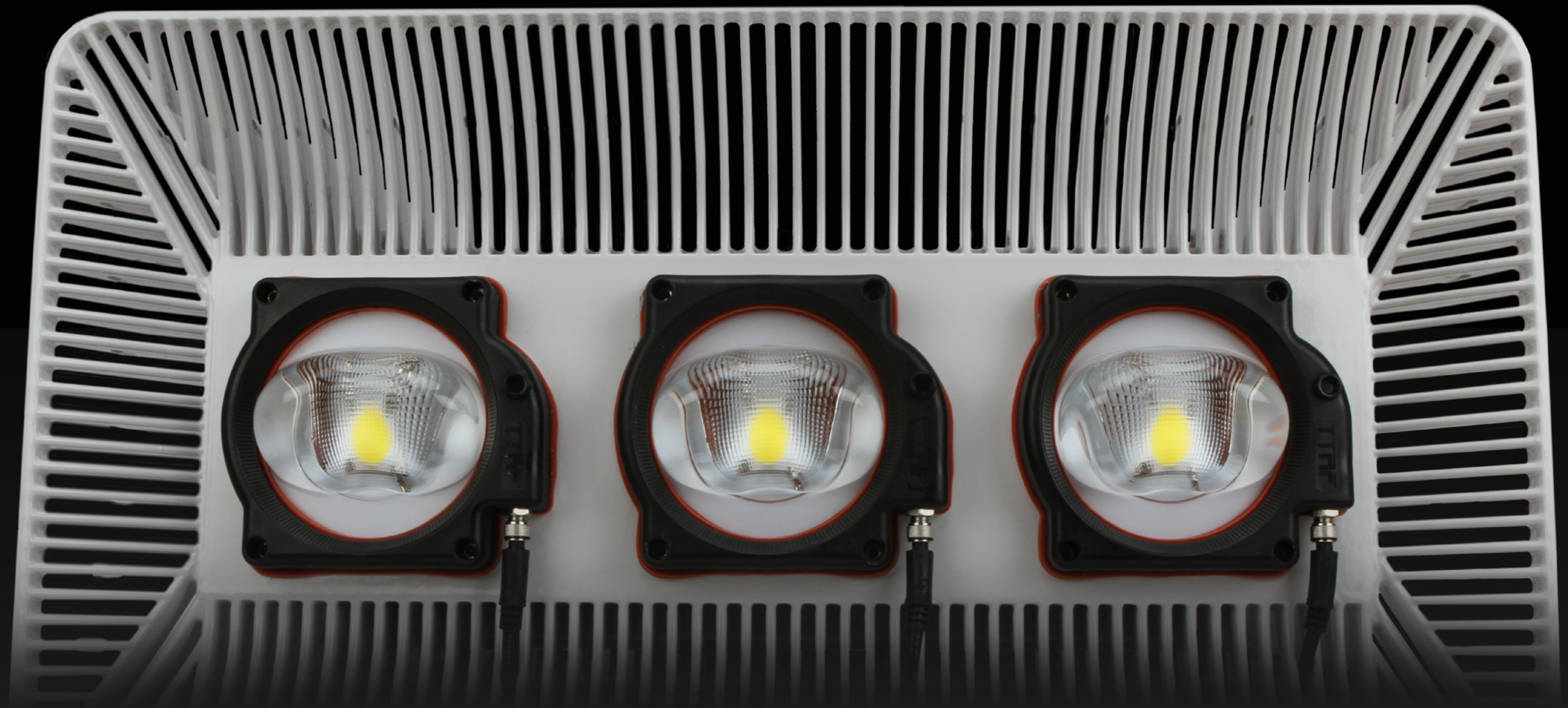


18,5



Body Material	Injection Aluminum
Lens Angle	20°, 45°, 60°, 90°, 120°, 160°
Power Consumption	50W~140W
Source of Light	1xArmageddon
Operating Voltage	120 ~240 VAC 50/60Hz
Color Temperature	2200K~6500K
CRI	>70
IP Class	IP66
Product Weight	5,2 kg
Product sizes	186x315x270 mm
Luminous Flux (lm)	7700lm~17000lm

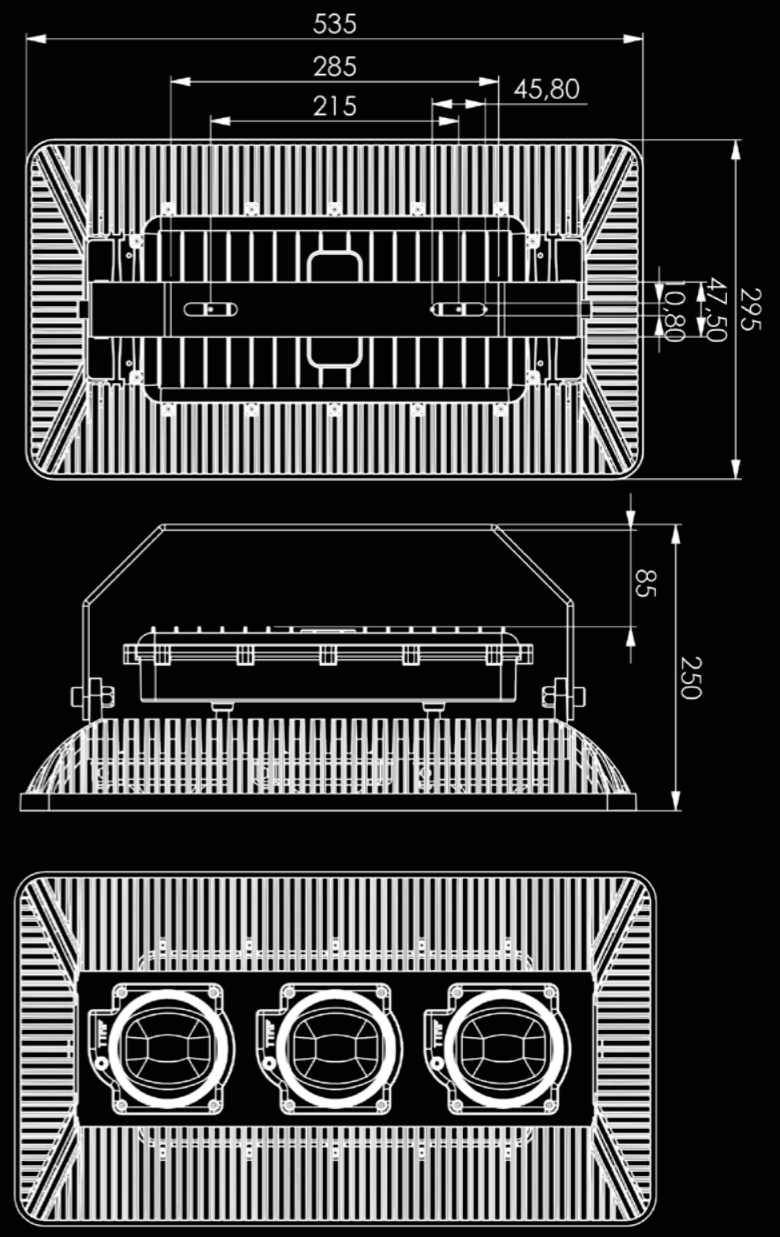




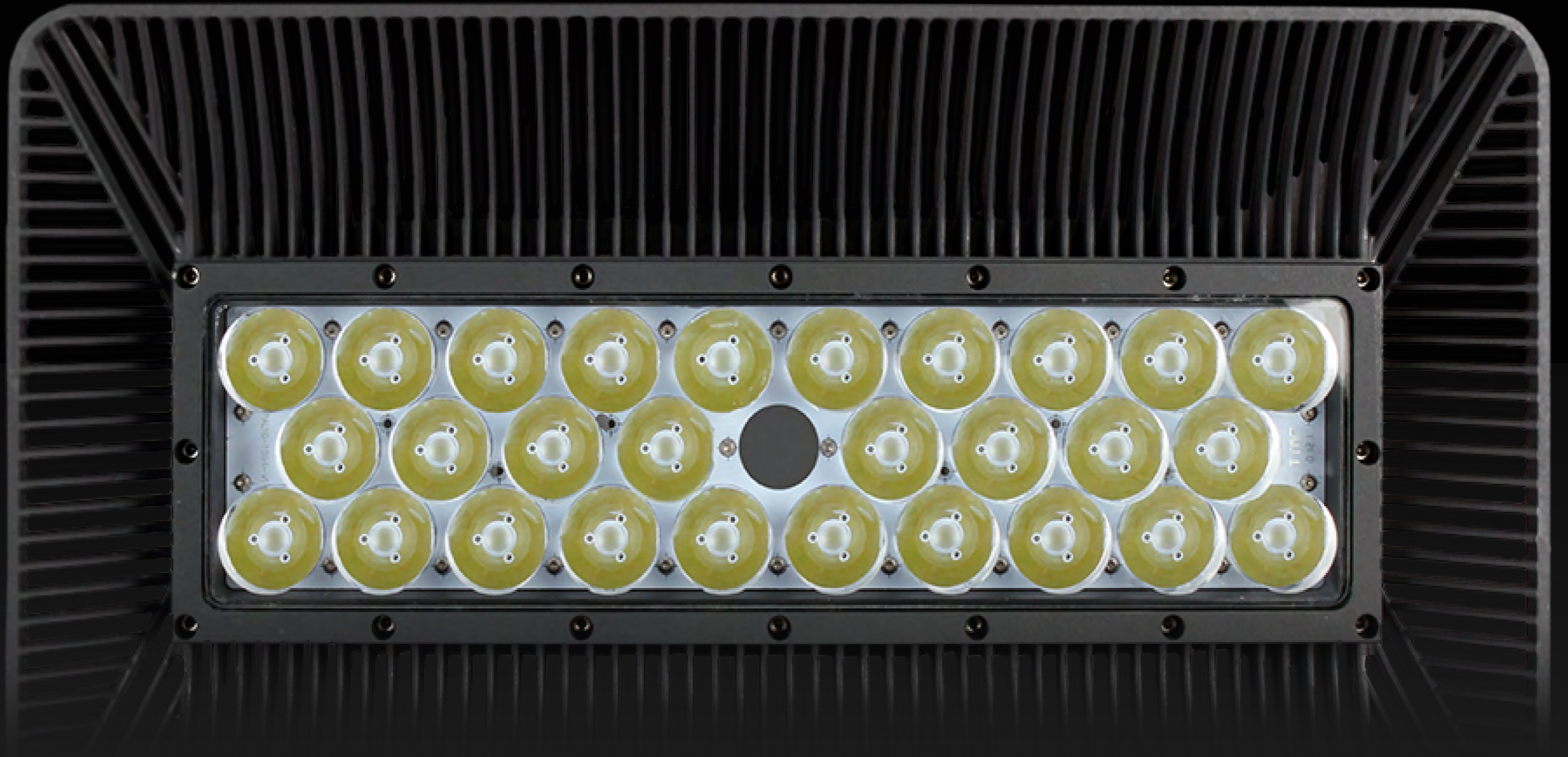
ESL-20

ESL-20 is a high-powered projector designed for illuminating large areas such as warehouses, construction sites, sports halls, and social areas. Its aluminum body is designed for optimal cooling and wind resistance, making it durable against harsh weather conditions and easily adaptable to any environment. With its easily replaceable Armageddon® lens, it provides powerful and efficient solutions.

The ESL-20 can be used with automation systems for remote lighting control, providing energy savings compared to projectors in the 250W - 1000W range.

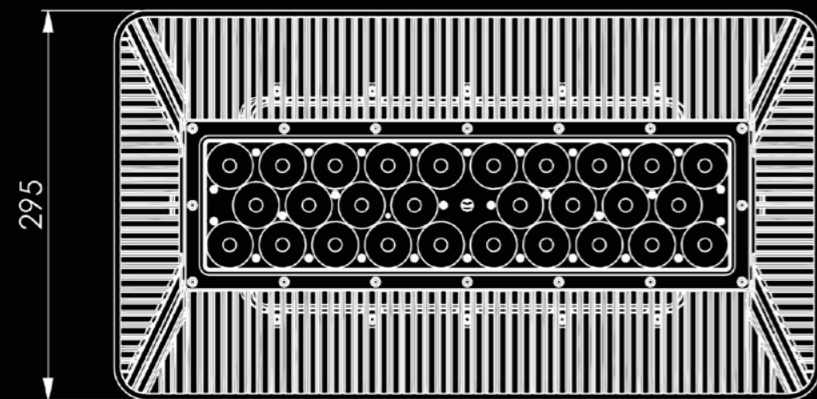
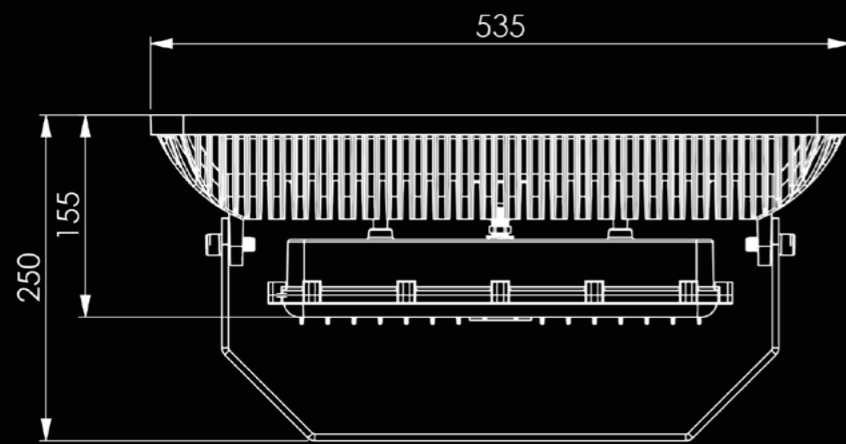


Body Material	Injection Aluminum
Lens Angle	20°, 45°, 60°, 90°, 120°, 160°
Power Consumption	200W, 320W
Source of Light	1xArmageddon
Operating Voltage	100~240 VAC - 50/60 Hz
Color Temperature	2200K-6500K
CRI	>70
IP Class	IP66
Luminous Flux (lm)	26400lm~44500lm



ESL-25

ESL-25 is specially designed for long-range and highly mobile sea vehicles. It is a waterproof lighting solution suitable for challenging sea conditions. It is a reliable and efficient option for various maritime applications. Its wide and narrow beam options provide optimum visibility for sea vehicles.

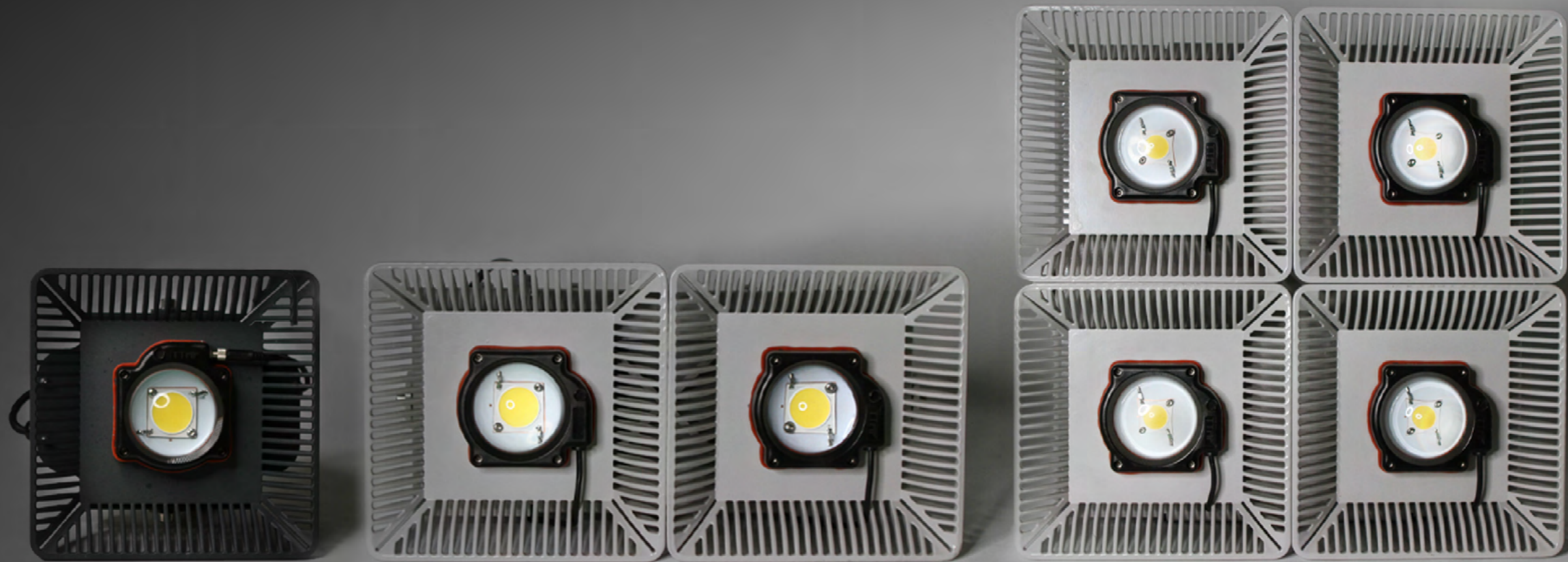


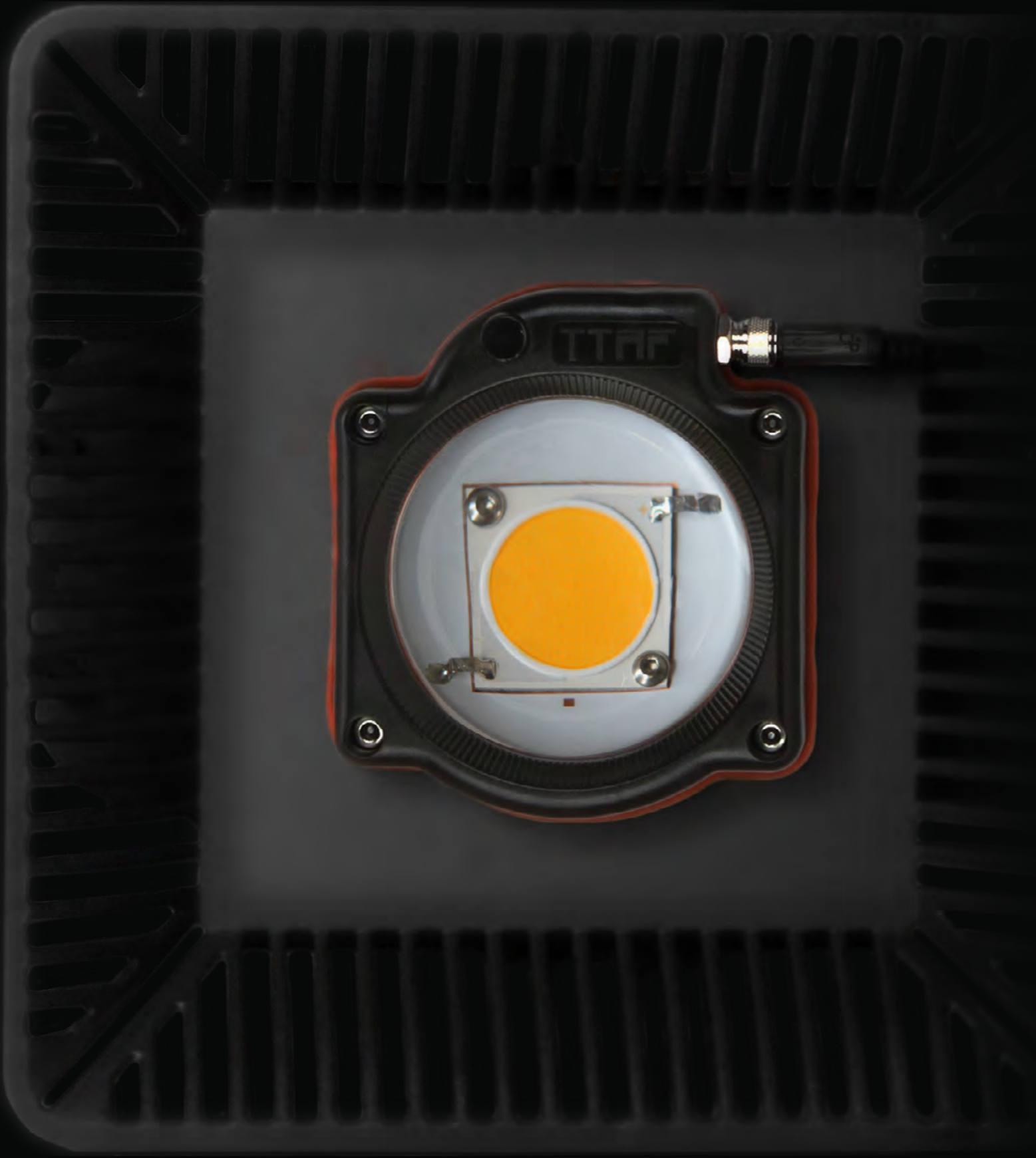
Body Material	Injection Aluminum
Lens Angle	20°, 45°, 60°, 90°, 120°, 160°
Power Consumption	320 W
Source of Light	Power LED
Operating Voltage	100~240 VAC
Color Temperature	7000 K
CRI	>70
IP Class	-
Luminous Flux (lm)	33740lm



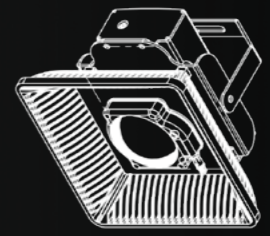
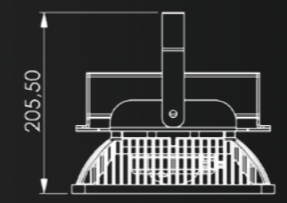
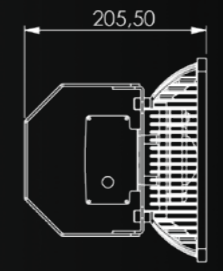
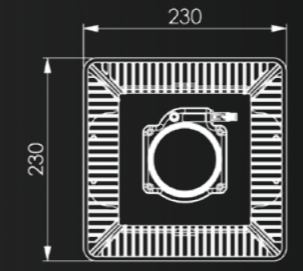
ESL-30

ESL-30 series is a versatile lighting solution for storage areas, construction sites, and high-ceilinged spaces. This series provides superior performance and a long lifespan with energy-efficient LED bulbs. The unique aluminum body profile and built-in thermal management system let the product stay cool and function at its best, even in the most challenging conditions. ESL-30 offers powerful and efficient solutions thanks to the Armageddon® lens that can be easily replaced. This series, with three different options, is designed to provide solutions for different needs.

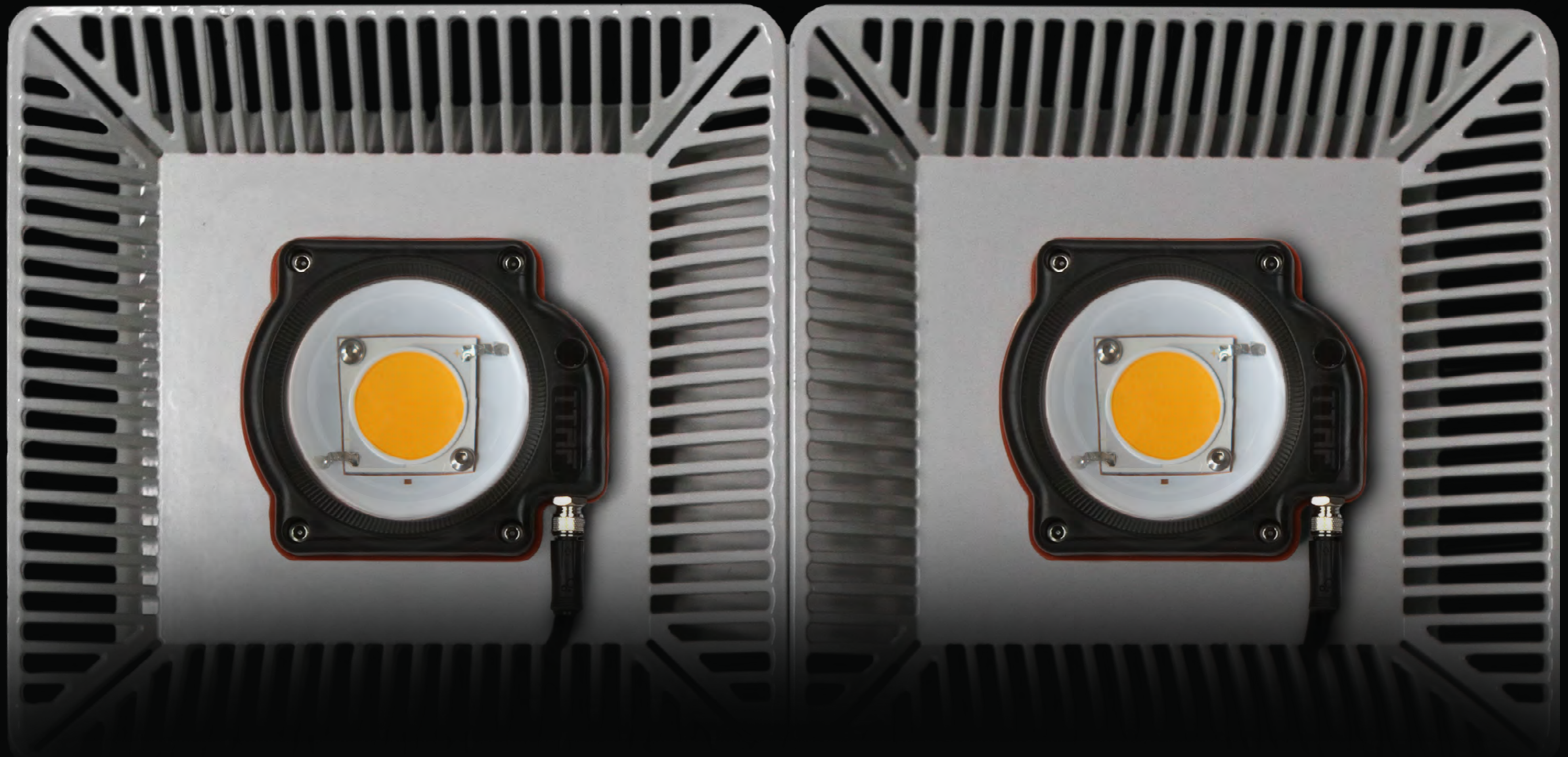




ESL-30



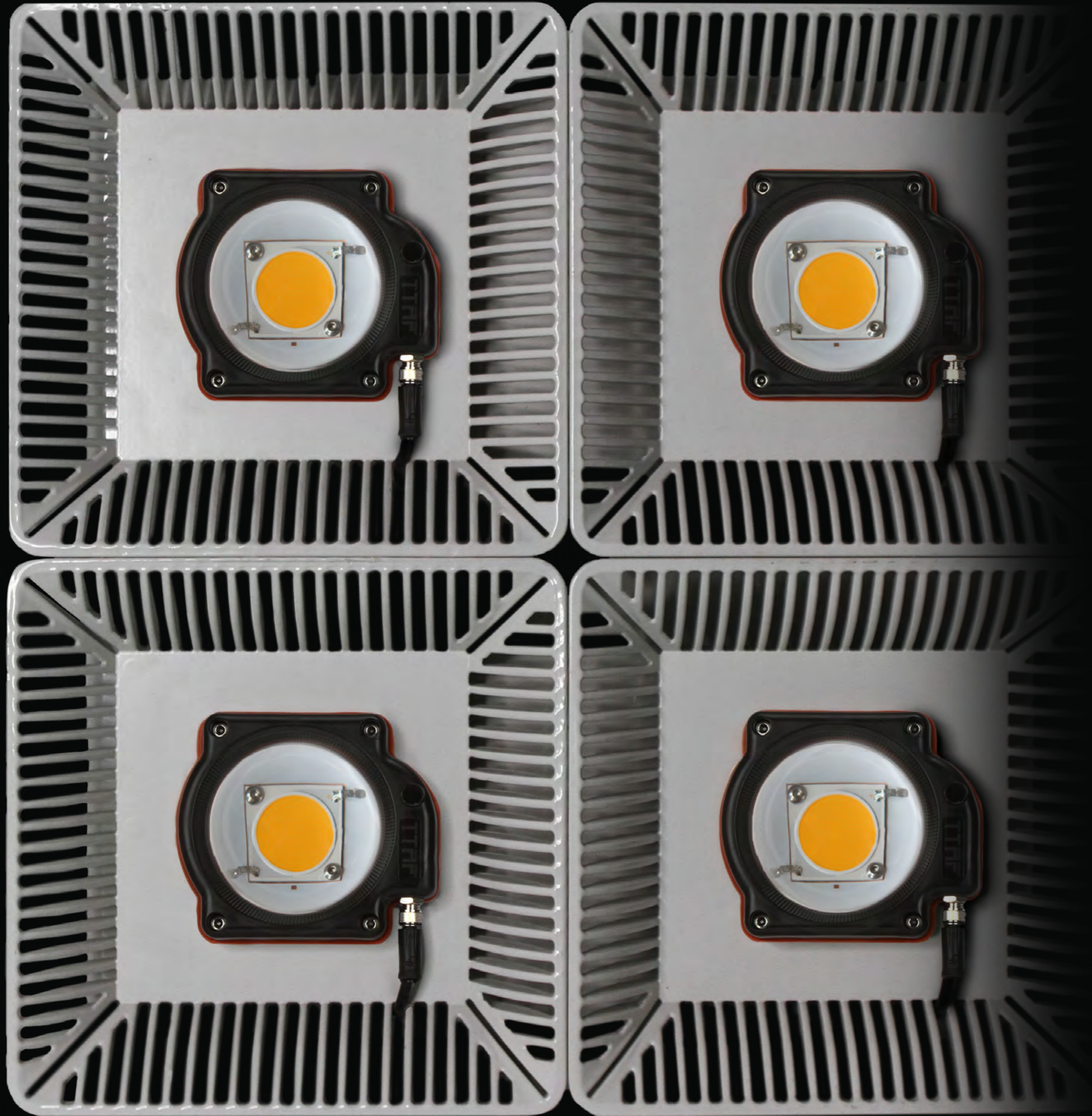
Body Material	Alüminyum Enjeksiyon
Lens Angle	20°, 45°, 60°, 90°, 120°, 160°
Power Consumption	45W-90W
Source of Light	Armageddon
Operating Voltage	100 ~240 VAC 50/60Hz
Color Temperature	2200K~6500K
CRI	>70
IP Class	IP66
Luminous Flux (lm)	6400lm~13250lm



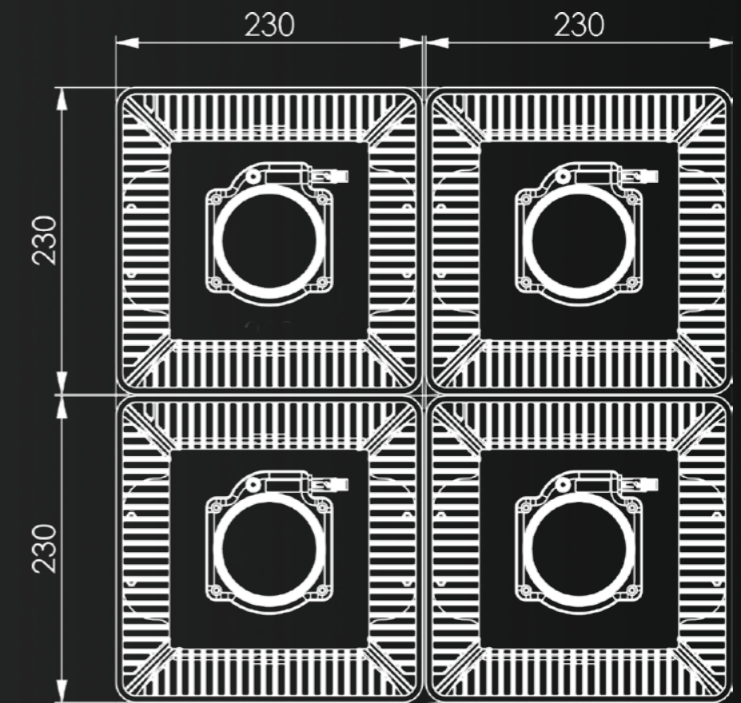
ESL-30

Body Material	Injection Aluminum
Lens Angle	20°, 45°, 60°, 90°, 120°, 160°
Power Consumption	45W-90W
Source of Light	Armageddon
Operating Voltage	100 ~240 VAC 50/60Hz
Color Temperature	2200K~6500K
CRI	>70
IP Class	IP66
Luminous Flux (lm)	6400lm~13250lm





ESL-30



Body Material	Injection Aluminum
Lens Angle	20°, 45°, 60°, 90°, 120°, 160°
Power Consumption	200W-320W
Source of Light	Armageddon
Operating Voltage	100 ~240 VAC 50/60Hz
Color Temperature	2200K~6500K
CRI	>70
IP Class	IP66
Luminous Flux (lm)	6400lm~13250lm

ESL-30

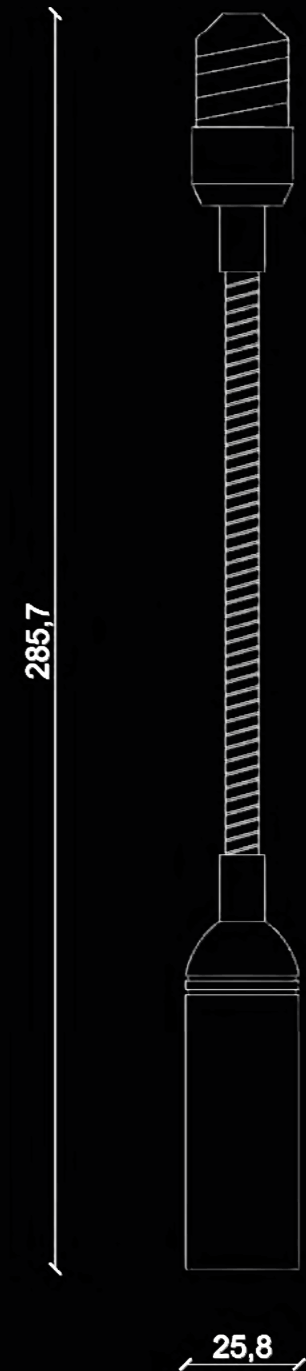


MINI GOBO

Mini GOBO Projector is designed to project images like text and logos onto any surface easily. It is an ideal option for indoor use in places such as stores, restaurants, offices, and event venues. Insert the mini lens with the printed image, adjust the focus and size, and it will be ready for use. Mini GOBO is a versatile and easy-to-use projector that allows for different needs in different areas.



TTAF[®]
Lighting Technologies

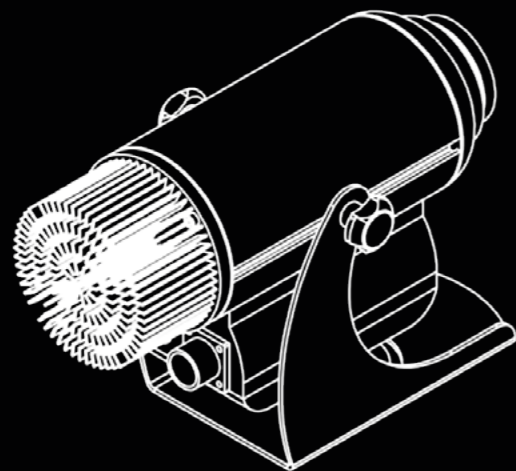
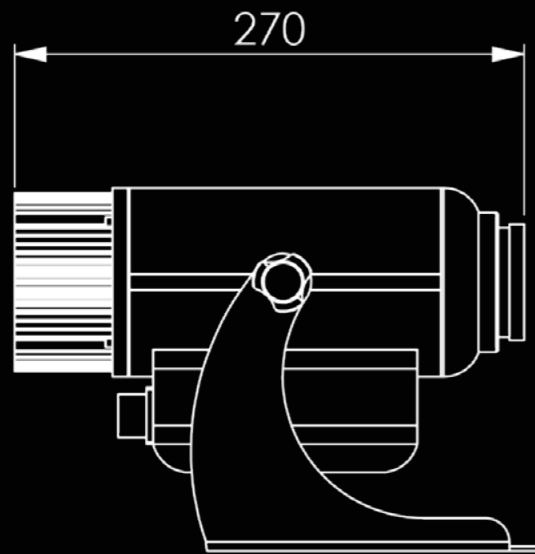


Body Material	Aluminum
Lens Angle	25° (L=3m Ø:1,4m)
Power Consumption	5 W
Source of Light	High Power LED
Operating Voltage	120 ~ 240 VAC
Color Temperature	6500K
CRI	>70
IP Class	IP55
Luminous Flux (lm)	400cd

GOBO

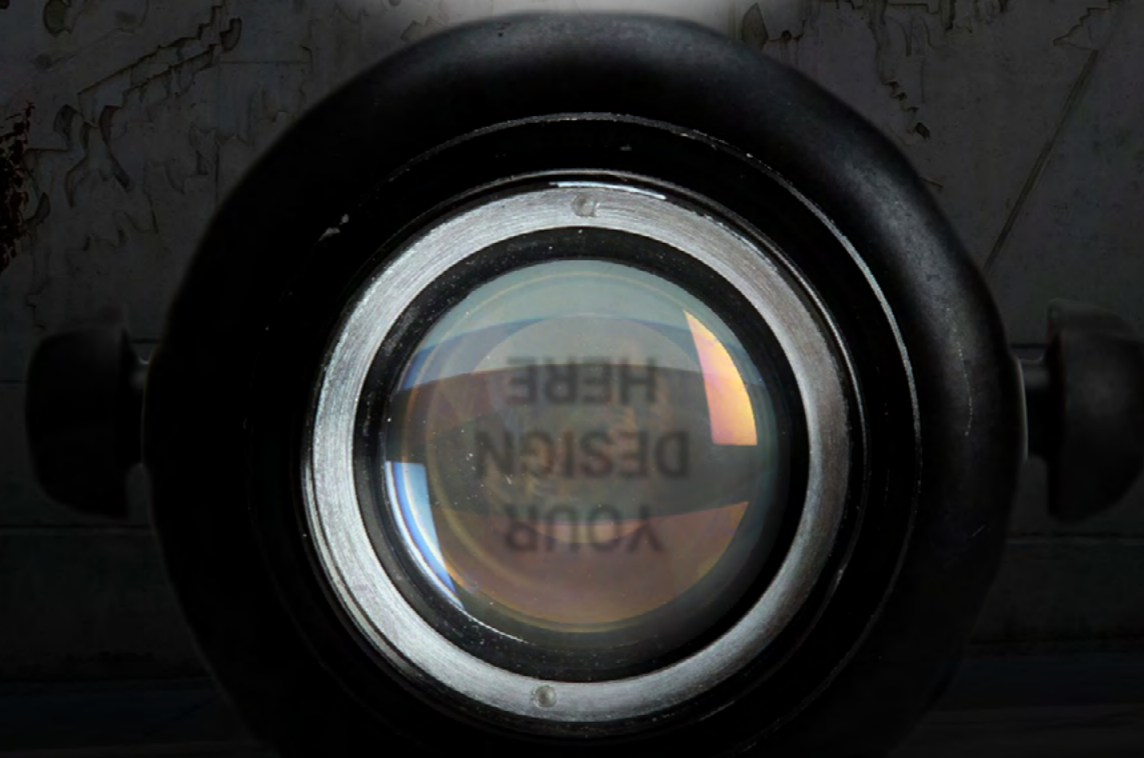
GOBO Projector is a versatile and customizable projector that can meet various needs. Its unique lens enables the long-range projection of text, logos, designs, or images onto surfaces up to 30 meters away, making it a suitable choice for indoor and outdoor use. The included carrying case makes it easy to transport. GOBO Projector is highly durable in harsh weather conditions, making it an excellent option for all environments. Its simple and customizable features make it a practical and creative choice for all your projection needs.





**YOUR
DESIGN
HERE**

Body Material	Anodized Aluminum
Lens Angle	18°
Power Consumption	45W
Source of Light	COB LED
Operating Voltage	120 ~ 240 VAC
Color Temperature	5000K
CRI	>70
IP Class	IP65
Luminous Flux (lm)	8000 cd

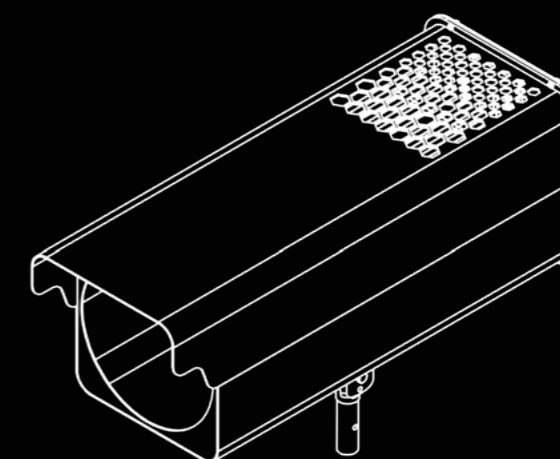
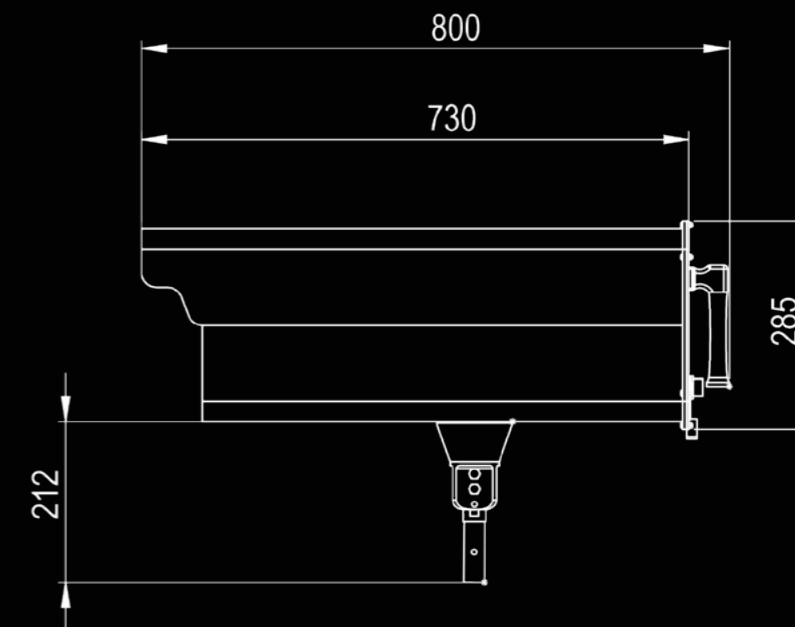






LARGE GOBO

Large GOBO Projector is equipped with a specialized lens that enables the projection of text, logos, designs, and images up to 100 meters away, making it a versatile projector solution for indoor and outdoor settings. Its user-friendly interface ensures easy operation, while its sturdy construction enables it to withstand harsh weather conditions. The projector has a carrying case, making it convenient to transport and store. With its advanced technology, versatility, and ease of use, Large GOBO Projector is the perfect choice for your projection needs.



Body Material	Aluminum
Lens Angle	18° (L=10m Ø:3,10m)
Power Consumption	370W
Source of Light	COB LED
Operating Voltage	120 ~ 240 VAC
Color Temperature	8500K
CRI	>70
IP Class	IP65
Luminous Flux (lm)	50000 cd



TODAY, TOMORROW
AND
FOREVER...

