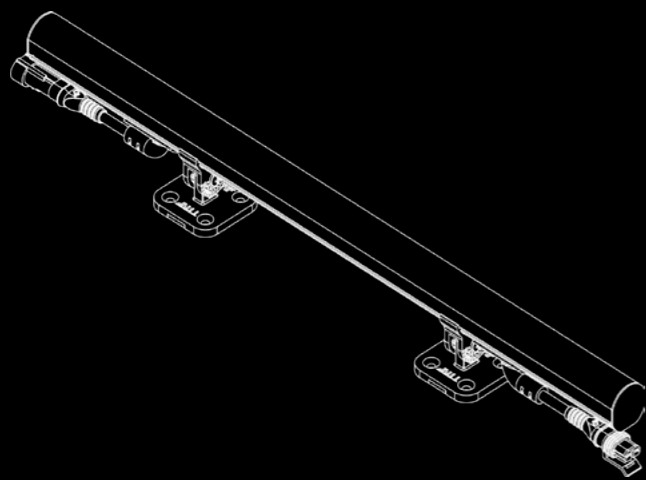


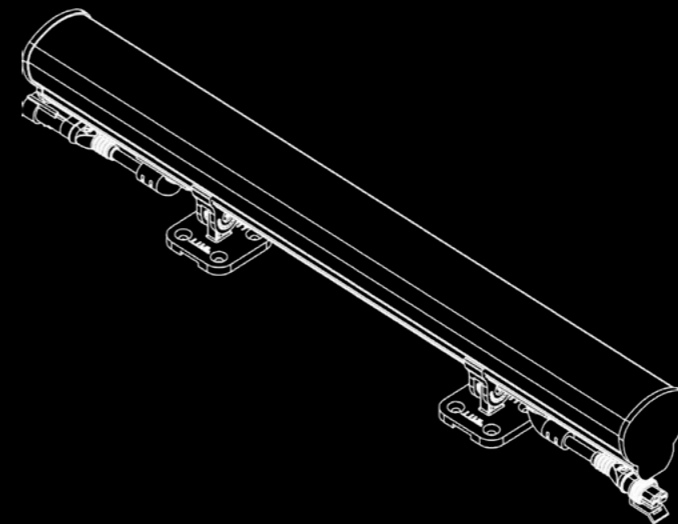
TTAF® | *Volans*® | 2023 v1



TODAY, TOMORROW AND FOREVER...



01 / VOLANS®v1

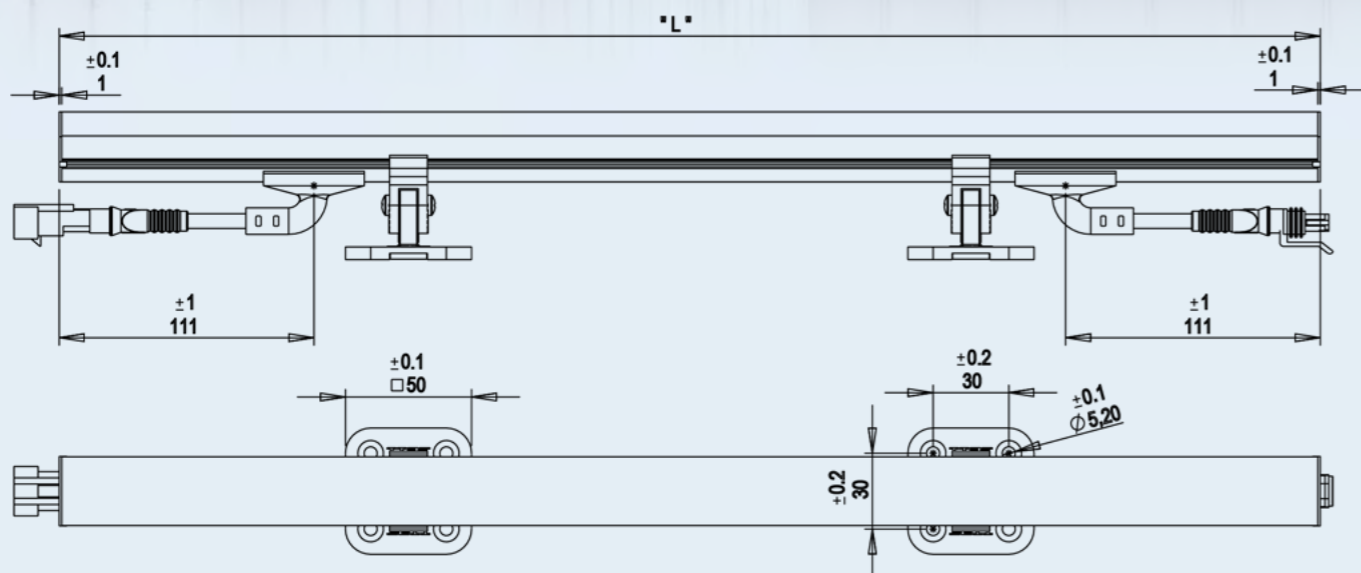


02 / VOLANS®v2

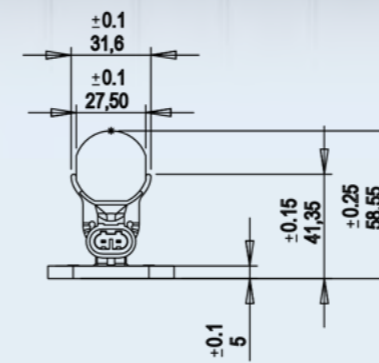


Volans® v1

Volans® easily adapts to any environment thanks to its aerodynamic profile design and lightness. It provides a long-lasting LED lighting solution that can be mounted directly on surfaces. Its complete solutions, including control mechanism, remote management, modular structure, IP67 connector and adjustable feet, provide an easy-to-use experience to the user. Volans® saves energy as well as powerful lighting. In addition, Volans, which has a polycarbonate body to be resistant to wind, rain, dust and heat, can be used safely for many years. With all these features, Volans® is one of the most innovative and sustainable LED lighting solutions in the industry. The difference between Volans® v1 and v2 is the size difference.



6



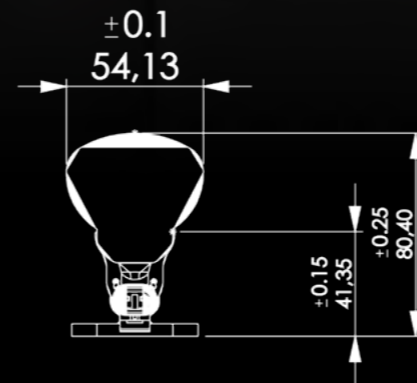
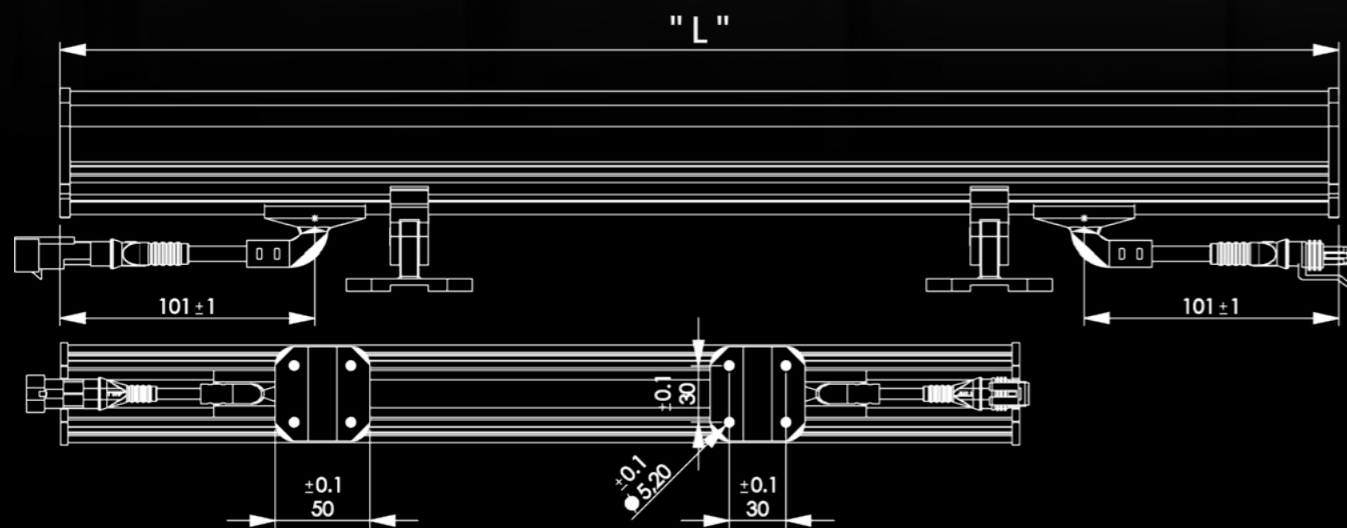
7

Body Material	Polycarbonate
Lens Angle	117°
Power Consumption	16.5W, 18W, 24W
Source of Light	LED
Operating Voltage	24V, 36V, 220V
Color Temperature	2700K~6500K
CRI	>80
IP Class	IP67
Luminous Flux (lm)	630 lm~2472 lm

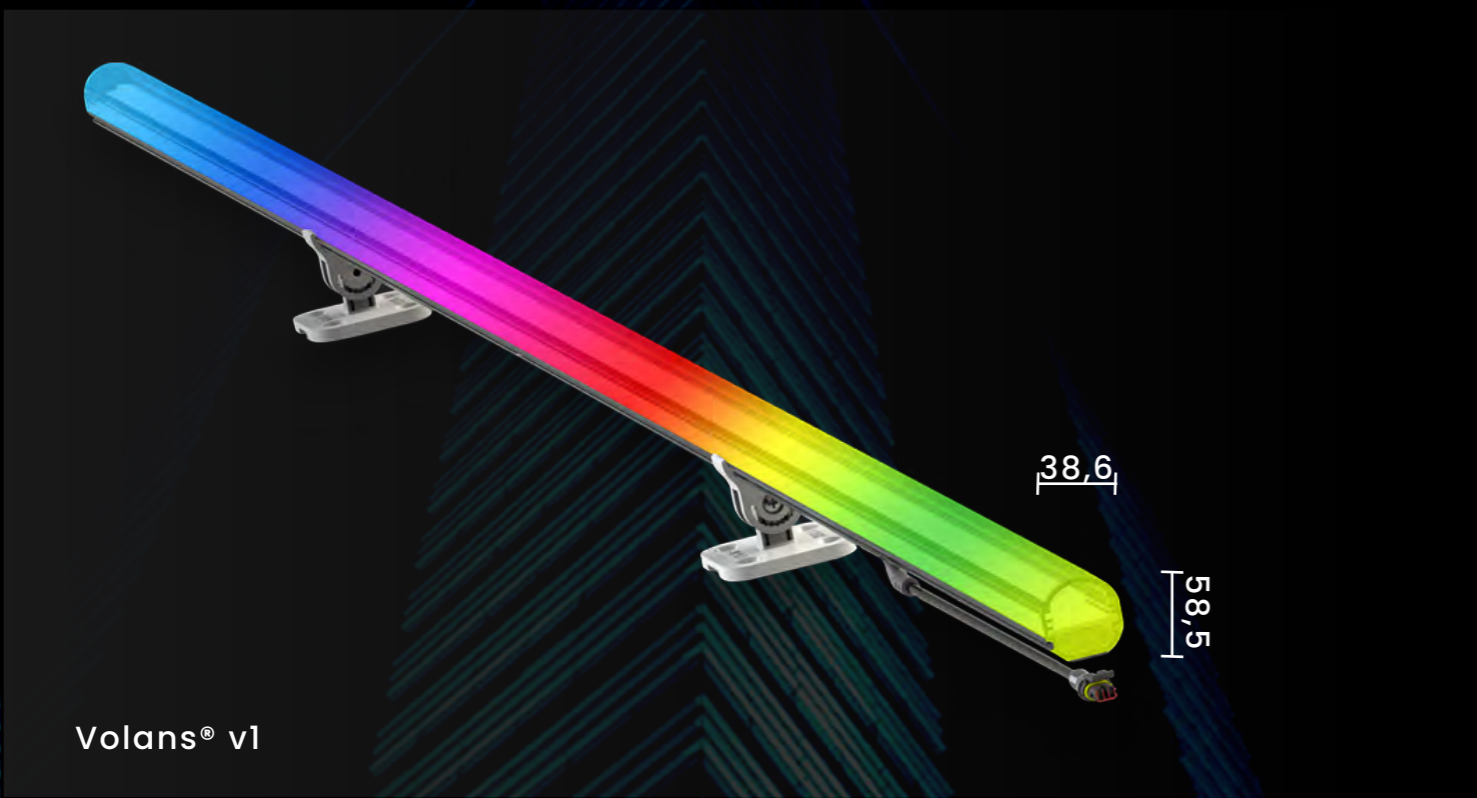


Volans® v2

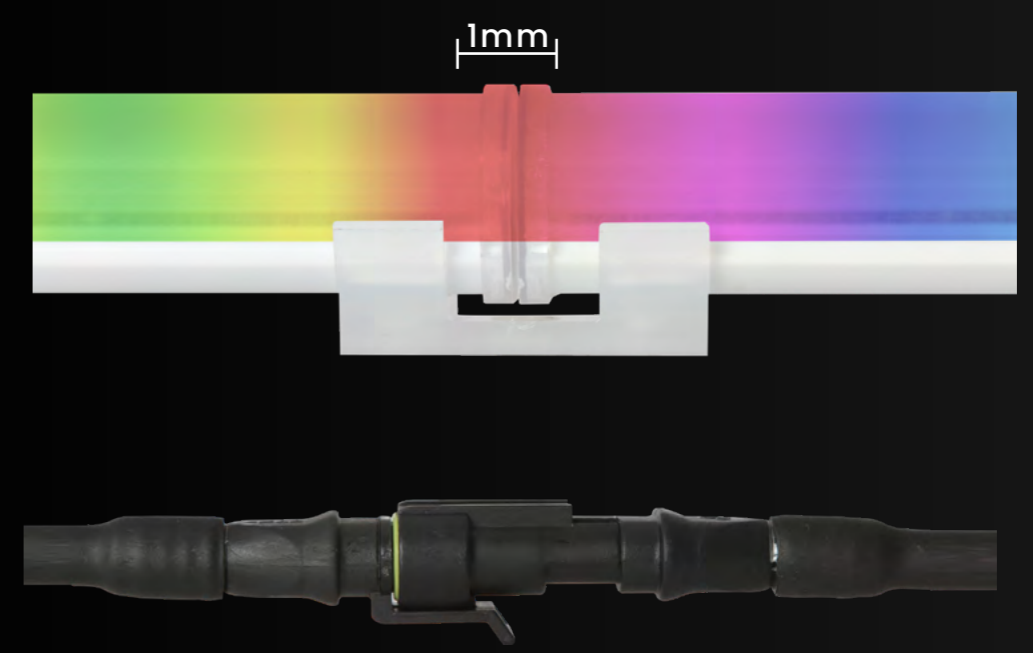
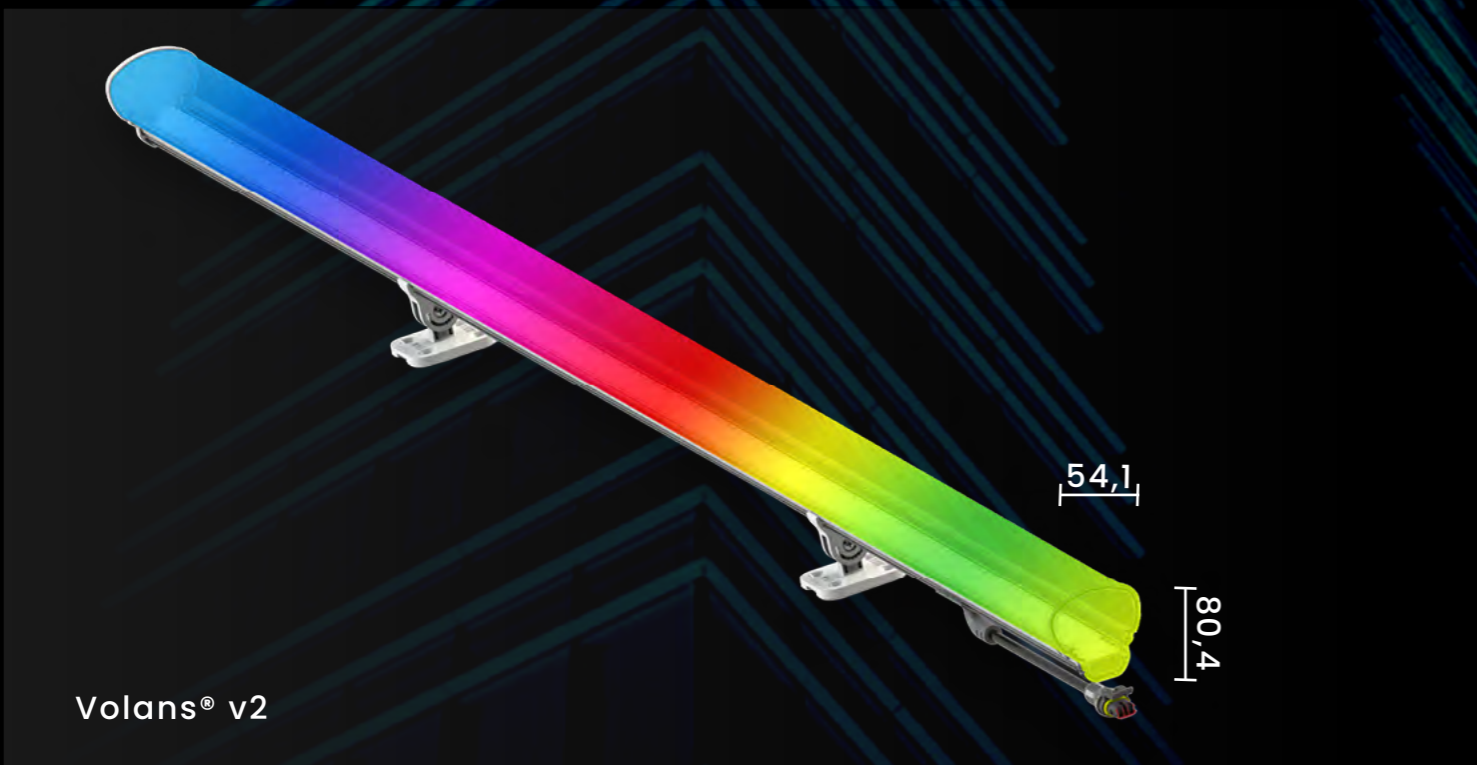
Volans® can be easily applied to any space thanks to its aerodynamic profile design and lightness. It provides a long-lasting LED lighting solution that can be mounted directly on surfaces. With its complete solutions including controllers, remote management, modular structure, IP67 connector and adjustable feet, Volans® provides an easy-to-use experience to the user. Volans® provides energy saving as well as powerful lighting. In addition, Volans®, which has a polycarbonate body to be resistant to wind, rain, dust and heat, provides long-lasting illumination and maximum efficiency thanks to its high light transmittance. Volans®, coated with magnetic materials, has an easy assembly feature in indoor applications. A first mounting option with neodymium magnets is also available. With all these features, Volans® is one of the most innovative and sustainable LED lighting solutions in the industry. The difference between Volans® v1 and v2 is the size difference.



Body Material	Polycarbonate
Lens Angle	117°
Power Consumption	16.5W, 18W, 24W
Source of Light	LED
Operating Voltage	24V, 36V, 220V
Color Temperature	2700K~6500K
CRI	>80
IP Class	IP67
Luminous Flux (lm)	789lm~ 1722lm

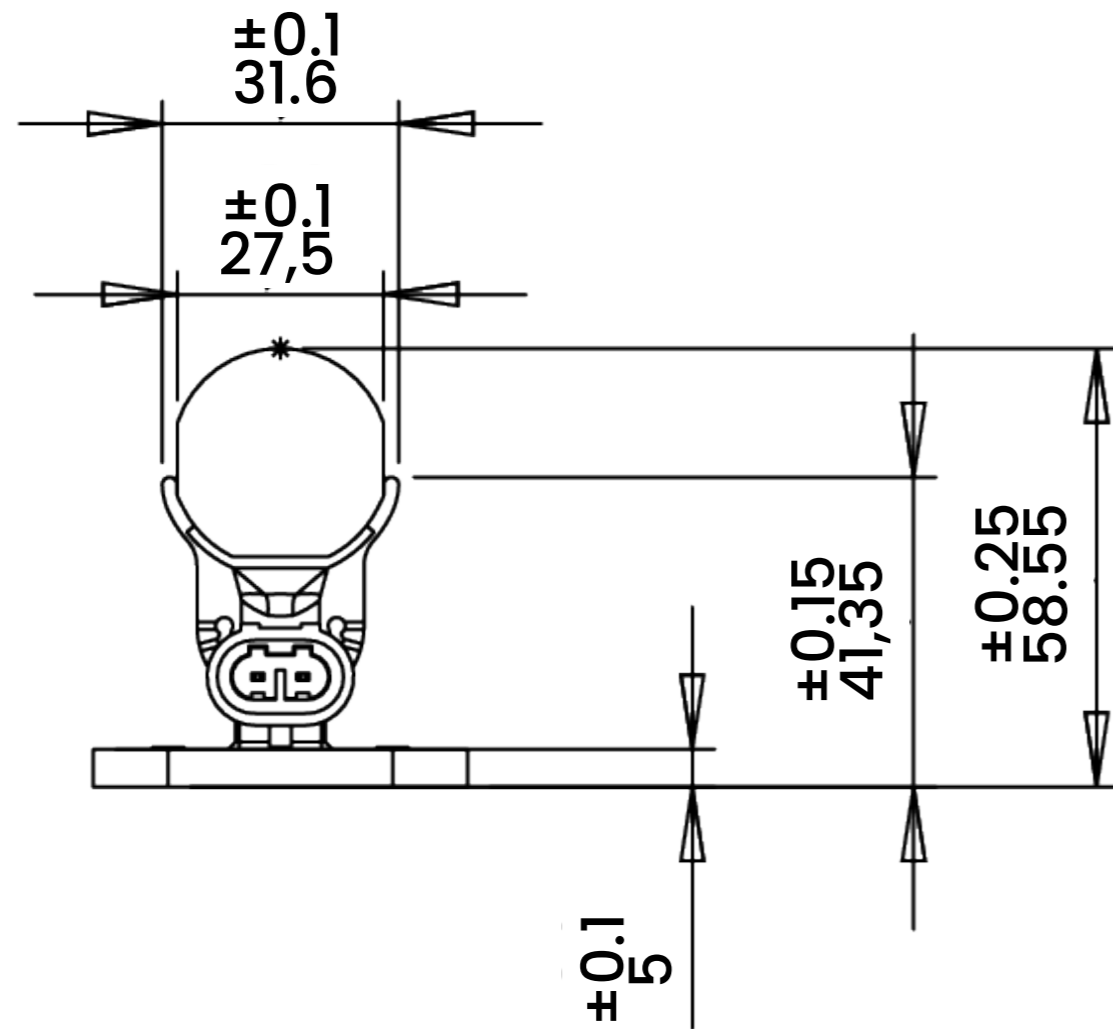


Volans® offers 2 different mounting options thanks to its screwed and magnetic connection feet. Thanks to the neodymium magnets used in the mounting options, it provides an easy mounting feature in indoor applications coated with magnetic materials (iron, nickel, cobalt).

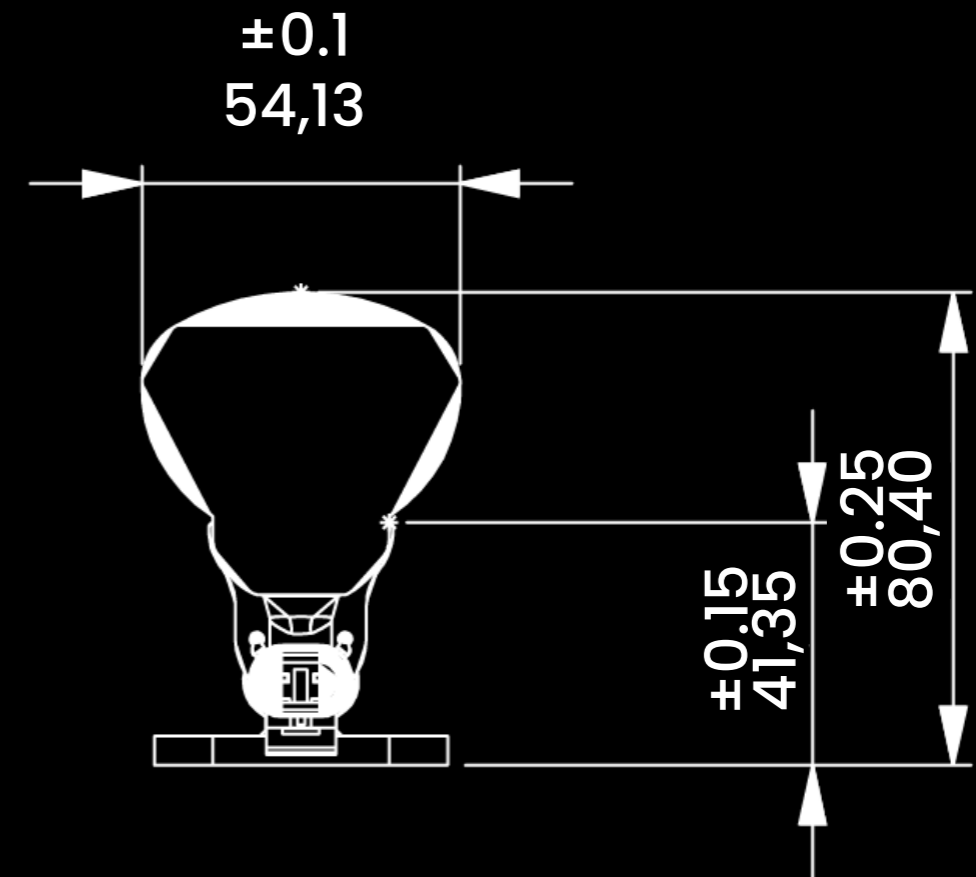


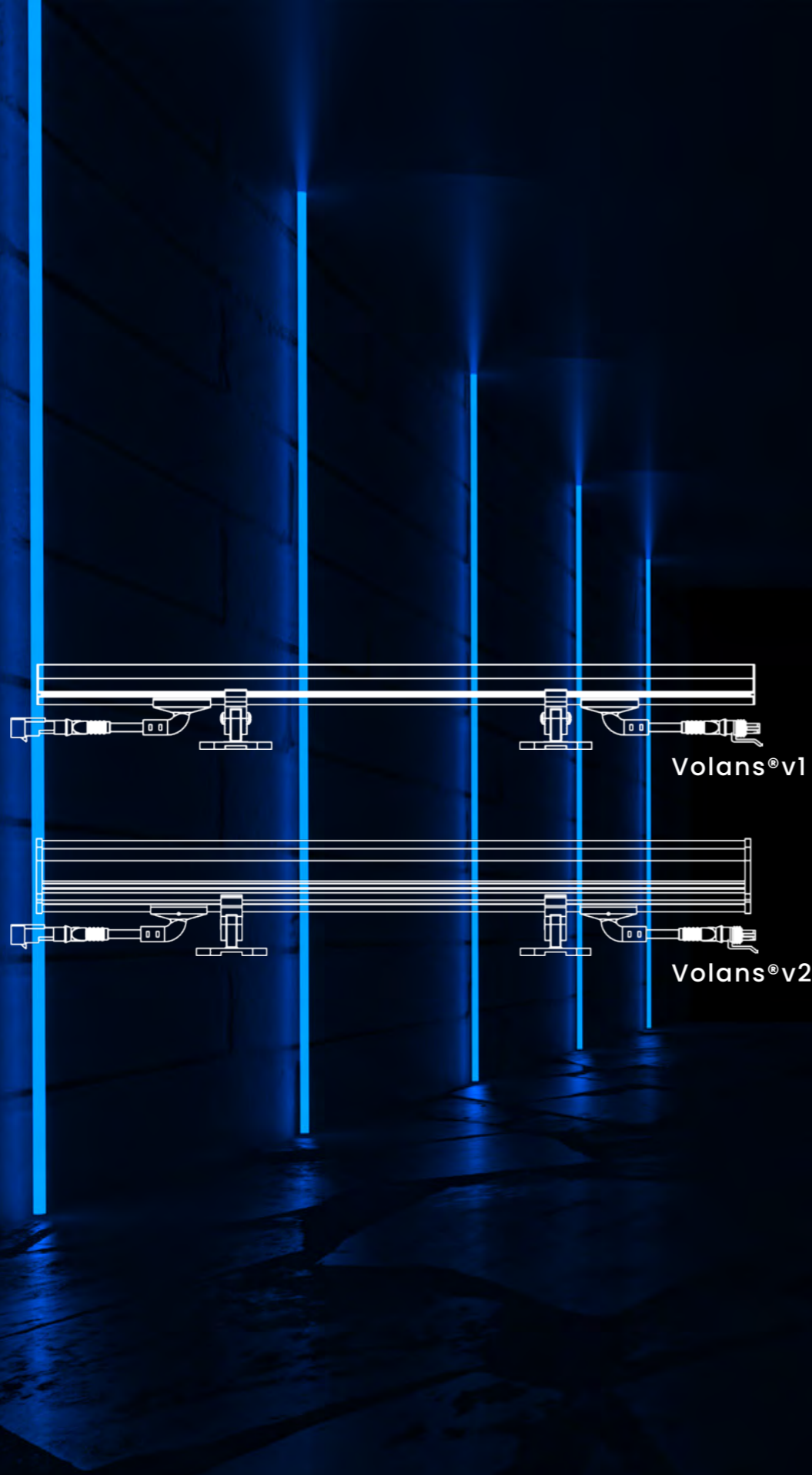
Key elements such as Volans® polycarbonate body, IP67-standard connectors and connection apparatus overcome tough conditions. The 1mm-thin design of the transparent end caps continues the light passage uninterrupted. Thus, it does not create dark areas and makes it appear as one piece for meters.

VOLANS[®]v1



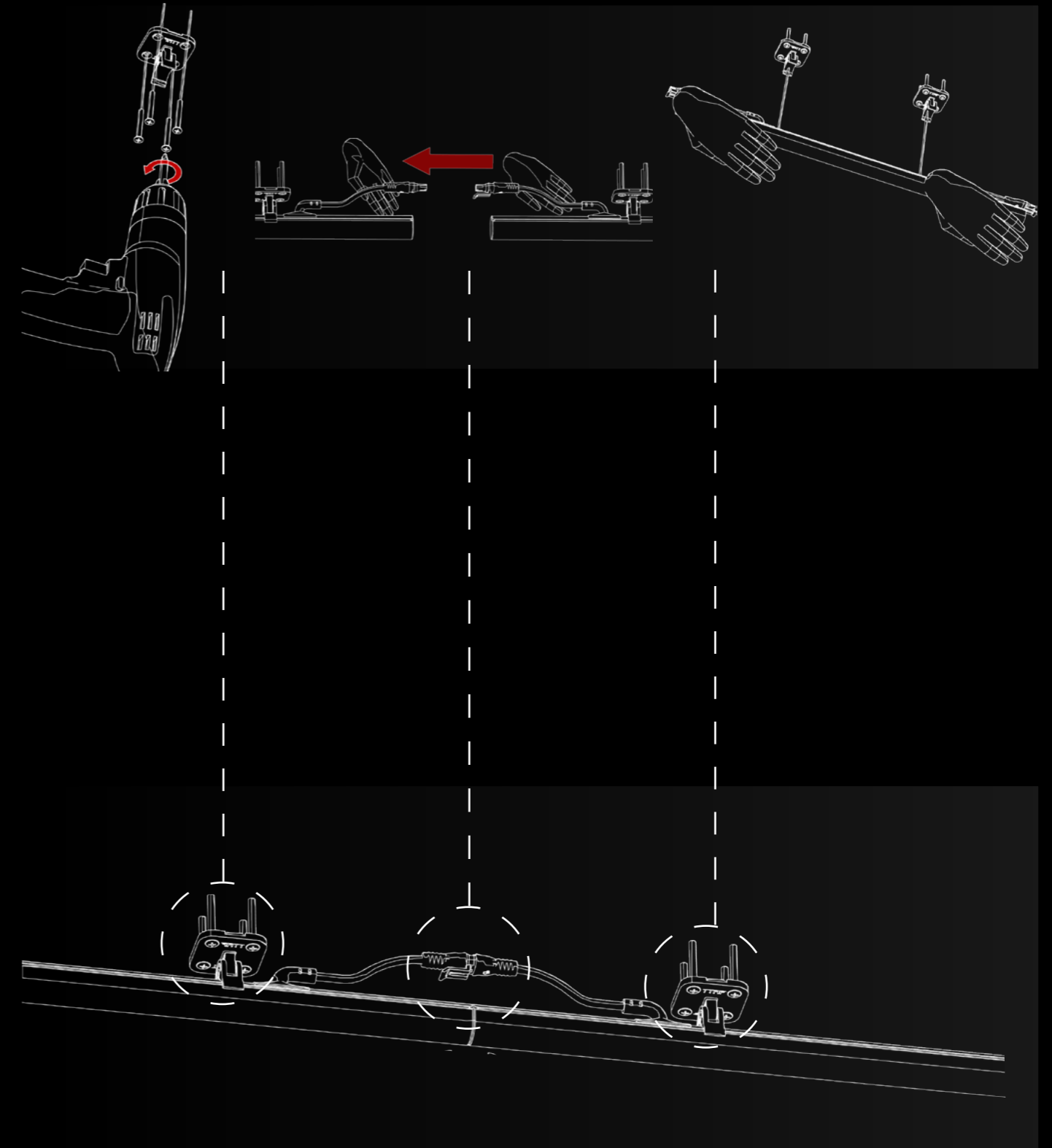
VOLANS[®]v2





Volans®v1

Volans®v2



Volans®v1(24v) : can be produced from 300mm to 3000mm.
Volans®v2(24v) : can be produced from 300mm to 3000mm.
Volans®v1(220v) : can be produced from 500mm to 3000mm.
Volans®v2(220v): can be produced from 500mm to 3000mm.

TODAY, TOMORROW
AND
FOREVER...

